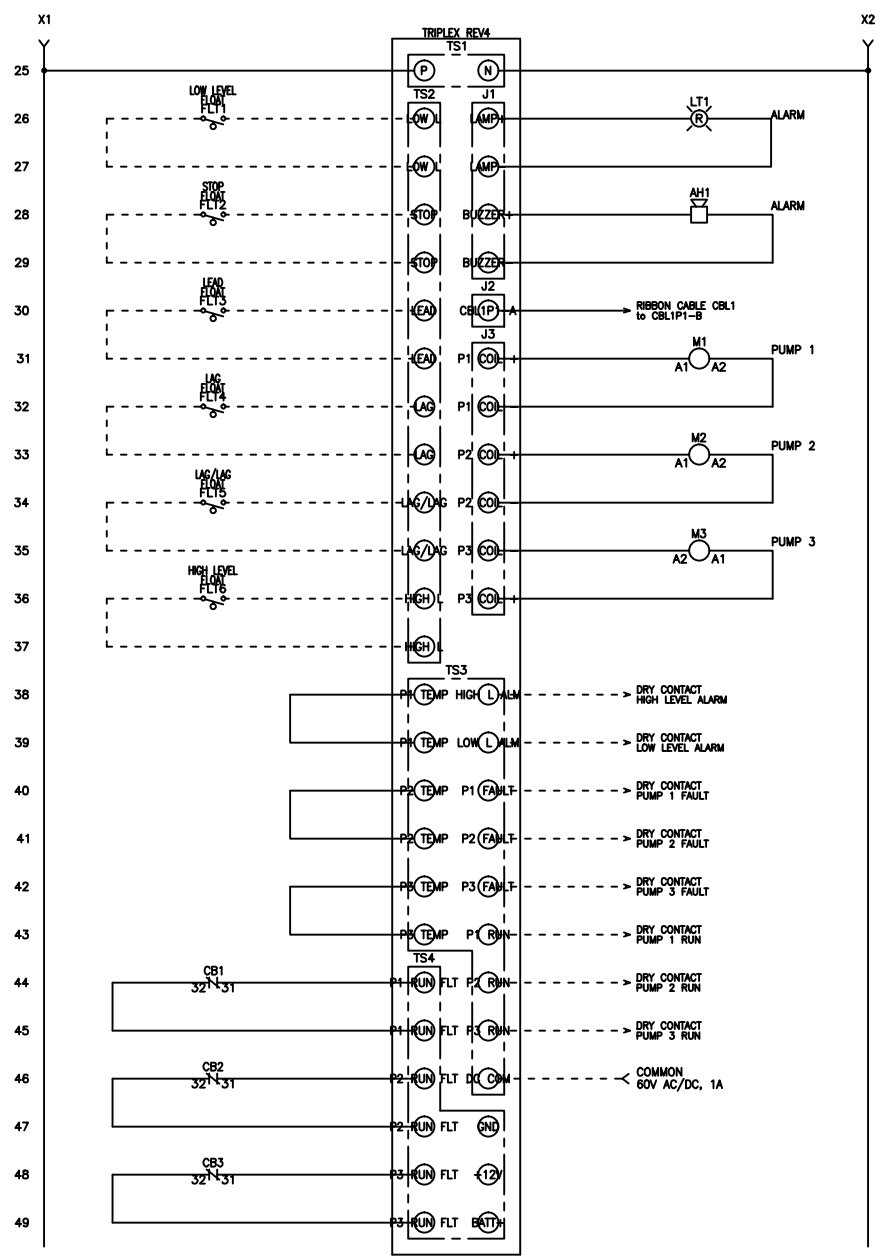
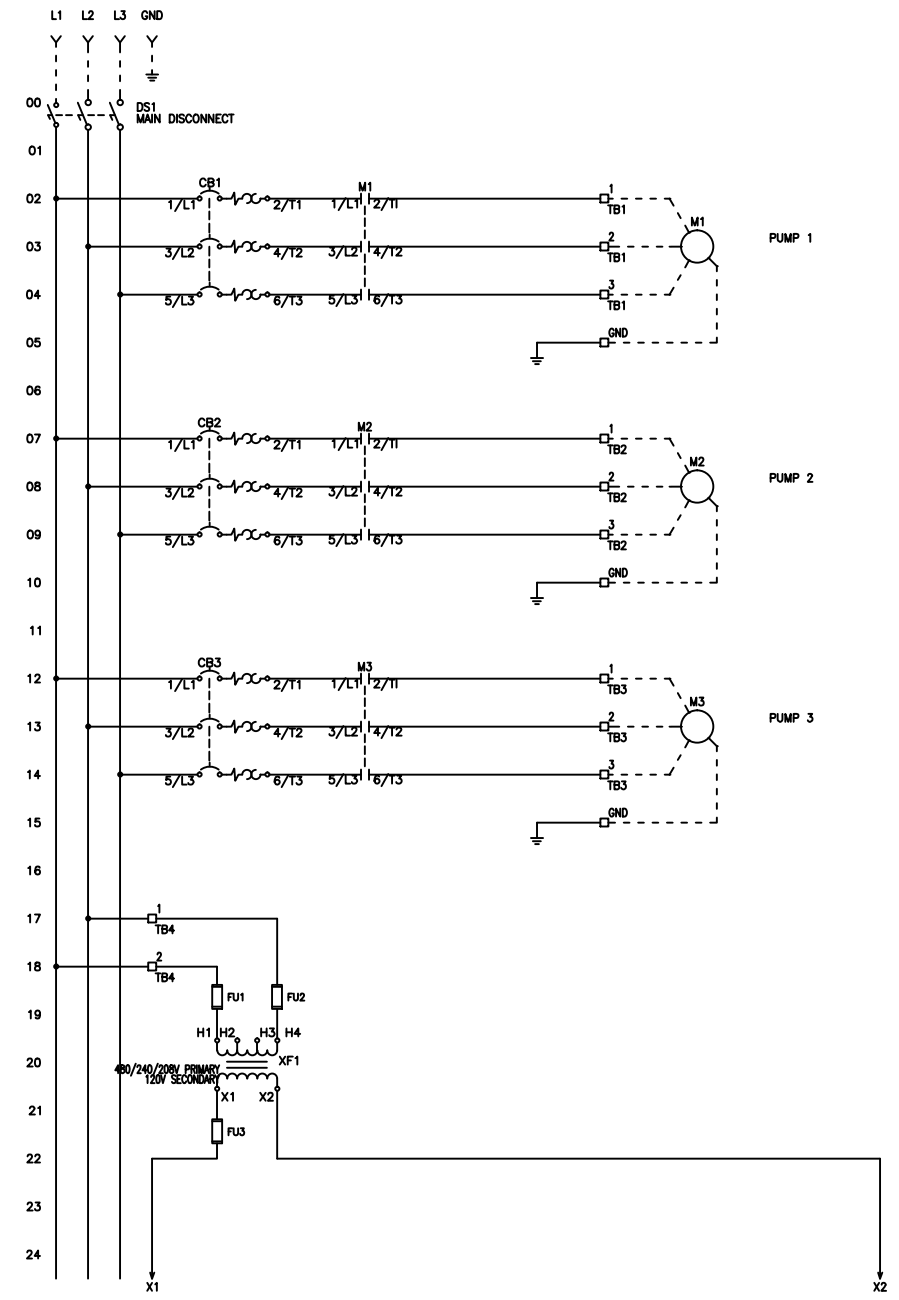


FNAME: WT3P-6-X
REVDATE: 0617

| REVISIONS | | | | |
|-----------|-----|----------------------|--------|----------|
| ZONE | REV | DESCRIPTION | DATE | APPROVED |
| | A | UPDATED INSTRUCTIONS | 6/2/17 | |



MULTITAP TRANSFORMER INSTRUCTIONS:

CONNECT FACTORY TAGGED WIRES TO APPROPRIATE TRANSFORMER VOLTAGE TAP. SEE BELOW FOR CONNECTIONS:

FOR 208V OPERATION, CONNECT TO FUSE INPUT HF & TO TRANSFORMER TAP H2

FOR 240V OPERATION, CONNECT TO FUSE INPUT HF & TO TRANSFORMER TAP H3

FOR 480V OPERATION, CONNECT TO FUSE INPUT HF & TO TRANSFORMER TAP H4

----- DASHED LINE INDICATES FIELD WIRING.

USE COPPER CONDUCTORS ONLY.

TEMPERATURE RATING OF CONDUCTORS IS TO BE 60°C (167°F).

BRANCH CIRCUIT PROTECTION SHALL BE PROVIDED BY THE INSTALLER; MUST BE SIZED ACCORDING TO PUMP/MOTOR MANUFACTURING SPECIFICATIONS.

VERIFY CORRECT OPERATION OF CONTROL PANEL AFTER INSTALLATION IS COMPLETE.

DRAWN BY: KJ
DATE: 4/18/17

APPROVED BY: _____
DATE: _____



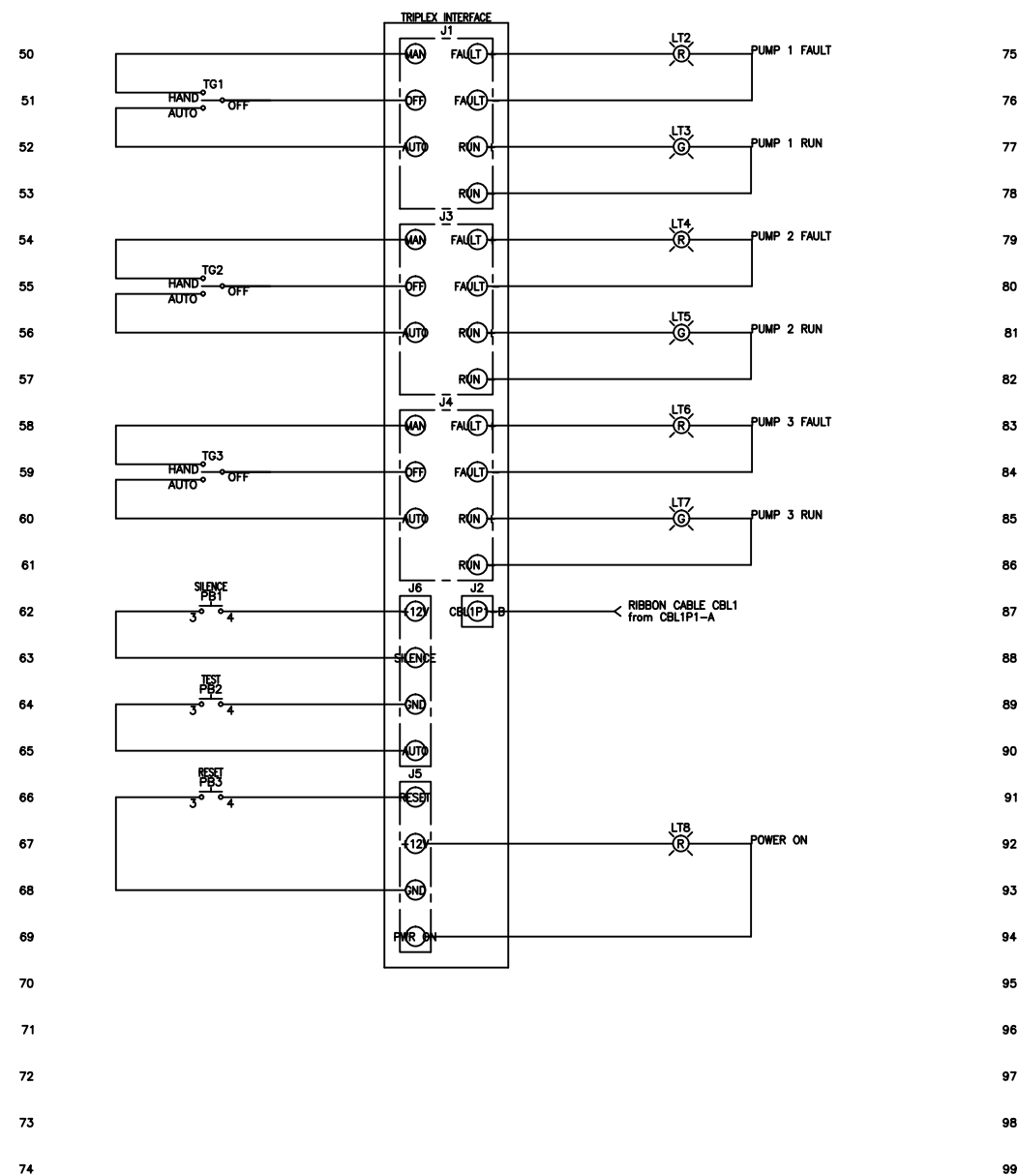
THIS DRAWING CONTAINS PROPRIETARY INFORMATION AND SHALL NOT BE USED OR DISCLOSED WITHOUT PRIOR WRITTEN AUTHORIZATION.

| | | | | |
|-----------------------------------|--------------|-------------------|-------|--|
| TITLE: WT3P-6-X CONTROL SCHEMATIC | | | | |
| SIZE B | DWG NO. 1616 | PART NO. WT3P-6-X | REV A | |
| SCALE NONE | | SHEET 1 OF 2 | | |

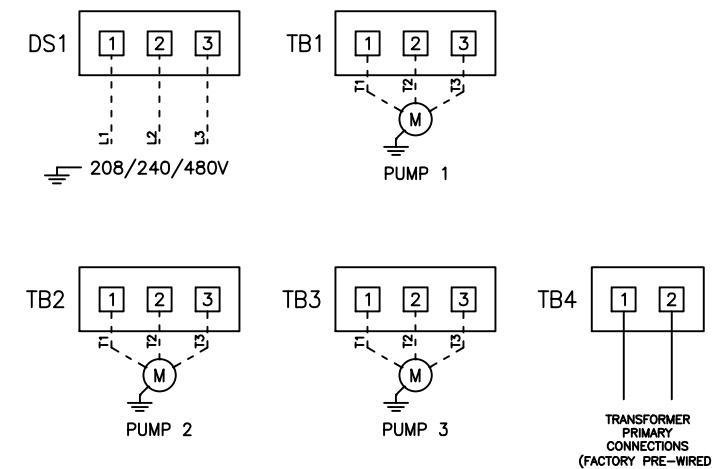
FNAME: WT3P-6-X

REVDATE: 0617

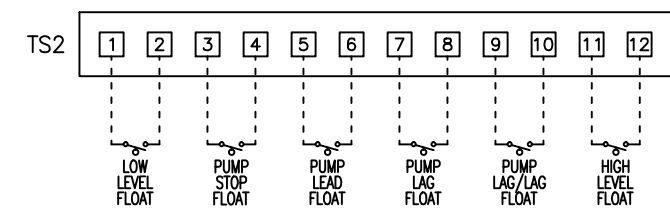
| REVISIONS | | | | |
|-----------|-----|----------------------|--------|----------|
| ZONE | REV | DESCRIPTION | DATE | APPROVED |
| | A | UPDATED INSTRUCTIONS | 6/2/17 | |



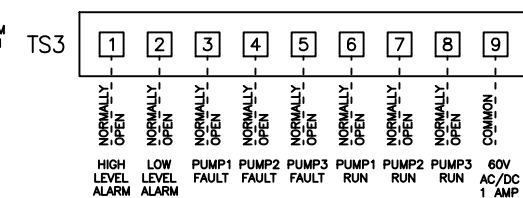
FIELD WIRING CONNECTIONS



TS2 PINOUT
 PIN 1: LOW L
 PIN 2: LOW L
 PIN 3: STOP
 PIN 4: STOP
 PIN 5: LEAD
 PIN 6: LEAD
 PIN 7: LAG
 PIN 8: LAG
 PIN 9: LAG/LAG
 PIN 10: LAG/LAG
 PIN 11: HIGH L
 PIN 12: HIGH L



TS3 PINOUT
 PIN 1: HIGH L ALM
 PIN 2: LOW L ALM
 PIN 3: P1 FAULT
 PIN 4: P2 FAULT
 PIN 5: P3 FAULT
 PIN 6: P1 RUN
 PIN 7: P2 RUN
 PIN 8: P3 RUN
 PIN 9: COMMON



MULTITAP TRANSFORMER INSTRUCTIONS:

CONNECT FACTORY TAGGED WIRES TO APPROPRIATE TRANSFORMER VOLTAGE TAP. SEE BELOW FOR CONNECTIONS:

FOR 208V OPERATION, CONNECT TO FUSE INPUT HF & TO TRANSFORMER TAP H2

FOR 240V OPERATION, CONNECT TO FUSE INPUT HF & TO TRANSFORMER TAP H3

FOR 480V OPERATION, CONNECT TO FUSE INPUT HF & TO TRANSFORMER TAP H4

----- DASHED LINE INDICATES FIELD WIRING.

USE COPPER CONDUCTORS ONLY.

TEMPERATURE RATING OF CONDUCTORS IS TO BE 60°C (167°F).

BRANCH CIRCUIT PROTECTION SHALL BE PROVIDED BY THE INSTALLER; MUST BE SIZED ACCORDING TO PUMP/MOTOR MANUFACTURING SPECIFICATIONS.

VERIFY CORRECT OPERATION OF CONTROL PANEL AFTER INSTALLATION IS COMPLETE.

| | |
|--------------|---------|
| DRAWN BY: | DATE: |
| KJ | 4/18/17 |
| APPROVED BY: | DATE: |



TITLE: WT3P-6-X CONTROL SCHEMATIC

THIS DRAWING CONTAINS PROPRIETARY INFORMATION AND SHALL NOT BE USED OR DISCLOSED WITHOUT PRIOR WRITTEN AUTHORIZATION.

| | | | |
|-------|---------|----------|--------|
| SIZE | DWG NO. | PART NO. | REV |
| B | 1616 | WT3P-6-X | A |
| SCALE | NONE | SHEET | 2 OF 2 |