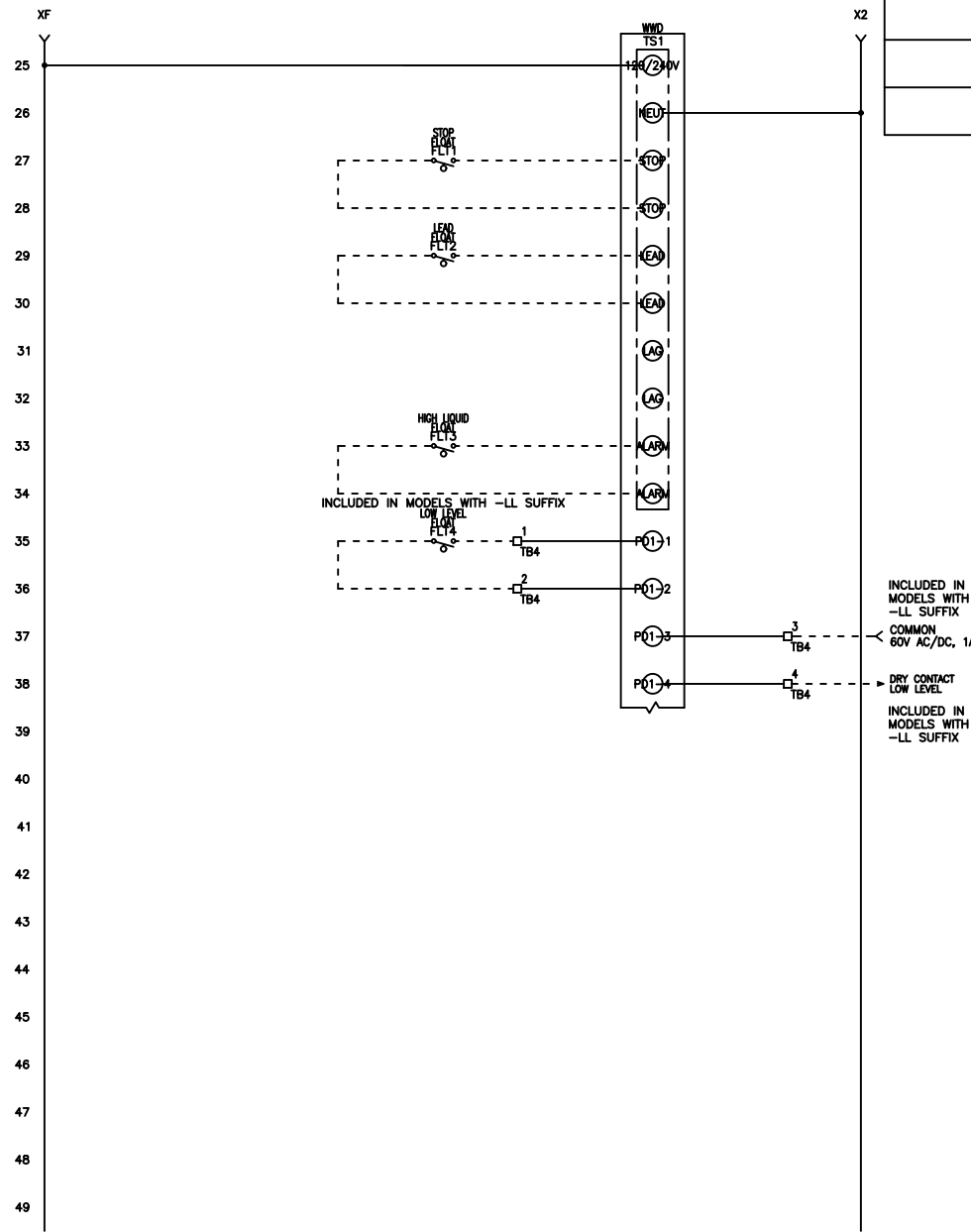
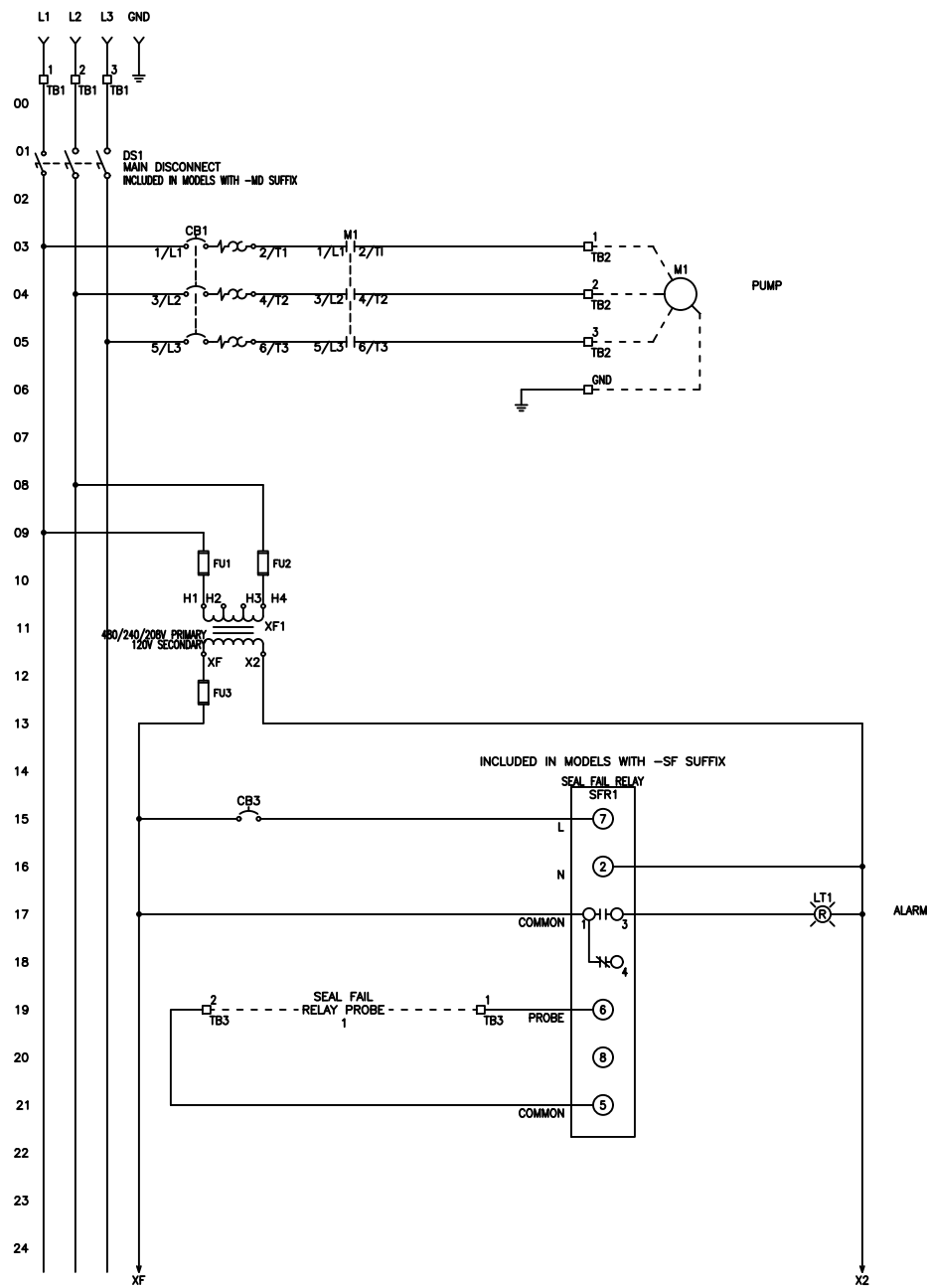


FNAME: WS3P-TP-300X

REVDATE: 0618



REVISIONS				
ZONE	REV	DESCRIPTION	DATE	APPROVED
	A	ADDITION OF OPTIONAL SEAL FAIL RELAY	1/11/15	
	B	ADDITION OF OPTIONAL LOW LEVEL ALARM	5/2/16	
	C	UPDATED INSTRUCTIONS	5/24/17	
	D	REVISED CB1 AND UPDATED POWER ON LIGHT	9/21/17	
	E	REVISED SEAL FAIL RELAY AND SPLIT TB1	2/23/18	
	F	ADDITION OF CB2	6/26/18	
	G	Transformer Label X1 to XF	4/29/19	

MULTITAP TRANSFORMER INSTRUCTIONS:

CONNECT FACTORY TAGGED WIRES TO APPROPRIATE TRANSFORMER VOLTAGE TAP. SEE BELOW FOR CONNECTIONS:

FOR 208V OPERATION, CONNECT TO FUSE INPUT HF & TO TRANSFORMER TAP H2

FOR 240V OPERATION, CONNECT TO FUSE INPUT HF & TO TRANSFORMER TAP H3

FOR 480V OPERATION, CONNECT TO FUSE INPUT HF & TO TRANSFORMER TAP H4

----- DASHED LINE INDICATES FIELD WIRING.

USE COPPER CONDUCTORS ONLY.

TEMPERATURE RATING OF CONDUCTORS IS TO BE 60°C (167°F).

BRANCH CIRCUIT PROTECTION SHALL BE PROVIDED BY THE INSTALLER. MUST BE SIZED ACCORDING TO PUMP/MOTOR MANUFACTURING SPECIFICATIONS.

VERIFY CORRECT OPERATION OF CONTROL PANEL AFTER INSTALLATION IS COMPLETE.

DRAWN BY:	DATE:
KJ	11/1/14
APPROVED BY:	DATE:

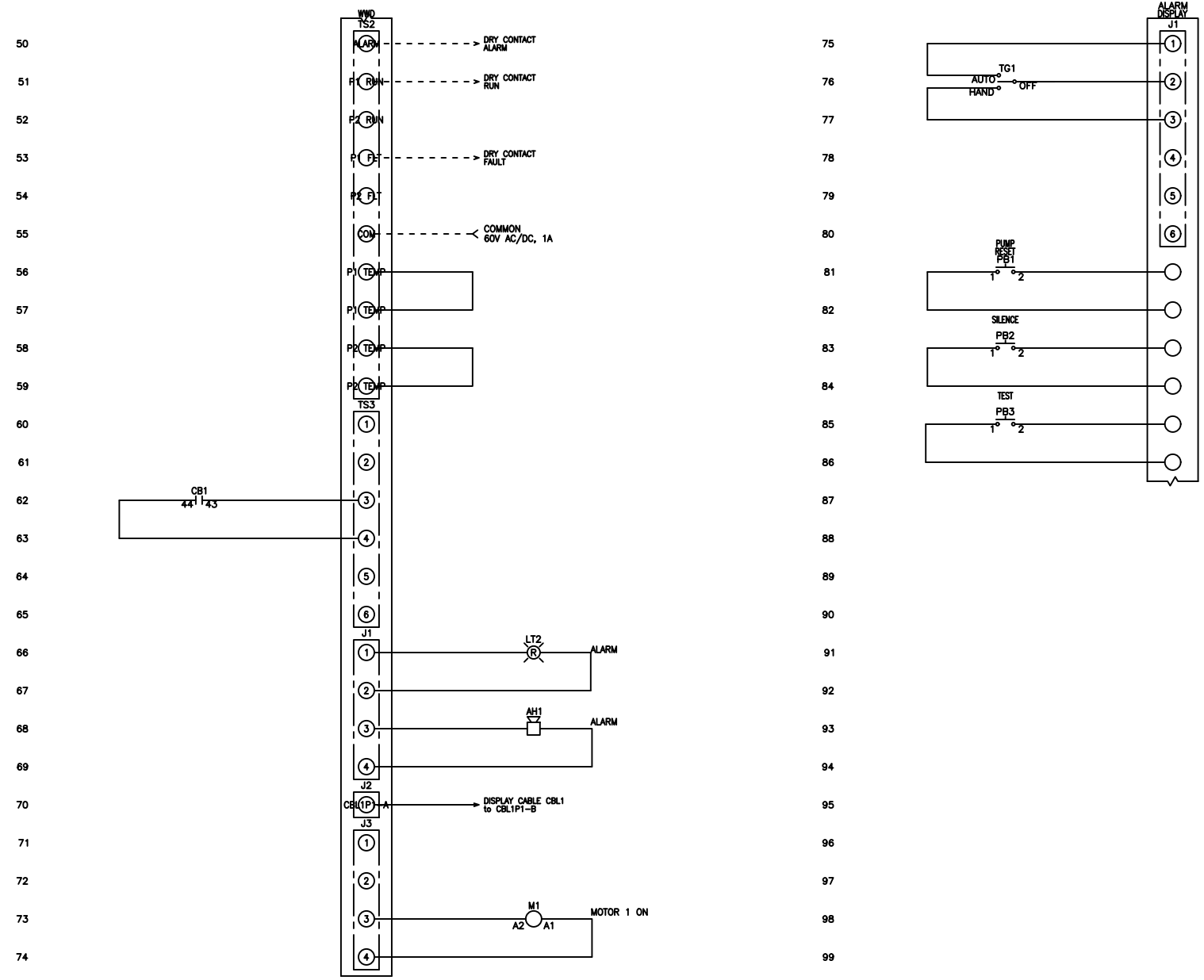


TITLE: WS3P-TP-300X CONTROL SCHEMATIC

THIS DRAWING CONTAINS PROPRIETARY INFORMATION AND SHALL NOT BE USED OR DISCLOSED WITHOUT PRIOR WRITTEN AUTHORIZATION.

SIZE	DWG NO.	PART NO.	REV
B	1524	WS3P-TP-300X	G
SCALE	NONE	SHEET	1 OF 3

FNAME: WS3P-TP-300X
REVDATE: 0618



REVISIONS				
ZONE	REV	DESCRIPTION	DATE	APPROVED
	A	ADDITION OF OPTIONAL SEAL FAIL RELAY	1/11/15	
	B	ADDITION OF OPTIONAL LOW LEVEL ALARM	5/2/16	
	C	UPDATED INSTRUCTIONS	5/24/17	
	D	REVISED CB1 AND UPDATED POWER ON LIGHT	9/21/17	
	E	REVISED SEAL FAIL RELAY AND SPLIT TB1	2/23/18	
	F	ADDITION OF CB2	6/26/18	
	G	Transformer Label X1 to XF	4/29/19	

MULTITAP TRANSFORMER INSTRUCTIONS:

CONNECT FACTORY TAGGED WIRES TO APPROPRIATE TRANSFORMER VOLTAGE TAP. SEE BELOW FOR CONNECTIONS:

FOR 208V OPERATION, CONNECT TO FUSE INPUT HF & TO TRANSFORMER TAP H2

FOR 240V OPERATION, CONNECT TO FUSE INPUT HF & TO TRANSFORMER TAP H3

FOR 480V OPERATION, CONNECT TO FUSE INPUT HF & TO TRANSFORMER TAP H4


----- DASHED LINE INDICATES FIELD WIRING.

USE COPPER CONDUCTORS ONLY.

TEMPERATURE RATING OF CONDUCTORS IS TO BE 60°C (167°F).

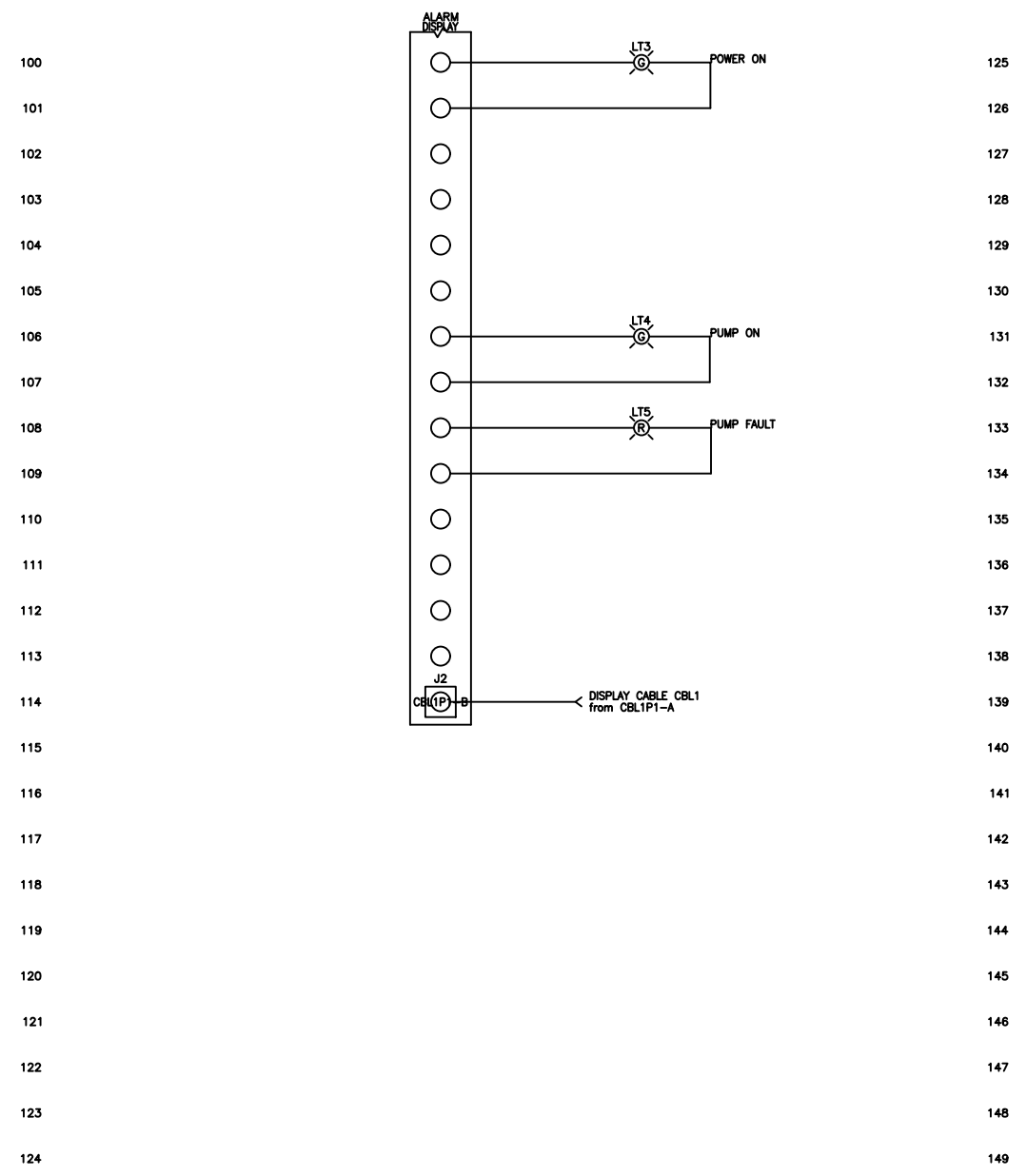
BRANCH CIRCUIT PROTECTION SHALL BE PROVIDED BY THE INSTALLER. MUST BE SIZED ACCORDING TO PUMP/MOTOR MANUFACTURING SPECIFICATIONS.

VERIFY CORRECT OPERATION OF CONTROL PANEL AFTER INSTALLATION IS COMPLETE.

DRAWN BY: KJ	DATE: 11/1/14				
APPROVED BY:	DATE:				
THIS DRAWING CONTAINS PROPRIETARY INFORMATION AND SHALL NOT BE USED OR DISCLOSED WITHOUT PRIOR WRITTEN AUTHORIZATION.		TITLE: WS3P-TP-300X CONTROL SCHEMATIC			
		SIZE B	DWG NO. 1524	PART NO. WS3P-TP-300X	REV G
		SCALE NONE	SHEET 2 OF 3		

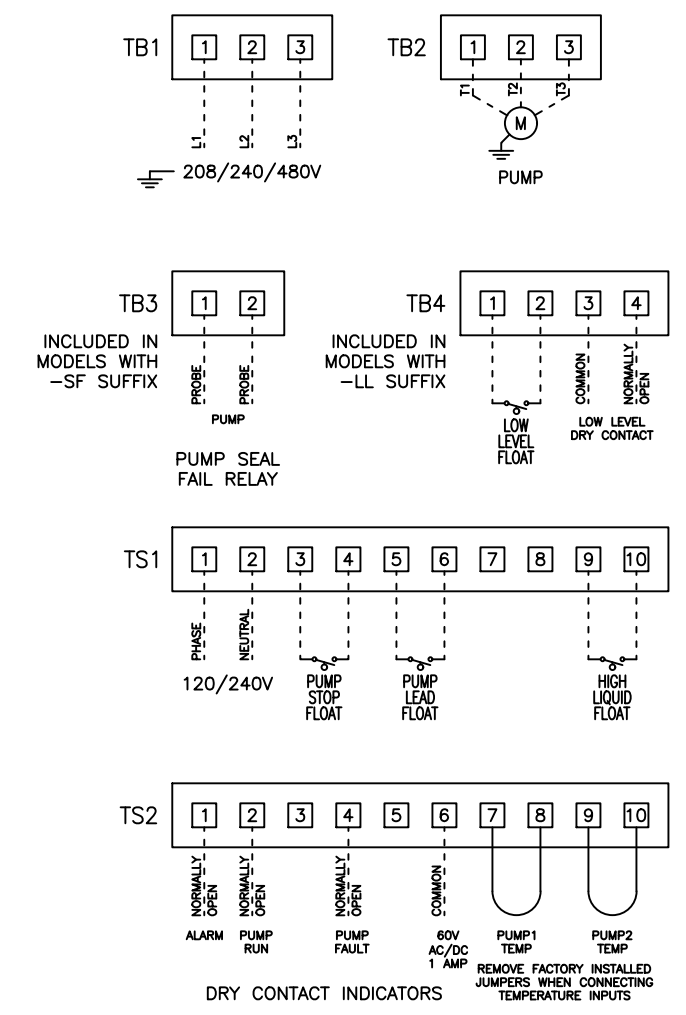
FNAME: WS3P-TP-300X

REVDATE: 0618



REVISIONS				
ZONE	REV	DESCRIPTION	DATE	APPROVED
	A	ADDITION OF OPTIONAL SEAL FAIL RELAY	1/11/15	
	B	ADDITION OF OPTIONAL LOW LEVEL ALARM	5/2/16	
	C	UPDATED INSTRUCTIONS	5/24/17	
	D	REVISED CB1 AND UPDATED POWER ON LIGHT	9/21/17	
	E	REVISED SEAL FAIL RELAY AND SPLIT TB1	2/23/18	
	F	ADDITION OF CB2	6/26/18	
	G	Transformer Label X1 to XF	4/29/19	

FIELD WIRING CONNECTIONS



MULTITAP TRANSFORMER INSTRUCTIONS:

CONNECT FACTORY TAGGED WIRES TO APPROPRIATE TRANSFORMER VOLTAGE TAP. SEE BELOW FOR CONNECTIONS:

FOR 208V OPERATION, CONNECT TO FUSE INPUT HF & TO TRANSFORMER TAP H2

FOR 240V OPERATION, CONNECT TO FUSE INPUT HF & TO TRANSFORMER TAP H3

FOR 480V OPERATION, CONNECT TO FUSE INPUT HF & TO TRANSFORMER TAP H4

----- DASHED LINE INDICATES FIELD WIRING.

USE COPPER CONDUCTORS ONLY.

TEMPERATURE RATING OF CONDUCTORS IS TO BE 60°C (167°F).

BRANCH CIRCUIT PROTECTION SHALL BE PROVIDED BY THE INSTALLER. MUST BE SIZED ACCORDING TO PUMP/MOTOR MANUFACTURING SPECIFICATIONS.

VERIFY CORRECT OPERATION OF CONTROL PANEL AFTER INSTALLATION IS COMPLETE.

DRAWN BY: KJ		DATE: 11/1/14			
APPROVED BY:		DATE:			
THIS DRAWING CONTAINS PROPRIETARY INFORMATION AND SHALL NOT BE USED OR DISCLOSED WITHOUT PRIOR WRITTEN AUTHORIZATION.				TITLE: WS3P-TP-300X CONTROL SCHEMATIC	
SIZE: B	DWG NO.: 1524	PART NO.: WS3P-TP-300X	REV: G		
SCALE: NONE			SHEET: 3 OF 3		