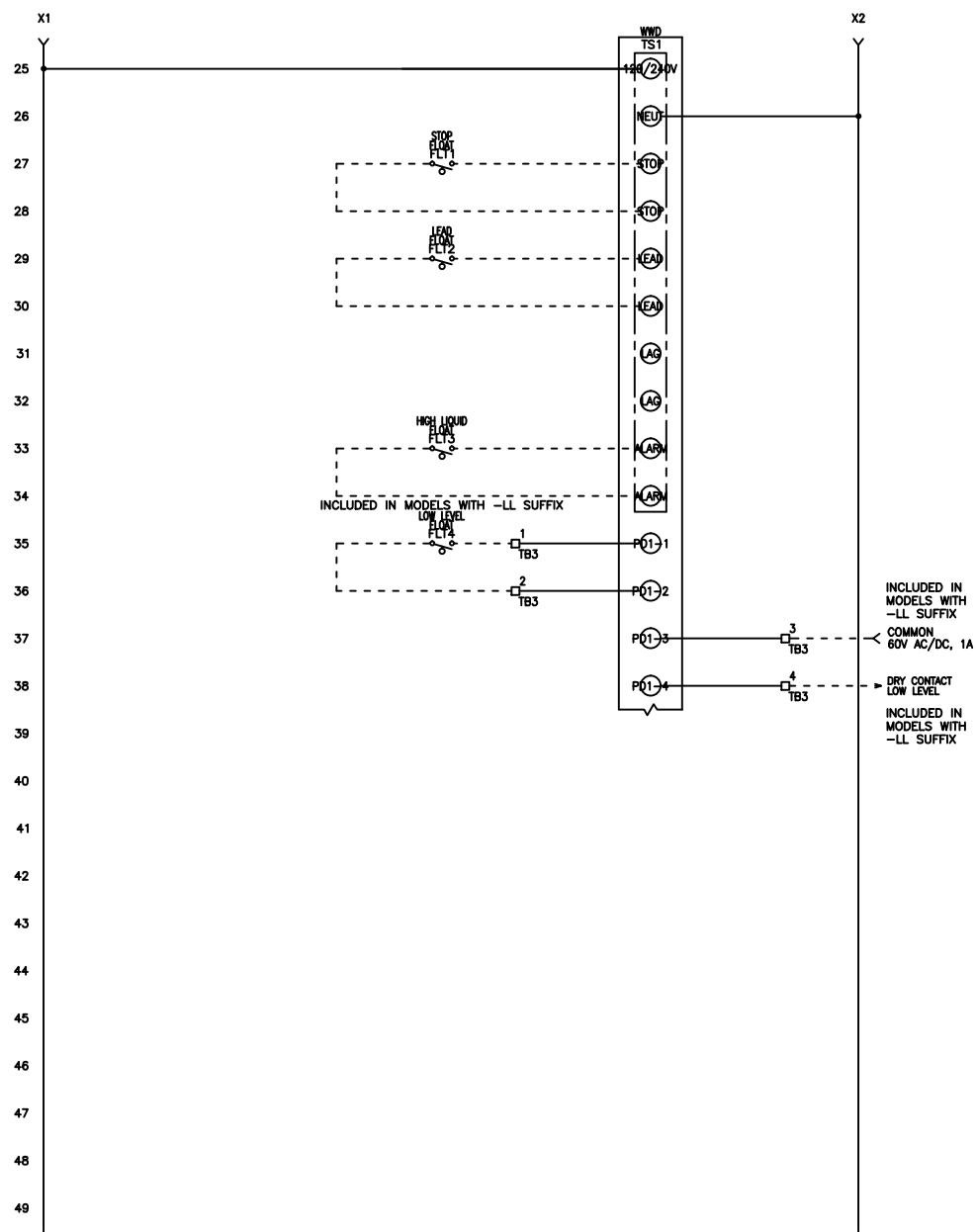
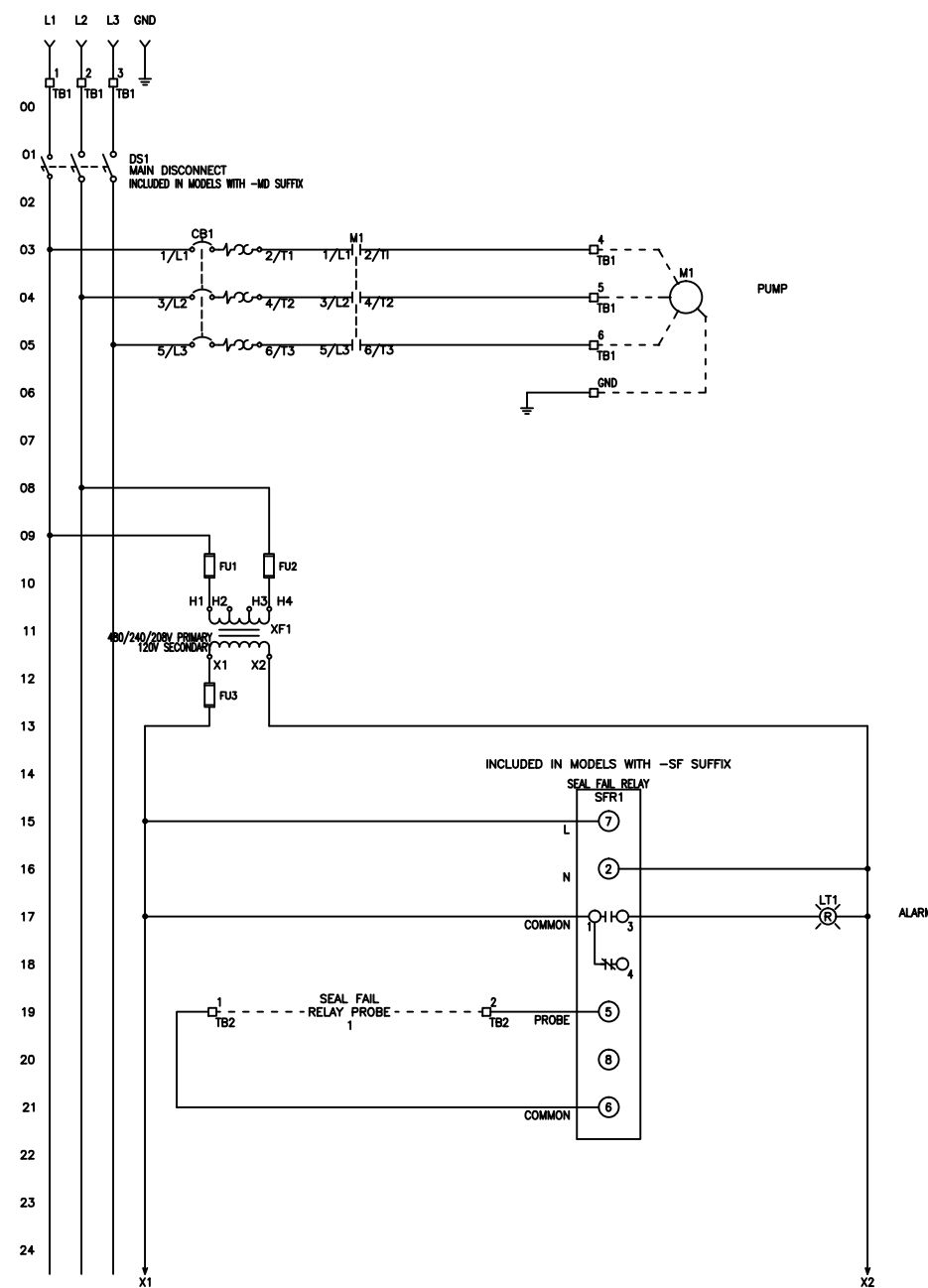


FNAME: WS3P-TP-300X

REVDATE: 0517

REVISIONS				
ZONE	REV	DESCRIPTION	DATE	APPROVED
	A	ADDITION OF OPTIONAL SEAL FAIL RELAY	1/11/15	
	B	ADDITION OF OPTIONAL LOW LEVEL ALARM	5/2/16	
	C	UPDATED INSTRUCTIONS	5/24/17	



MULTITAP TRANSFORMER INSTRUCTIONS:

CONNECT FACTORY TAGGED WIRES TO APPROPRIATE TRANSFORMER VOLTAGE TAP. SEE BELOW FOR CONNECTIONS:

FOR 208V OPERATION, CONNECT TO FUSE INPUT HF & TO TRANSFORMER TAP H2

FOR 240V OPERATION, CONNECT TO FUSE INPUT HF & TO TRANSFORMER TAP H3

FOR 480V OPERATION, CONNECT TO FUSE INPUT HF & TO TRANSFORMER TAP H4

----- DASHED LINE INDICATES FIELD WIRING.

USE COPPER CONDUCTORS ONLY.

TEMPERATURE RATING OF CONDUCTORS IS TO BE 60°C (167°F).

BRANCH CIRCUIT PROTECTION SHALL BE PROVIDED BY THE INSTALLER; MUST BE SIZED ACCORDING TO PUMP/MOTOR MANUFACTURING SPECIFICATIONS.

VERIFY CORRECT OPERATION OF CONTROL PANEL AFTER INSTALLATION IS COMPLETE.

DRAWN BY: KJ	DATE: 11/1/14
APPROVED BY:	DATE:



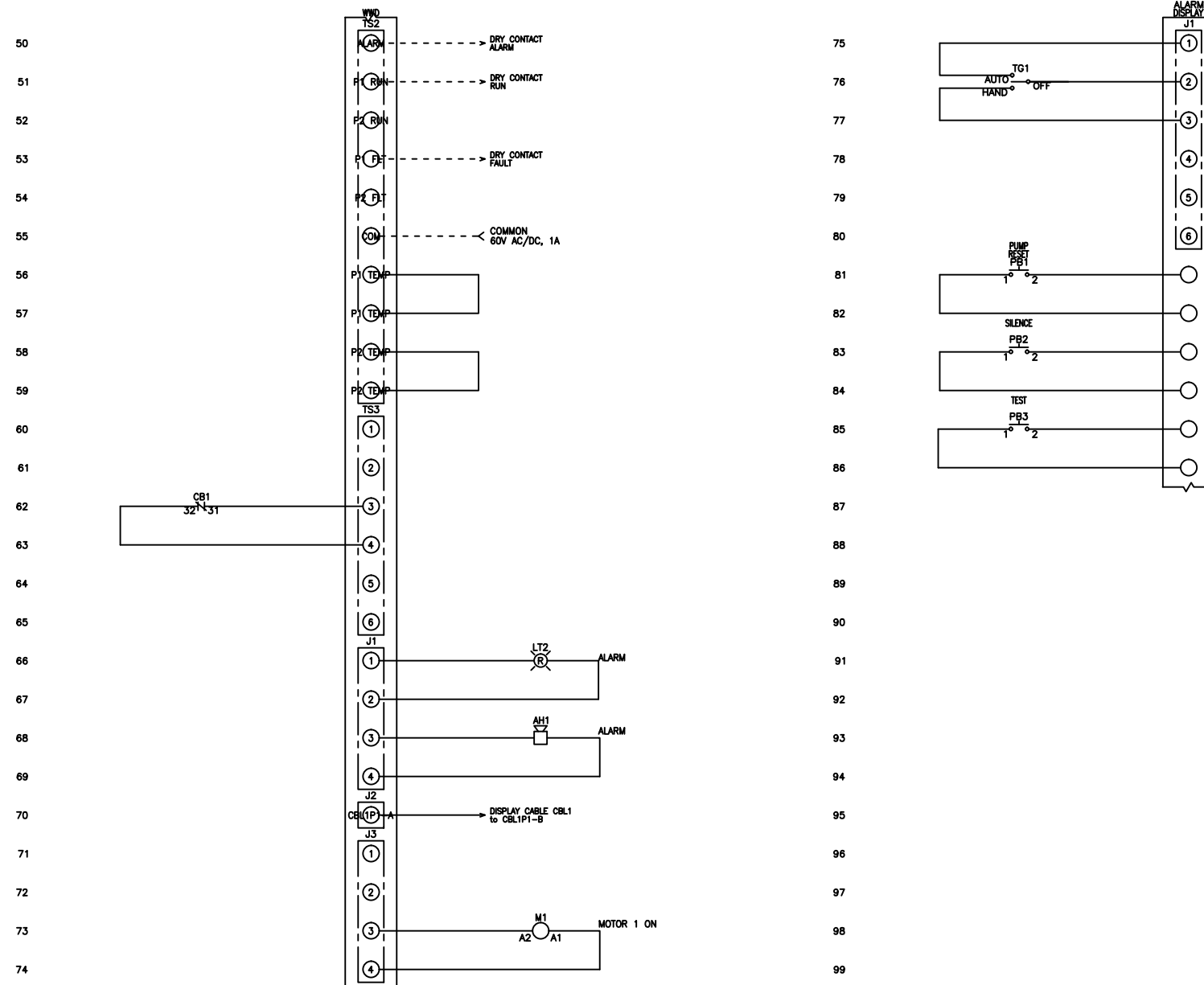
TITLE: WS3P-TP-300X CONTROL SCHEMATIC			
SIZE B	DWG NO. 1524	PART NO. WS3P-TP-300X	REV C
SCALE NONE	SHEET 1 OF 3		

THIS DRAWING CONTAINS PROPRIETARY INFORMATION AND SHALL NOT BE USED OR DISCLOSED WITHOUT PRIOR WRITTEN AUTHORIZATION.

FNAME: WS3P-TP-300X

REVDATE: 0517

REVISIONS				
ZONE	REV	DESCRIPTION	DATE	APPROVED
	A	ADDITION OF OPTIONAL SEAL FAIL RELAY	1/11/15	
	B	ADDITION OF OPTIONAL LOW LEVEL ALARM	5/2/16	
	C	UPDATED INSTRUCTIONS	5/24/17	



MULTITAP TRANSFORMER INSTRUCTIONS:

CONNECT FACTORY TAGGED WIRES TO APPROPRIATE TRANSFORMER VOLTAGE TAP. SEE BELOW FOR CONNECTIONS:

FOR 208V OPERATION, CONNECT TO FUSE INPUT HF & TO TRANSFORMER TAP H2

FOR 240V OPERATION, CONNECT TO FUSE INPUT HF & TO TRANSFORMER TAP H3

FOR 480V OPERATION, CONNECT TO FUSE INPUT HF & TO TRANSFORMER TAP H4

----- DASHED LINE INDICATES FIELD WIRING.

USE COPPER CONDUCTORS ONLY.

TEMPERATURE RATING OF CONDUCTORS IS TO BE 60°C (167°F).

BRANCH CIRCUIT PROTECTION SHALL BE PROVIDED BY THE INSTALLER; MUST BE SIZED ACCORDING TO PUMP/MOTOR MANUFACTURING SPECIFICATIONS.

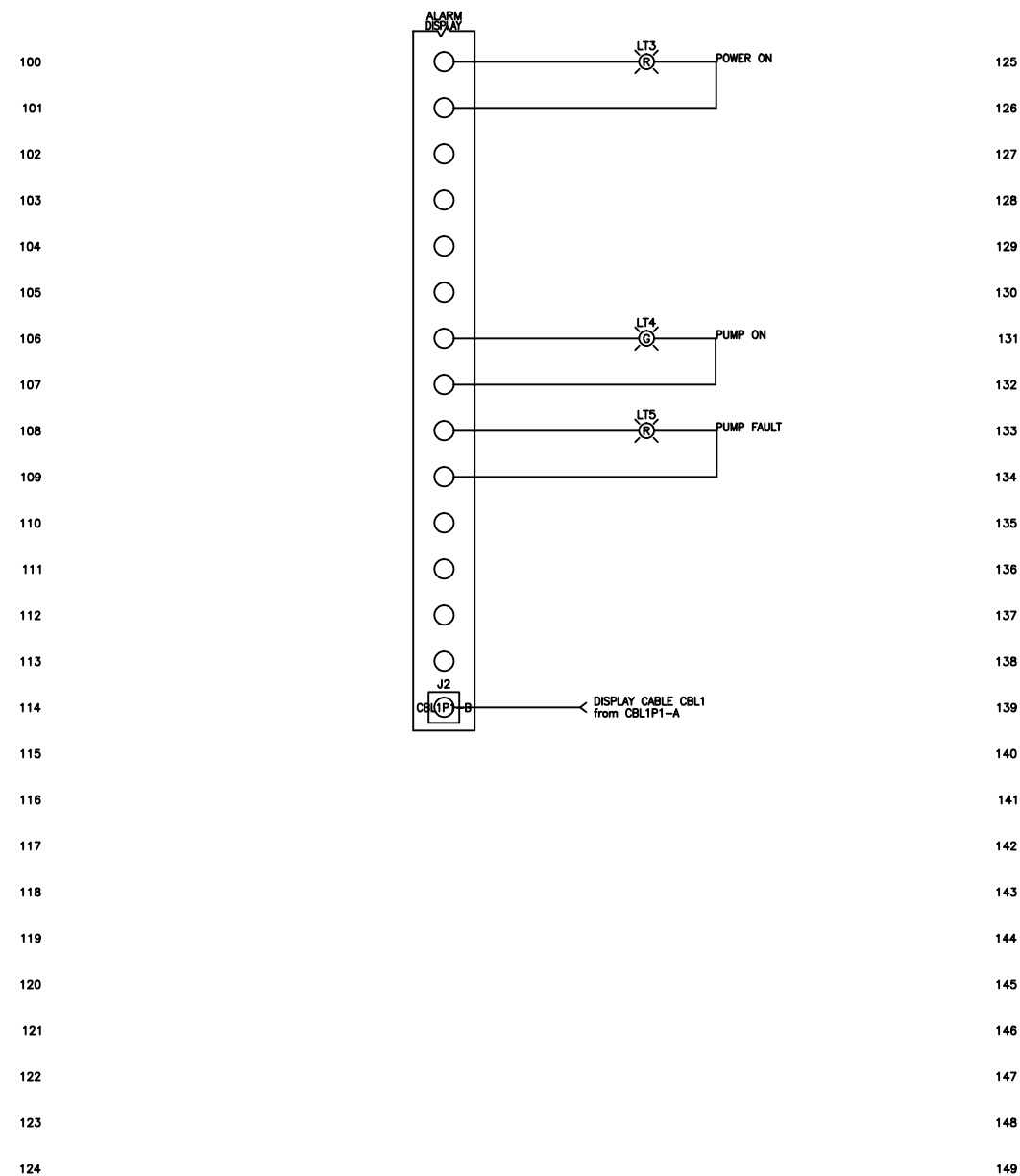
VERIFY CORRECT OPERATION OF CONTROL PANEL AFTER INSTALLATION IS COMPLETE.

DRAWN BY: KJ	DATE: 11/1/14				
APPROVED BY:	DATE:				
THIS DRAWING CONTAINS PROPRIETARY INFORMATION AND SHALL NOT BE USED OR DISCLOSED WITHOUT PRIOR WRITTEN AUTHORIZATION.		TITLE: WS3P-TP-300X CONTROL SCHEMATIC			
		SIZE B	DWG NO. 1524	PART NO. WS3P-TP-300X	REV C
		SCALE NONE		SHEET 2 OF 3	

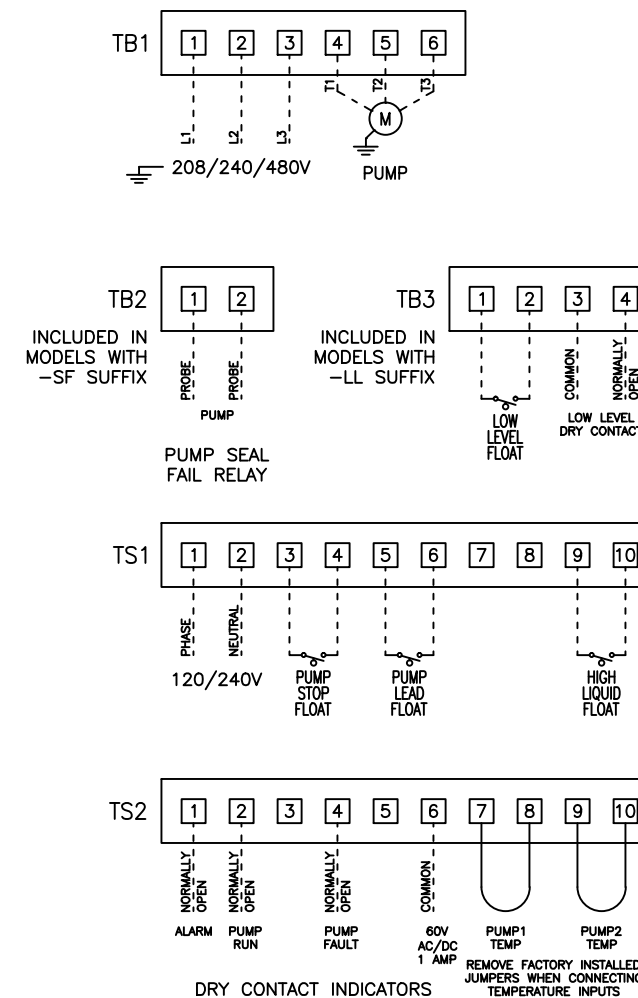
FNAME: WS3P-TP-300X

REVDATE: 0517

REVISIONS				
ZONE	REV	DESCRIPTION	DATE	APPROVED
	A	ADDITION OF OPTIONAL SEAL FAIL RELAY	1/11/15	
	B	ADDITION OF OPTIONAL LOW LEVEL ALARM	5/2/16	
	C	UPDATED INSTRUCTIONS	5/24/17	



FIELD WIRING CONNECTIONS



MULTITAP TRANSFORMER INSTRUCTIONS:

CONNECT FACTORY TAGGED WIRES TO APPROPRIATE TRANSFORMER VOLTAGE TAP. SEE BELOW FOR CONNECTIONS:

FOR 208V OPERATION, CONNECT TO FUSE INPUT HF & TO TRANSFORMER TAP H2

FOR 240V OPERATION, CONNECT TO FUSE INPUT HF & TO TRANSFORMER TAP H3

FOR 480V OPERATION, CONNECT TO FUSE INPUT HF & TO TRANSFORMER TAP H4

----- DASHED LINE INDICATES FIELD WIRING.

USE COPPER CONDUCTORS ONLY.

TEMPERATURE RATING OF CONDUCTORS IS TO BE 60°C (167°F).

BRANCH CIRCUIT PROTECTION SHALL BE PROVIDED BY THE INSTALLER; MUST BE SIZED ACCORDING TO PUMP/MOTOR MANUFACTURING SPECIFICATIONS.

VERIFY CORRECT OPERATION OF CONTROL PANEL AFTER INSTALLATION IS COMPLETE.

DRAWN BY: KJ	DATE: 11/1/14				
APPROVED BY:	DATE:				
<p>THIS DRAWING CONTAINS PROPRIETARY INFORMATION AND SHALL NOT BE USED OR DISCLOSED WITHOUT PRIOR WRITTEN AUTHORIZATION.</p>		TITLE: WS3P-TP-300X CONTROL SCHEMATIC			
		SIZE B	DWG NO. 1524	PART NO. WS3P-TP-300X	REV C
		SCALE NONE	SHEET 3 OF 3		