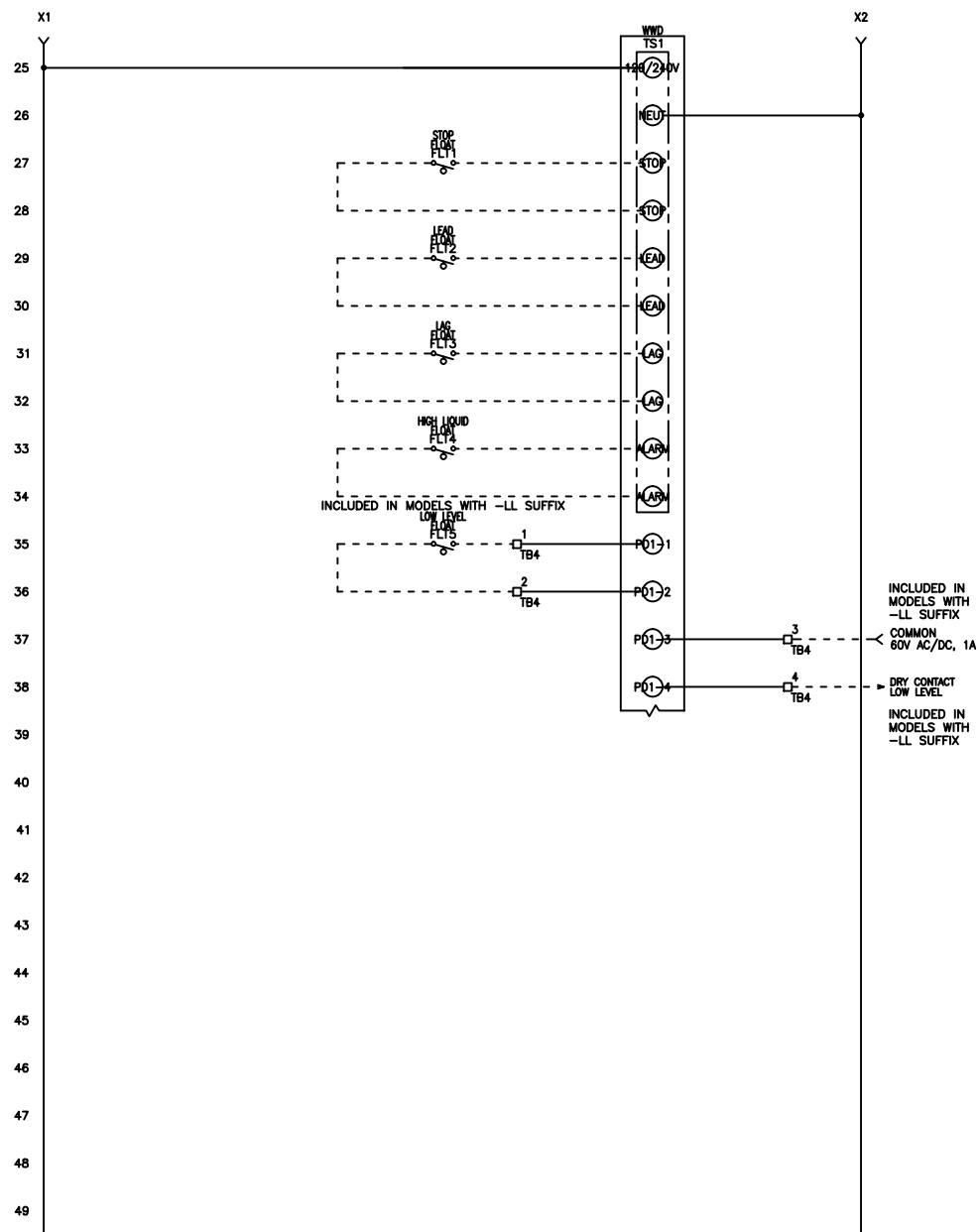
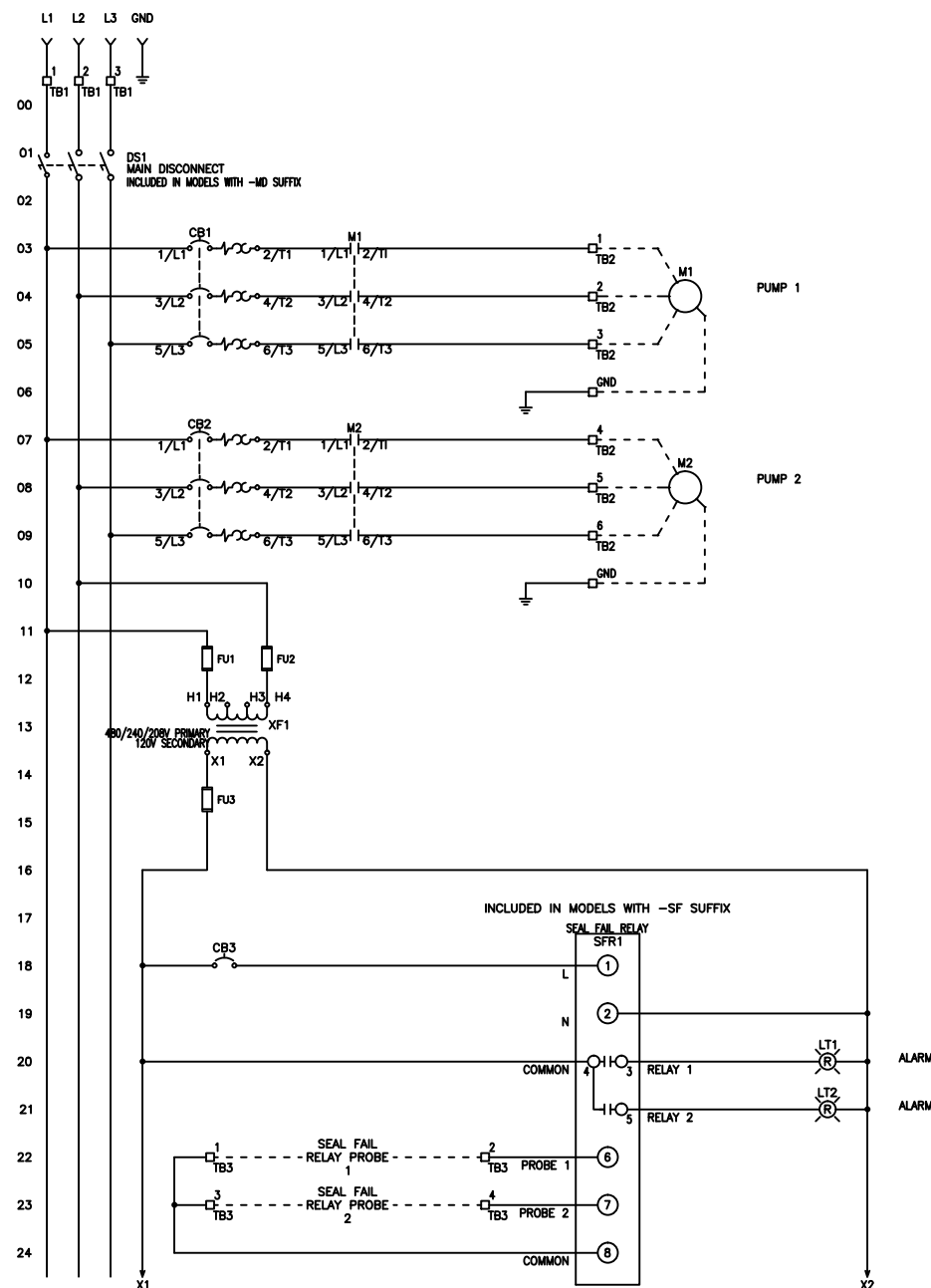


FNAME: WD3P-4-302X

REVDATE: 0817

REVISIONS				
ZONE	REV	DESCRIPTION	DATE	APPROVED
	A	ADDITION OF OPTIONAL SEAL FAIL RELAY	1/11/15	
	B	ADDITION OF OPTIONAL LOW LEVEL ALARM	5/2/16	
	C	UPDATED INSTRUCTIONS	5/24/17	
	D	UPDATED TERMINAL BLOCKS & CIRCUIT BREAKER	8/25/17	



**MULTITAP TRANSFORMER INSTRUCTIONS:**

CONNECT FACTORY TAGGED WIRES TO APPROPRIATE TRANSFORMER VOLTAGE TAP. SEE BELOW FOR CONNECTIONS:

FOR 208V OPERATION, CONNECT TO FUSE INPUT HF & TO TRANSFORMER TAP H2

FOR 240V OPERATION, CONNECT TO FUSE INPUT HF & TO TRANSFORMER TAP H3

FOR 480V OPERATION, CONNECT TO FUSE INPUT HF & TO TRANSFORMER TAP H4

----- DASHED LINE INDICATES FIELD WIRING.

USE COPPER CONDUCTORS ONLY.

TEMPERATURE RATING OF CONDUCTORS IS TO BE 60°C (167°F).

BRANCH CIRCUIT PROTECTION SHALL BE PROVIDED BY THE INSTALLER; MUST BE SIZED ACCORDING TO PUMP/MOTOR MANUFACTURING SPECIFICATIONS.

VERIFY CORRECT OPERATION OF CONTROL PANEL AFTER INSTALLATION IS COMPLETE.

DRAWN BY: KJ	DATE: 11/6/14
APPROVED BY:	DATE:



TITLE: WD3P-4-302X CONTROL SCHEMATIC

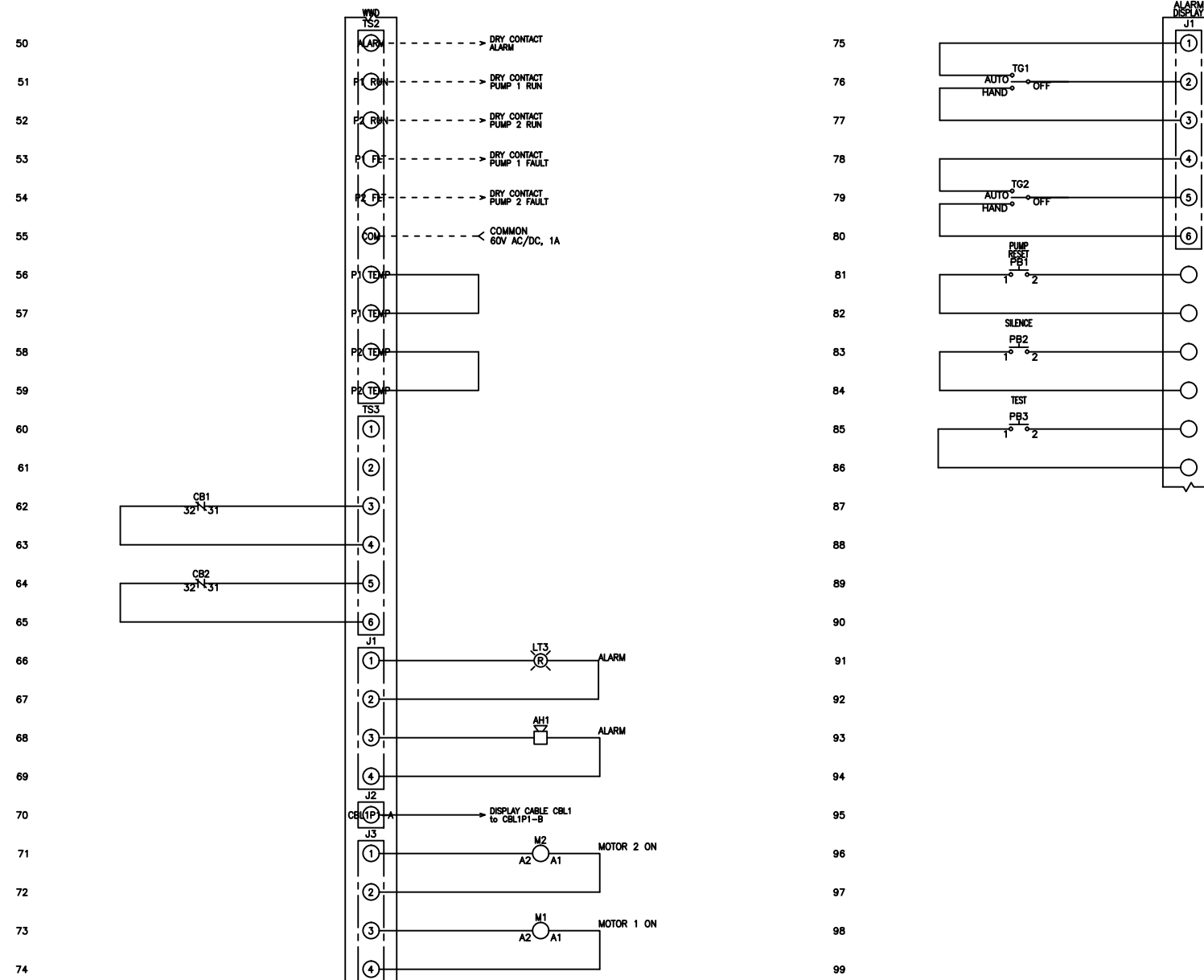
THIS DRAWING CONTAINS PROPRIETARY INFORMATION AND SHALL NOT BE USED OR DISCLOSED WITHOUT PRIOR WRITTEN AUTHORIZATION.

SIZE B	DWG NO. 1526	PART NO. WD3P-4-302X	REV D
SCALE NONE	SHEET 1 OF 3		

FNAME: WD3P-4-302X

REVDATE: 0817

REVISIONS				
ZONE	REV	DESCRIPTION	DATE	APPROVED
	A	ADDITION OF OPTIONAL SEAL FAIL RELAY	1/11/15	
	B	ADDITION OF OPTIONAL LOW LEVEL ALARM	5/2/16	
	C	UPDATED INSTRUCTIONS	5/24/17	
	D	UPDATED TERMINAL BLOCKS & CIRCUIT BREAKER	8/25/17	



**MULTITAP TRANSFORMER INSTRUCTIONS:**

CONNECT FACTORY TAGGED WIRES TO APPROPRIATE TRANSFORMER VOLTAGE TAP. SEE BELOW FOR CONNECTIONS:

FOR 208V OPERATION, CONNECT TO FUSE INPUT HF & TO TRANSFORMER TAP H2

FOR 240V OPERATION, CONNECT TO FUSE INPUT HF & TO TRANSFORMER TAP H3

FOR 480V OPERATION, CONNECT TO FUSE INPUT HF & TO TRANSFORMER TAP H4

----- DASHED LINE INDICATES FIELD WIRING.

USE COPPER CONDUCTORS ONLY.

TEMPERATURE RATING OF CONDUCTORS IS TO BE 60°C (167°F).

BRANCH CIRCUIT PROTECTION SHALL BE PROVIDED BY THE INSTALLER; MUST BE SIZED ACCORDING TO PUMP/MOTOR MANUFACTURING SPECIFICATIONS.

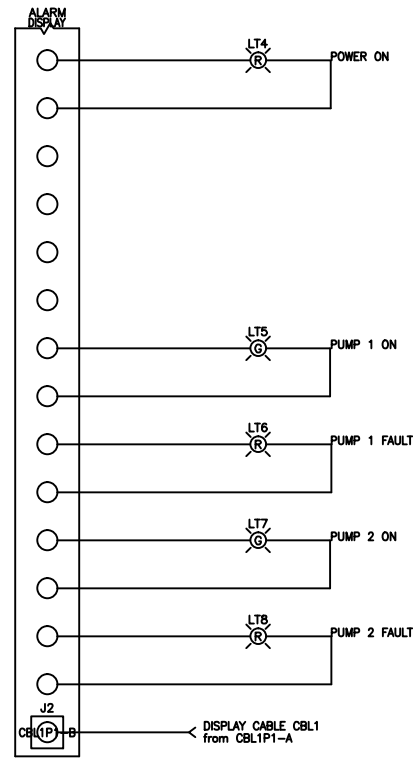
VERIFY CORRECT OPERATION OF CONTROL PANEL AFTER INSTALLATION IS COMPLETE.

DRAWN BY: KJ	DATE: 11/6/14				
APPROVED BY:	DATE:				
THIS DRAWING CONTAINS PROPRIETARY INFORMATION AND SHALL NOT BE USED OR DISCLOSED WITHOUT PRIOR WRITTEN AUTHORIZATION.		TITLE: WD3P-4-302X CONTROL SCHEMATIC			
		SIZE B	DWG NO. 1526	PART NO. WD3P-4-302X	REV D
		SCALE NONE	SHEET 2 OF 3		

FNAME: WD3P-4-302X

REVDATE: 0817

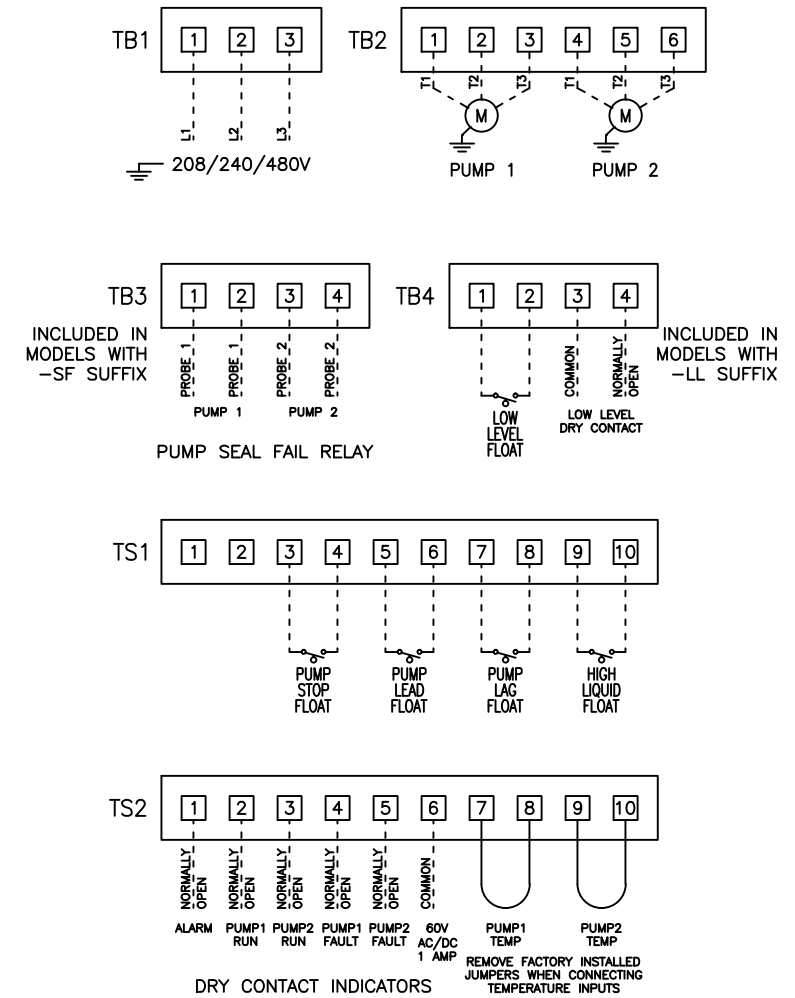
100  
101  
102  
103  
104  
105  
106  
107  
108  
109  
110  
111  
112  
113  
114  
115  
116  
117  
118  
119  
120  
121  
122  
123  
124



125  
126  
127  
128  
129  
130  
131  
132  
133  
134  
135  
136  
137  
138  
139  
140  
141  
142  
143  
144  
145  
146  
147  
148  
149

REVISIONS				
ZONE	REV	DESCRIPTION	DATE	APPROVED
	A	ADDITION OF OPTIONAL SEAL FAIL RELAY	1/11/15	
	B	ADDITION OF OPTIONAL LOW LEVEL ALARM	5/2/16	
	C	UPDATED INSTRUCTIONS	5/24/17	
	D	UPDATED TERMINAL BLOCKS & CIRCUIT BREAKER	8/25/17	

**FIELD WIRING CONNECTIONS**



**MULTITAP TRANSFORMER INSTRUCTIONS:**

CONNECT FACTORY TAGGED WIRES TO APPROPRIATE TRANSFORMER VOLTAGE TAP. SEE BELOW FOR CONNECTIONS:

FOR 208V OPERATION, CONNECT TO FUSE INPUT HF & TO TRANSFORMER TAP H2

FOR 240V OPERATION, CONNECT TO FUSE INPUT HF & TO TRANSFORMER TAP H3

FOR 480V OPERATION, CONNECT TO FUSE INPUT HF & TO TRANSFORMER TAP H4

----- DASHED LINE INDICATES FIELD WIRING.

USE COPPER CONDUCTORS ONLY.

TEMPERATURE RATING OF CONDUCTORS IS TO BE 60°C (167°F).

BRANCH CIRCUIT PROTECTION SHALL BE PROVIDED BY THE INSTALLER; MUST BE SIZED ACCORDING TO PUMP/MOTOR MANUFACTURING SPECIFICATIONS.

VERIFY CORRECT OPERATION OF CONTROL PANEL AFTER INSTALLATION IS COMPLETE.

DRAWN BY: KJ	DATE: 11/6/14
APPROVED BY:	DATE:



TITLE:  
WD3P-4-302X  
CONTROL SCHEMATIC

THIS DRAWING CONTAINS PROPRIETARY INFORMATION AND SHALL NOT BE USED OR DISCLOSED WITHOUT PRIOR WRITTEN AUTHORIZATION.

SIZE B	DWG NO. 1526	PART NO. WD3P-4-302X	REV D
SCALE NONE	SHEET 3 OF 3		