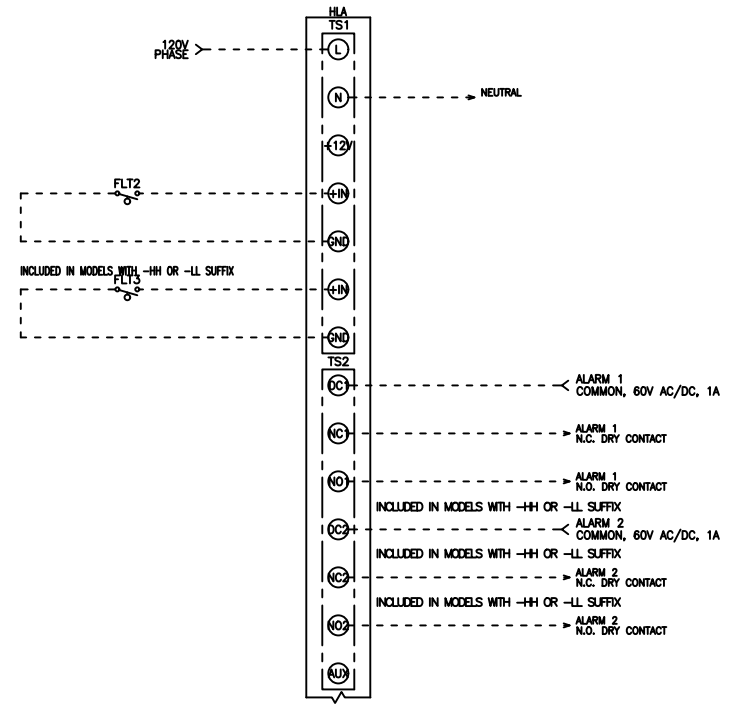
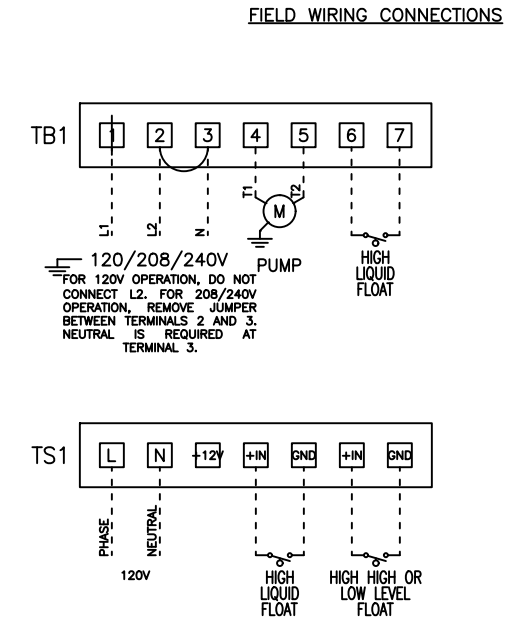
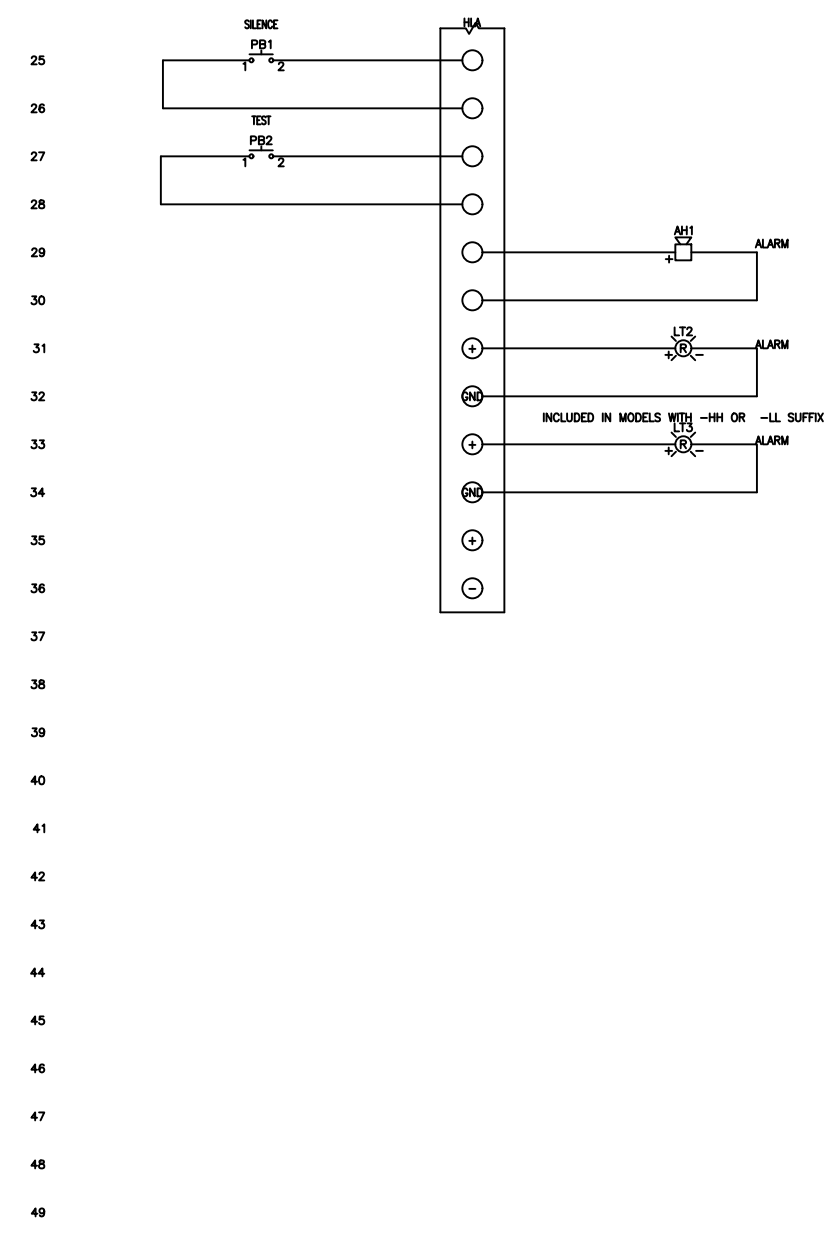
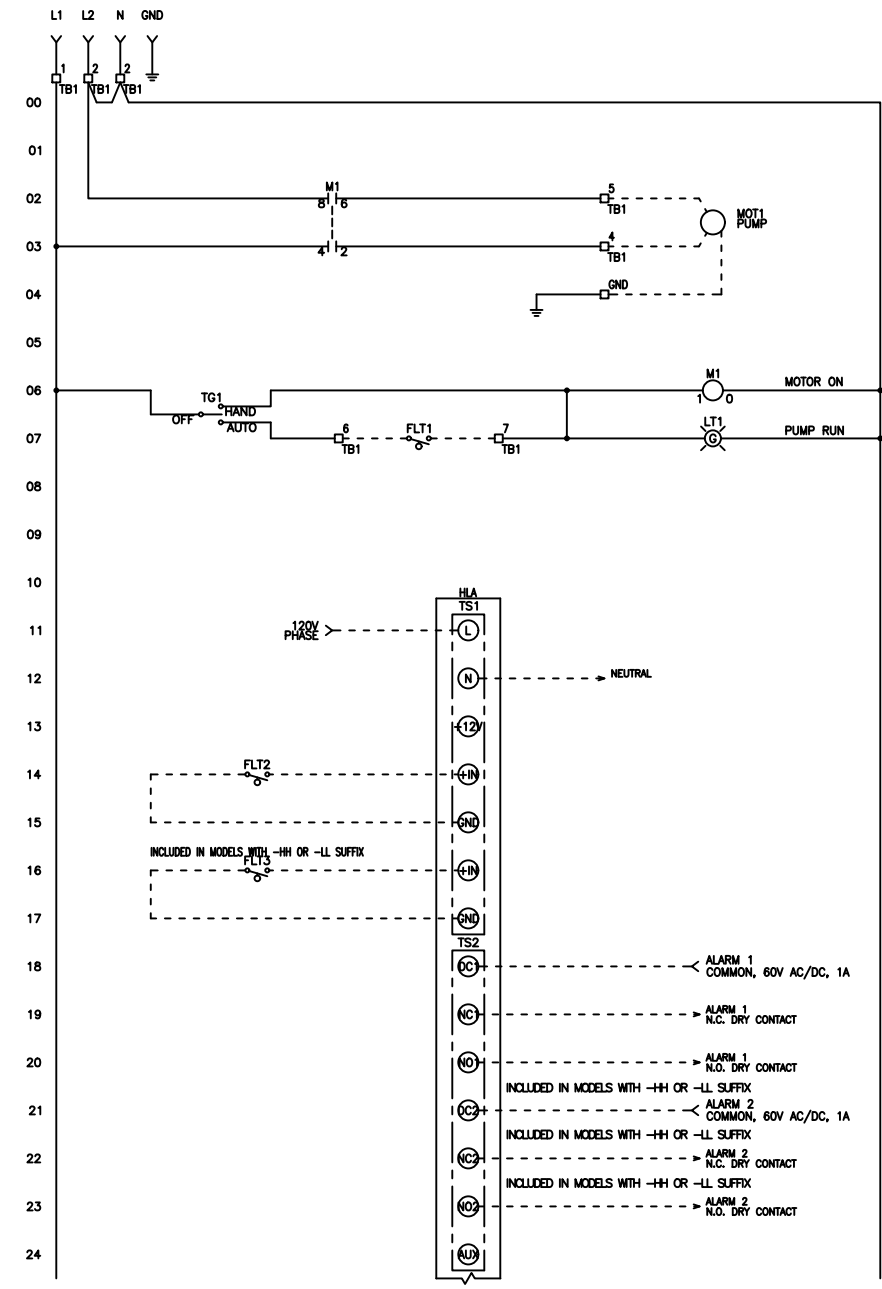


FNAME: SSP-2

REVDATE: 0118

REVISIONS				
ZONE	REV	DESCRIPTION	DATE	APPROVED
	A	UPDATED TB1, REMOVED TB2	1/19/18	



----- DASHED LINE INDICATES FIELD WIRING.

USE COPPER CONDUCTORS ONLY.
 TEMPERATURE RATING OF CONDUCTORS IS TO BE 60°C (167°F).
 BRANCH CIRCUIT PROTECTION SHALL BE PROVIDED BY THE INSTALLER; MUST BE SIZED ACCORDING TO PUMP/MOTOR MANUFACTURING SPECIFICATIONS.
 VERIFY CORRECT OPERATION OF CONTROL PANEL AFTER INSTALLATION IS COMPLETE.

DRAWN BY: MM	DATE: 3/19/15	SEEWATER <i>inc.</i>			
APPROVED BY:	DATE:				
THIS DRAWING CONTAINS PROPRIETARY INFORMATION AND SHALL NOT BE USED OR DISCLOSED WITHOUT PRIOR WRITTEN AUTHORIZATION.		TITLE: SSP-2 CONTROL SCHEMATIC			
		SIZE B	DWG NO. 1544	PART NO. SSP-2	REV A
		SCALE NONE	SHEET 1 OF 1		