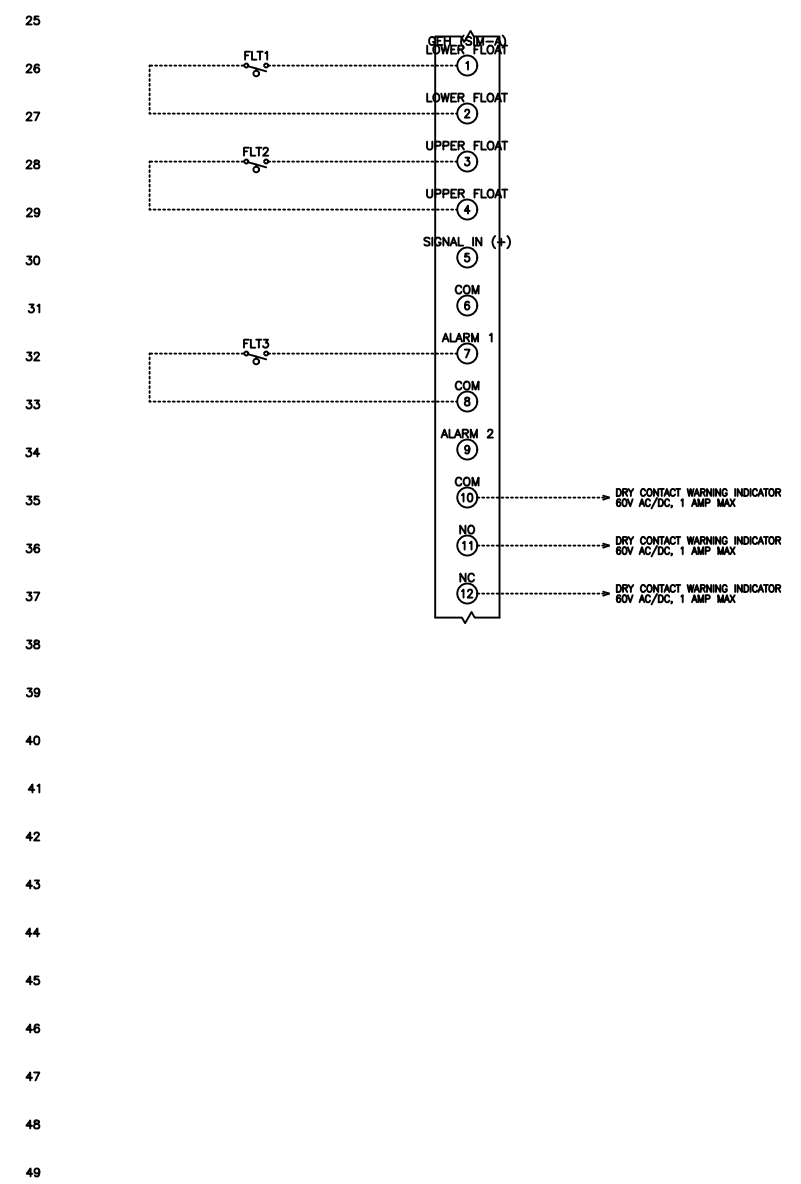
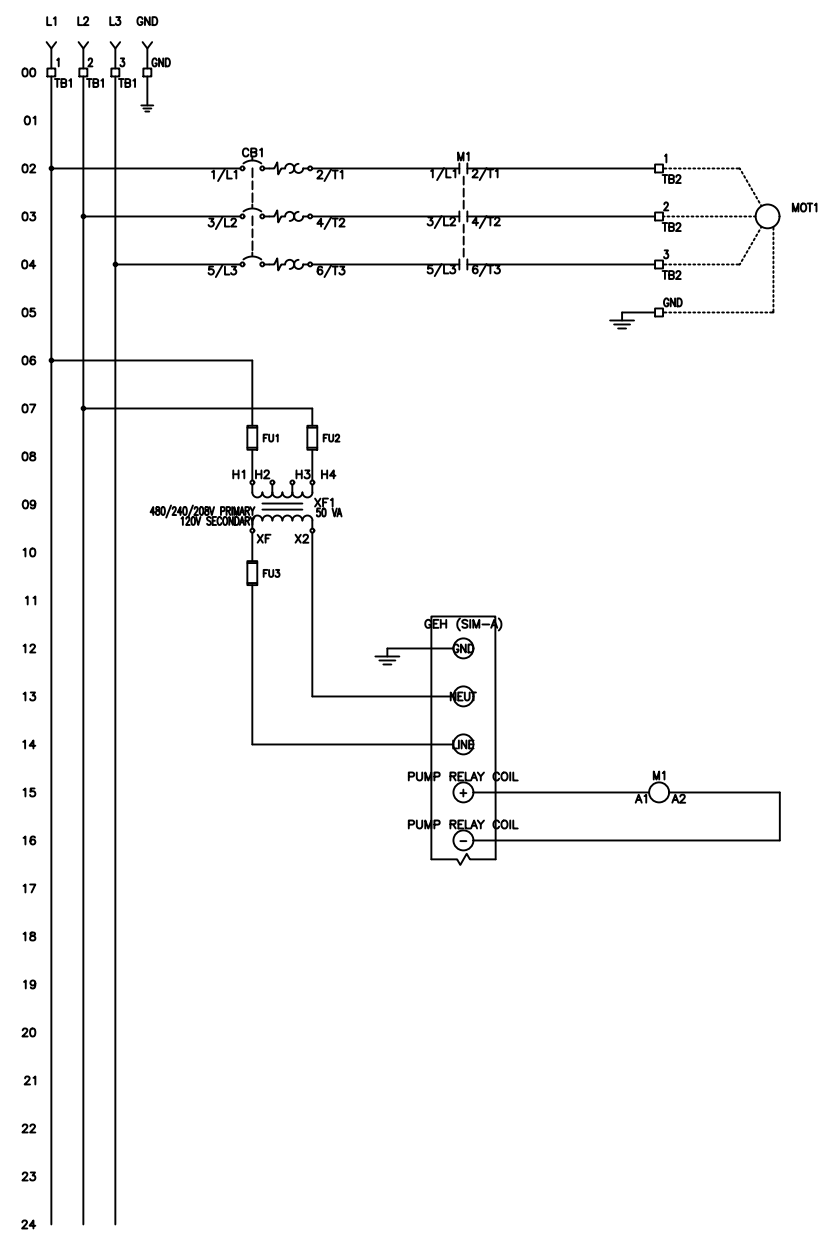


FNAME: SIM-A3-X
REVDATE: 0917

REVISIONS				
ZONE	REV	DESCRIPTION	DATE	APPROVED
	A	UPDATED INSTRUCTIONS	5/25/17	
	B	TERMINAL STRIP ADJUSTMENT	9/28/17	
	C	Transformer Label X1 to XF	4/29/19	



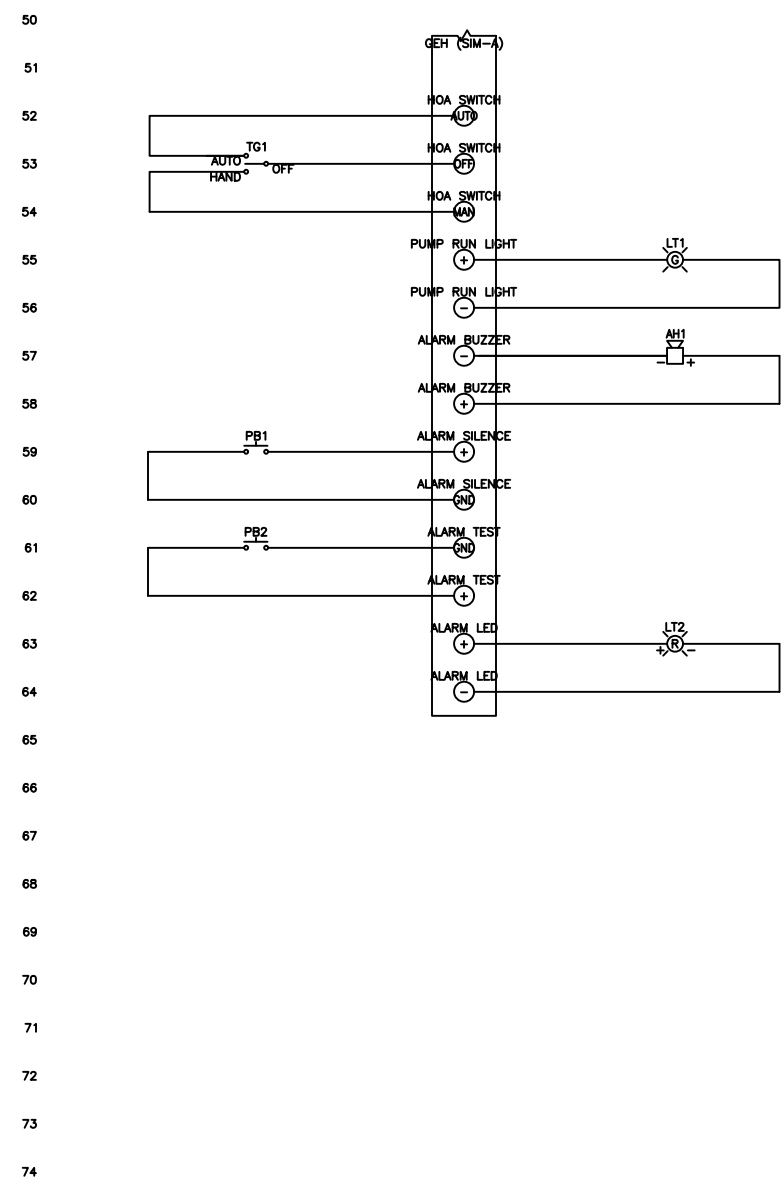
MULTITAP TRANSFORMER INSTRUCTIONS:
 PANEL IS WIRED FOR 480V OPERATION.
 CONNECT FACTORY TAGGED WIRES TO APPROPRIATE TRANSFORMER VOLTAGE TAP. SEE BELOW FOR CONNECTIONS:
 FOR 208V OPERATION, CONNECT TO FUSE INPUT HF & TO TRANSFORMER TAP H2
 FOR 240V OPERATION, CONNECT TO FUSE INPUT HF & TO TRANSFORMER TAP H3

----- DASHED LINE INDICATES FIELD WIRING.

USE COPPER CONDUCTORS ONLY.
 TEMPERATURE RATING OF CONDUCTORS IS TO BE 60°C (167°F).
 BRANCH CIRCUIT PROTECTION SHALL BE PROVIDED BY THE INSTALLER: MUST BE SIZED ACCORDING TO PUMP/MOTOR MANUFACTURING SPECIFICATIONS.
 VERIFY CORRECT OPERATION OF CONTROL PANEL AFTER INSTALLATION IS COMPLETE.

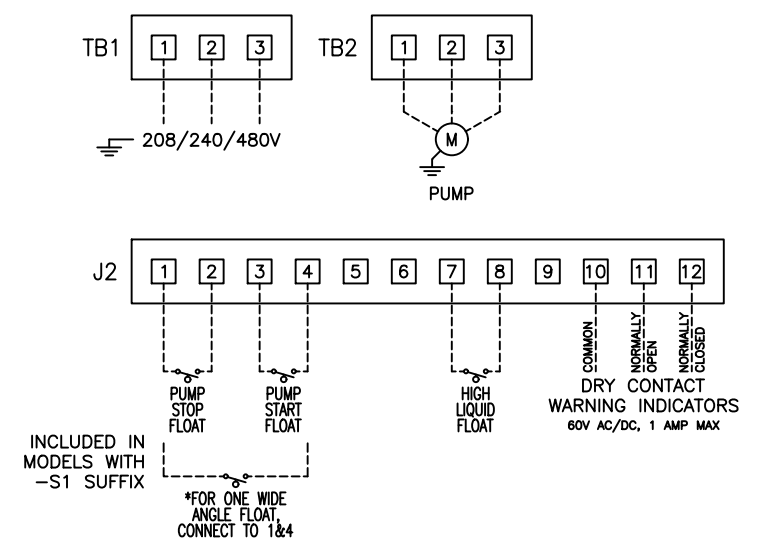
DRAWN BY: KJ	DATE: 6/8/14	SEEWATER <i>inc.</i>			
APPROVED BY:	DATE:				
THIS DRAWING CONTAINS PROPRIETARY INFORMATION AND SHALL NOT BE USED OR DISCLOSED WITHOUT PRIOR WRITTEN AUTHORIZATION.		TITLE: SIM-A3-X CONTROL SCHEMATIC			
		SIZE B	DWG NO. 1508	PART NO. SIM-A3-X	REV C
		SCALE NONE		SHEET 1 OF 2	

FNAME: SIM-A3-X
REVDATE: 0917



REVISIONS				
ZONE	REV	DESCRIPTION	DATE	APPROVED
	A	UPDATED INSTRUCTIONS	5/25/17	
	B	TERMINAL STRIP ADJUSTMENT	9/28/17	
	C	Transformer Label X1 to XF	4/29/19	

FIELD WIRING CONNECTIONS



MULTITAP TRANSFORMER INSTRUCTIONS:
 PANEL IS WIRED FOR 480V OPERATION.
 CONNECT FACTORY TAGGED WIRES TO APPROPRIATE TRANSFORMER VOLTAGE TAP. SEE BELOW FOR CONNECTIONS:
 FOR 208V OPERATION, CONNECT TO FUSE INPUT HF & TO TRANSFORMER TAP H2
 FOR 240V OPERATION, CONNECT TO FUSE INPUT HF & TO TRANSFORMER TAP H3

----- DASHED LINE INDICATES FIELD WIRING.

USE COPPER CONDUCTORS ONLY.
 TEMPERATURE RATING OF CONDUCTORS IS TO BE 60°C (167°F).
 BRANCH CIRCUIT PROTECTION SHALL BE PROVIDED BY THE INSTALLER: MUST BE SIZED ACCORDING TO PUMP/MOTOR MANUFACTURING SPECIFICATIONS.
 VERIFY CORRECT OPERATION OF CONTROL PANEL AFTER INSTALLATION IS COMPLETE.

DRAWN BY: KJ		DATE: 6/8/14		SEEWATER <i>inc.</i>				
APPROVED BY:		DATE:						
THIS DRAWING CONTAINS PROPRIETARY INFORMATION AND SHALL NOT BE USED OR DISCLOSED WITHOUT PRIOR WRITTEN AUTHORIZATION.				TITLE: SIM-A3-X CONTROL SCHEMATIC				
				SIZE: B	DWG NO.: 1508	PART NO.: SIM-A3-X		REV: C
				SCALE: NONE		SHEET: 2 OF 2		