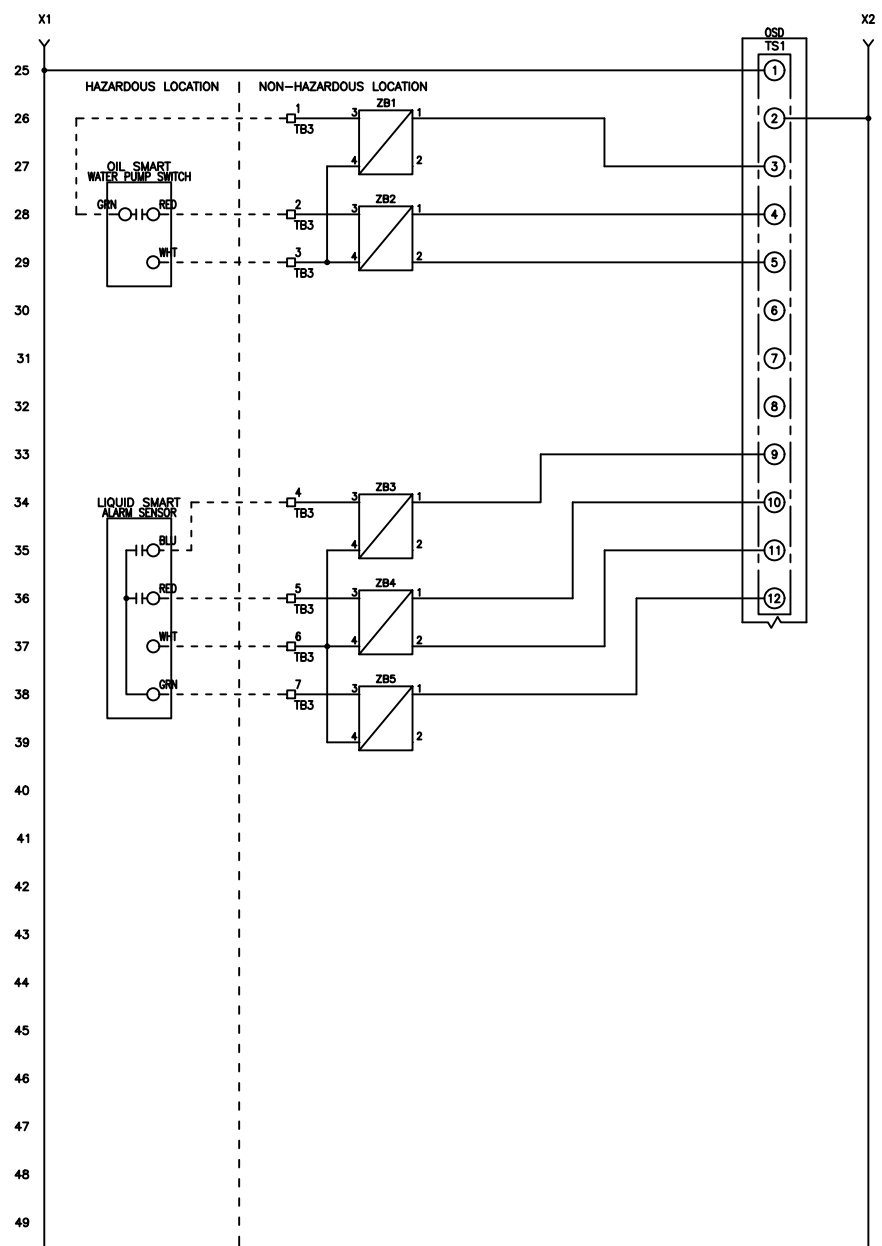
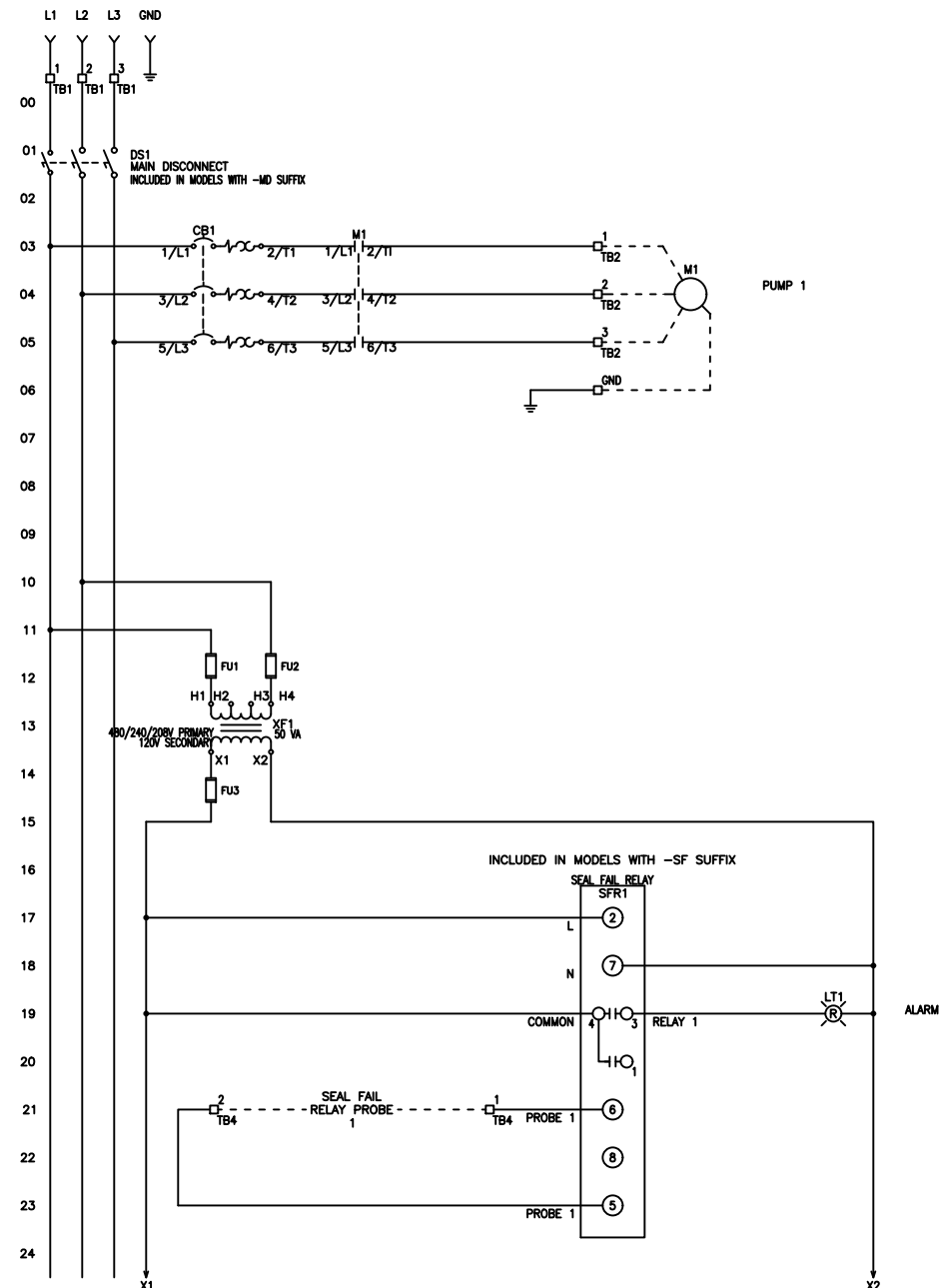


FNAME: IS-OSSIM-TP-300X

REVDATE: 0318

REVISIONS				
ZONE	REV	DESCRIPTION	DATE	APPROVED
	A	UPDATED INSTRUCTIONS	6/15/17	
	B	REVISED CB1 AND UPDATED POWER ON LIGHT	9/21/17	
	C	REVISED SEAL FAIL RELAY	3/19/18	



MULTI-TAP TRANSFORMER
CONNECT FACTORY TAGGED WIRES TO L1 & L2 ON TERMINAL BLOCK 3 AND CONNECT TO APPROPRIATE TRANSFORMER PRIMARY VOLTAGE TAP. SEE BELOW FOR CONNECTIONS:

FOR 208V OPERATION, CONNECT L1 & L2 TO TRANSFORMER TAPS H1 & H2.

FOR 240V OPERATION, CONNECT L1 & L2 TO TRANSFORMER TAPS H1 & H3.

FOR 480V OPERATION, CONNECT L1 & L2 TO TRANSFORMER TAPS H1 & H4.

----- DASHED LINE INDICATES FIELD WIRING.

USE COPPER CONDUCTORS ONLY.

TEMPERATURE RATING OF CONDUCTORS IS TO BE 60°C (167°F).

BRANCH CIRCUIT PROTECTION SHALL BE PROVIDED BY THE INSTALLER; MUST BE SIZED ACCORDING TO PUMP/MOTOR MANUFACTURING SPECIFICATIONS.

VERIFY CORRECT OPERATION OF CONTROL PANEL AFTER INSTALLATION IS COMPLETE.

DRAWN BY: MM DATE: 12/15/15

APPROVED BY: DATE:



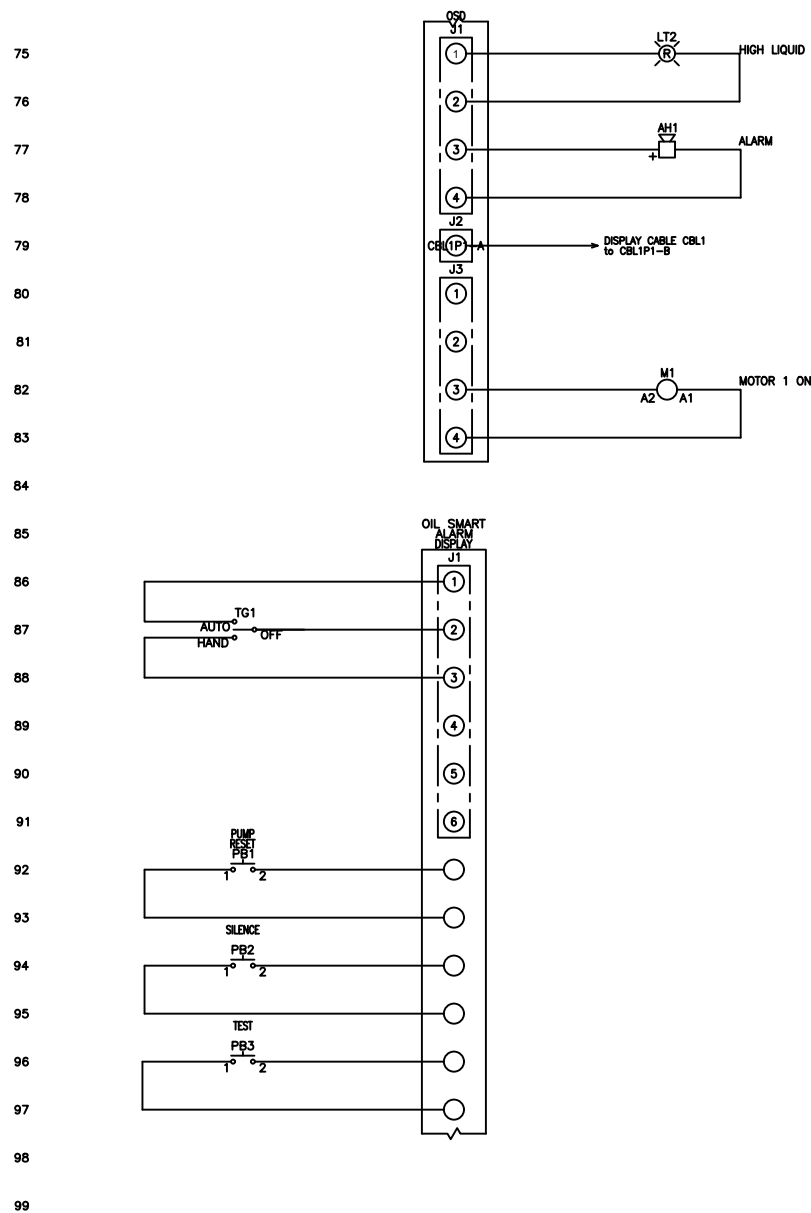
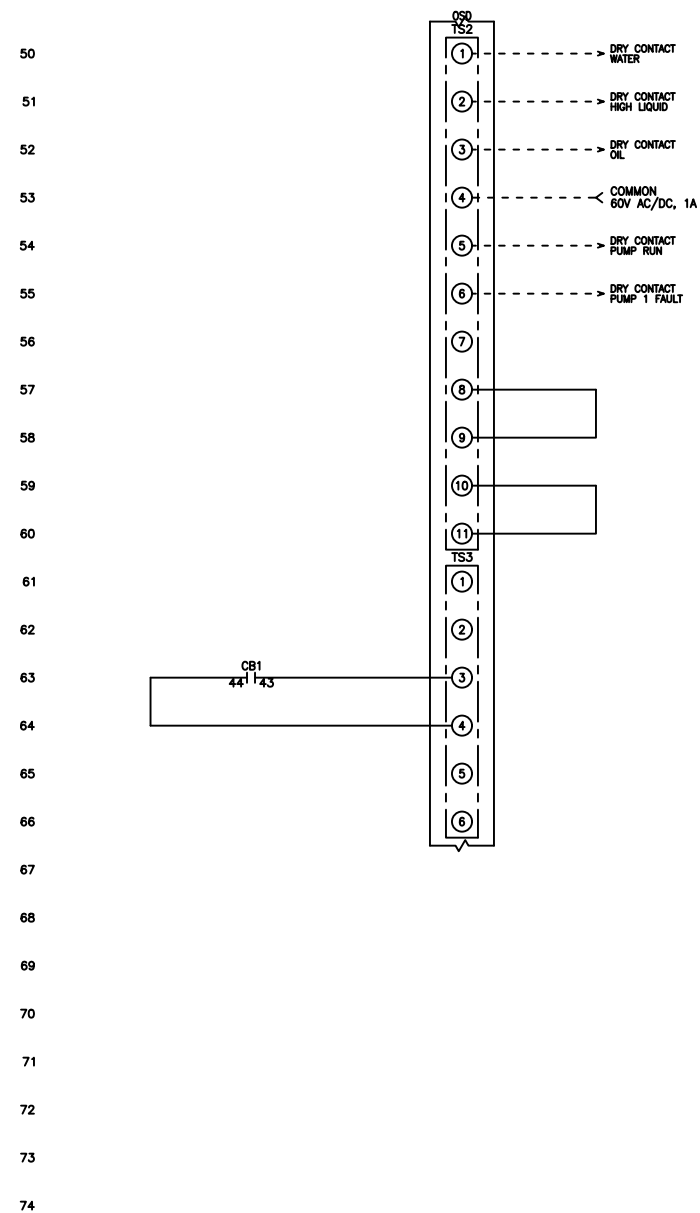
THIS DRAWING CONTAINS PROPRIETARY INFORMATION AND SHALL NOT BE USED OR DISCLOSED WITHOUT PRIOR WRITTEN AUTHORIZATION.

TITLE: IS-OSSIM-TP-300X CONTROL SCHEMATIC				
SIZE B	DWG NO. 1573	PART NO. IS-OSSIM-TP-300X	REV C	
SCALE NONE		SHEET 1 OF 3		

FNAME: IS-OSSIM-TP-300X

REVDATE: 0318

REVISIONS				
ZONE	REV	DESCRIPTION	DATE	APPROVED
	A	UPDATED INSTRUCTIONS	6/15/17	
	B	REVISED CB1 AND UPDATED POWER ON LIGHT	9/21/17	
	C	REVISED SEAL FAIL RELAY	3/19/18	



MULTI-TAP TRANSFORMER
 CONNECT FACTORY TAGGED WIRES TO L1 & L2 ON TERMINAL BLOCK 3 AND CONNECT TO APPROPRIATE TRANSFORMER PRIMARY VOLTAGE TAP. SEE BELOW FOR CONNECTIONS:

FOR 208V OPERATION, CONNECT L1 & L2 TO TRANSFORMER TAPS H1 & H2.

FOR 240V OPERATION, CONNECT L1 & L2 TO TRANSFORMER TAPS H1 & H3.

FOR 480V OPERATION, CONNECT L1 & L2 TO TRANSFORMER TAPS H1 & H4.

----- DASHED LINE INDICATES FIELD WIRING.

USE COPPER CONDUCTORS ONLY.

TEMPERATURE RATING OF CONDUCTORS IS TO BE 60°C (167°F).

BRANCH CIRCUIT PROTECTION SHALL BE PROVIDED BY THE INSTALLER; MUST BE SIZED ACCORDING TO PUMP/MOTOR MANUFACTURING SPECIFICATIONS.

VERIFY CORRECT OPERATION OF CONTROL PANEL AFTER INSTALLATION IS COMPLETE.

DRAWN BY: MM DATE: 12/15/15

APPROVED BY: DATE:



TITLE: IS-OSSIM-TP-300X CONTROL SCHEMATIC

THIS DRAWING CONTAINS PROPRIETARY INFORMATION AND SHALL NOT BE USED OR DISCLOSED WITHOUT PRIOR WRITTEN AUTHORIZATION.

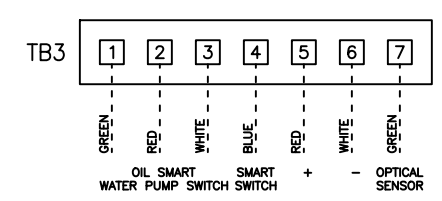
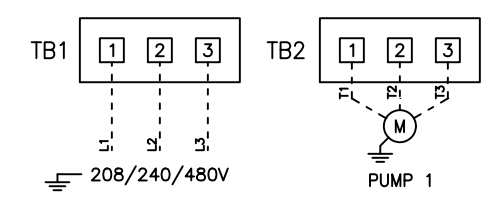
SIZE B	DWG NO. 1573	PART NO. IS-OSSIM-TP-300X	REV C
SCALE NONE	SHEET 2 OF 3		

FNAME: IS-OSSIM-TP-300X

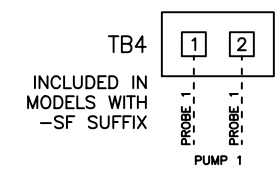
REVDATE: 0318

REVISIONS				
ZONE	REV	DESCRIPTION	DATE	APPROVED
	A	UPDATED INSTRUCTIONS	6/15/17	
	B	REVISED CB1 AND UPDATED POWER ON LIGHT	9/21/17	
	C	REVISED SEAL FAIL RELAY	3/19/18	

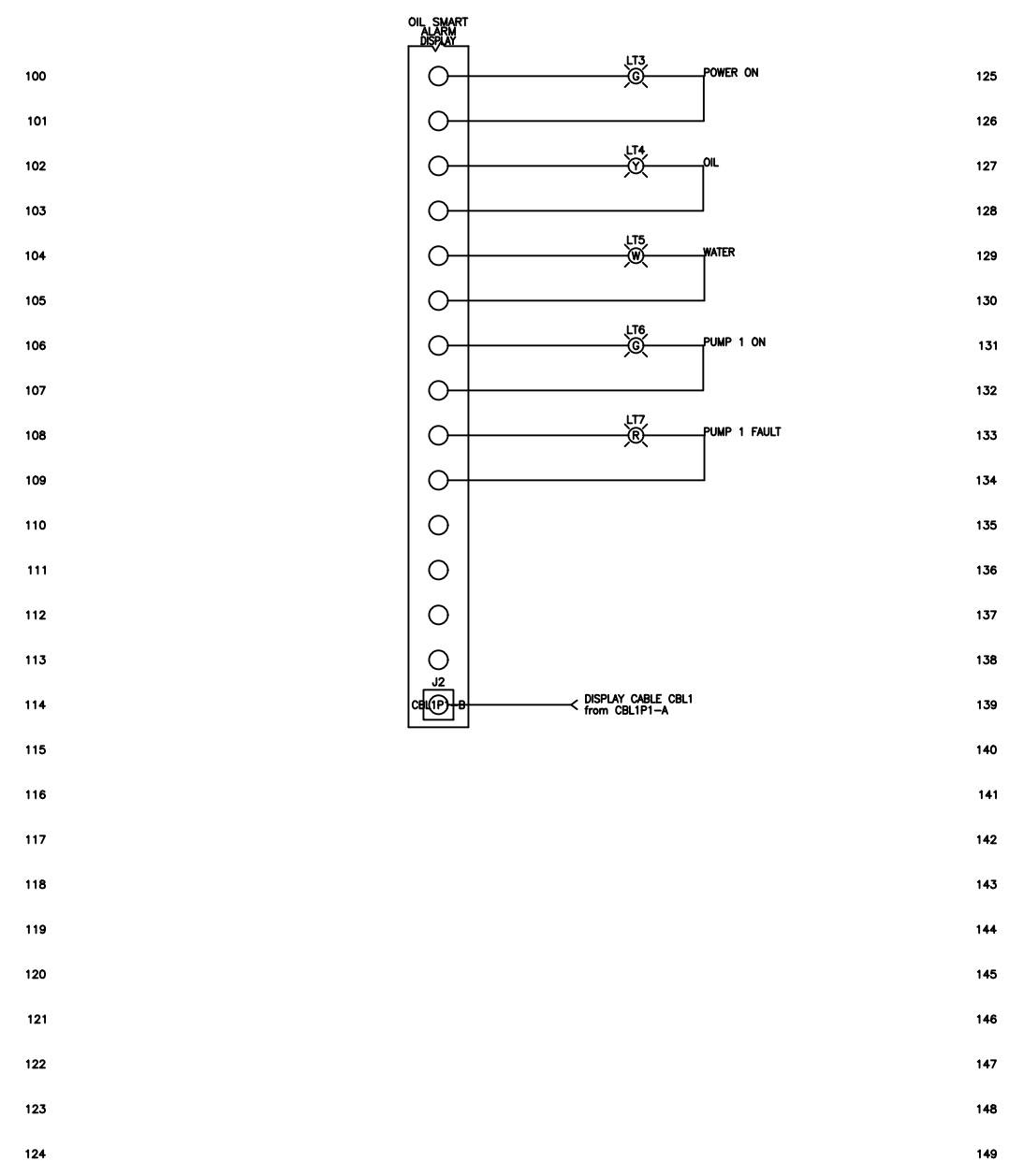
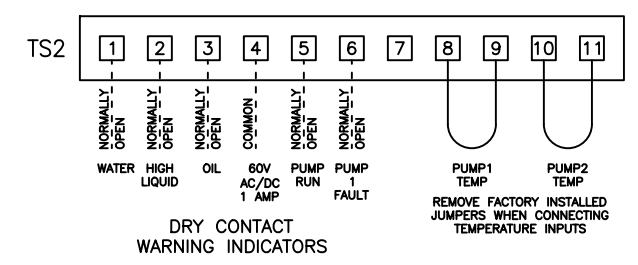
FIELD WIRING CONNECTIONS



LIQUID SMART ALARM SENSOR



PUMP SEAL FAIL RELAY



MULTI-TAP TRANSFORMER
 CONNECT FACTORY TAGGED WIRES TO L1 & L2 ON TERMINAL BLOCK 3 AND CONNECT TO APPROPRIATE TRANSFORMER PRIMARY VOLTAGE TAP. SEE BELOW FOR CONNECTIONS:

FOR 208V OPERATION, CONNECT L1 & L2 TO TRANSFORMER TAPS H1 & H2.

FOR 240V OPERATION, CONNECT L1 & L2 TO TRANSFORMER TAPS H1 & H3.

FOR 480V OPERATION, CONNECT L1 & L2 TO TRANSFORMER TAPS H1 & H4.

----- DASHED LINE INDICATES FIELD WIRING.

USE COPPER CONDUCTORS ONLY.

TEMPERATURE RATING OF CONDUCTORS IS TO BE 60°C (167°F).

BRANCH CIRCUIT PROTECTION SHALL BE PROVIDED BY THE INSTALLER; MUST BE SIZED ACCORDING TO PUMP/MOTOR MANUFACTURING SPECIFICATIONS.

VERIFY CORRECT OPERATION OF CONTROL PANEL AFTER INSTALLATION IS COMPLETE.

DRAWN BY: MM	DATE: 12/15/15	SEEWATER <i>inc.</i>			
APPROVED BY:	DATE:				
THIS DRAWING CONTAINS PROPRIETARY INFORMATION AND SHALL NOT BE USED OR DISCLOSED WITHOUT PRIOR WRITTEN AUTHORIZATION.		TITLE: IS-OSSIM-TP-300X CONTROL SCHEMATIC			
		SIZE B	DWG NO. 1573	PART NO. IS-OSSIM-TP-300X	REV C
		SCALE NONE	SHEET 3 OF 3		