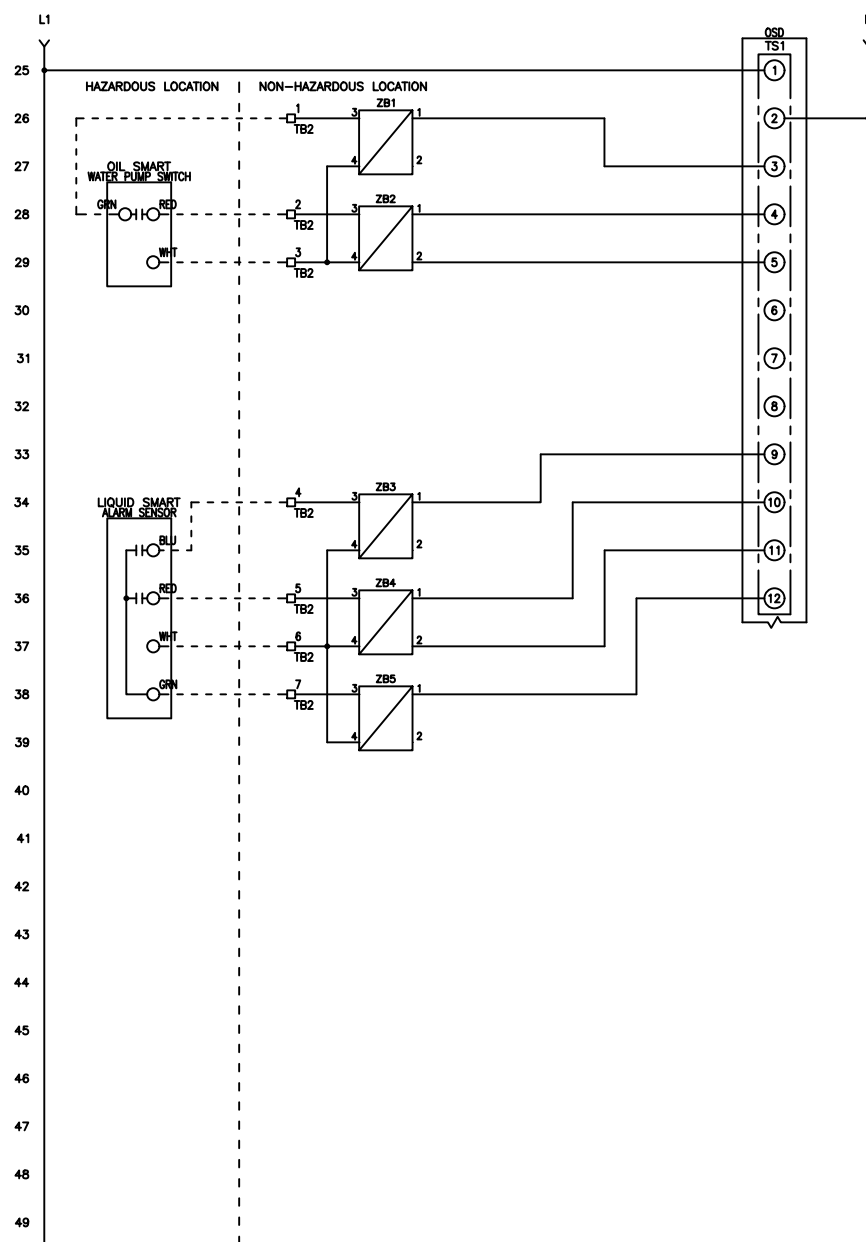
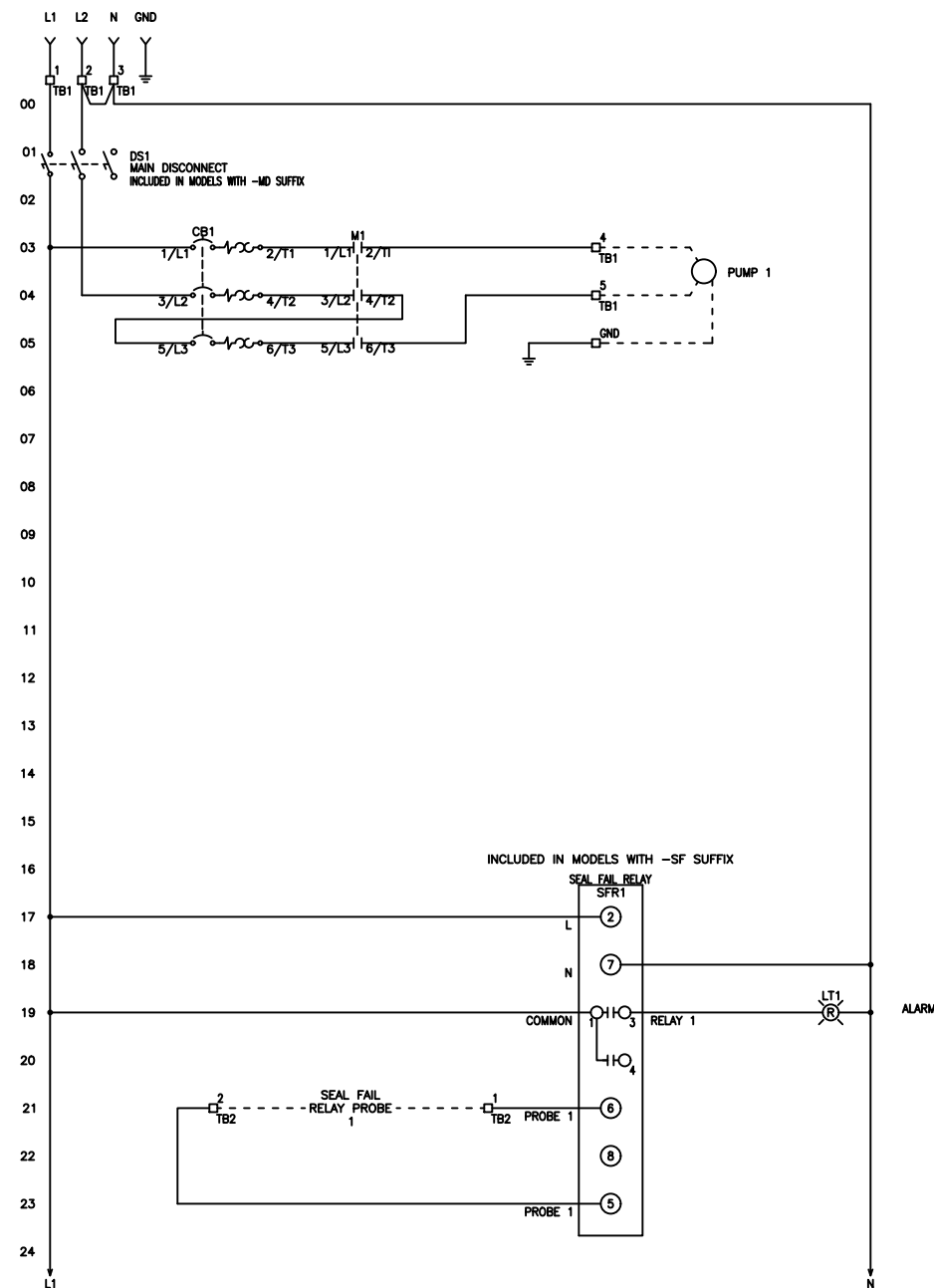


FNAME: IS-OSSIM-TP-100X

REVDATE: 0318

REVISIONS				
ZONE	REV	DESCRIPTION	DATE	APPROVED
	A	COMBINED TERMINAL BLOCKS AND REVISED CBS	9/21/17	
	B	REVISED SEAL FAIL RELAY	3/16/18	



----- DASHED LINE INDICATES FIELD WIRING.

USE COPPER CONDUCTORS ONLY.

TEMPERATURE RATING OF CONDUCTORS IS TO BE 60°C (167°F).

BRANCH CIRCUIT PROTECTION SHALL BE PROVIDED BY THE INSTALLER; MUST BE SIZED ACCORDING TO PUMP/MOTOR MANUFACTURING SPECIFICATIONS.

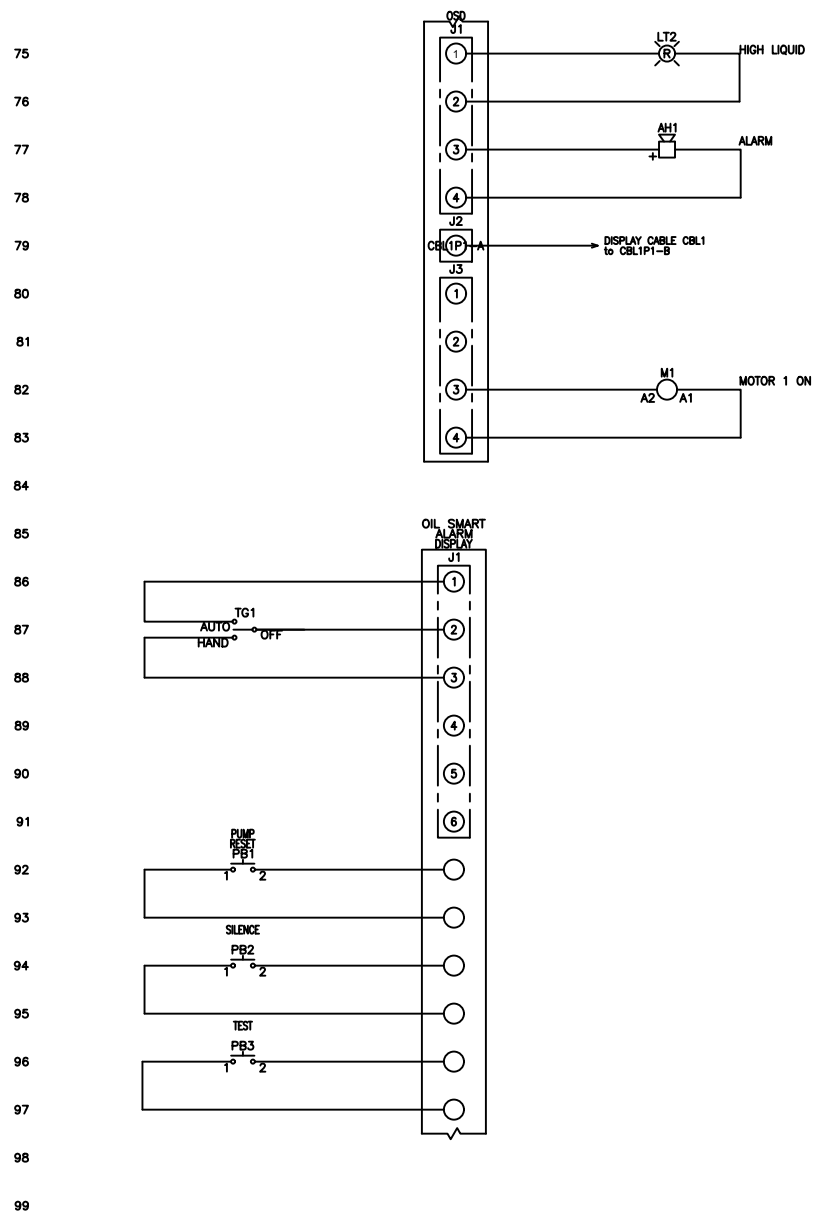
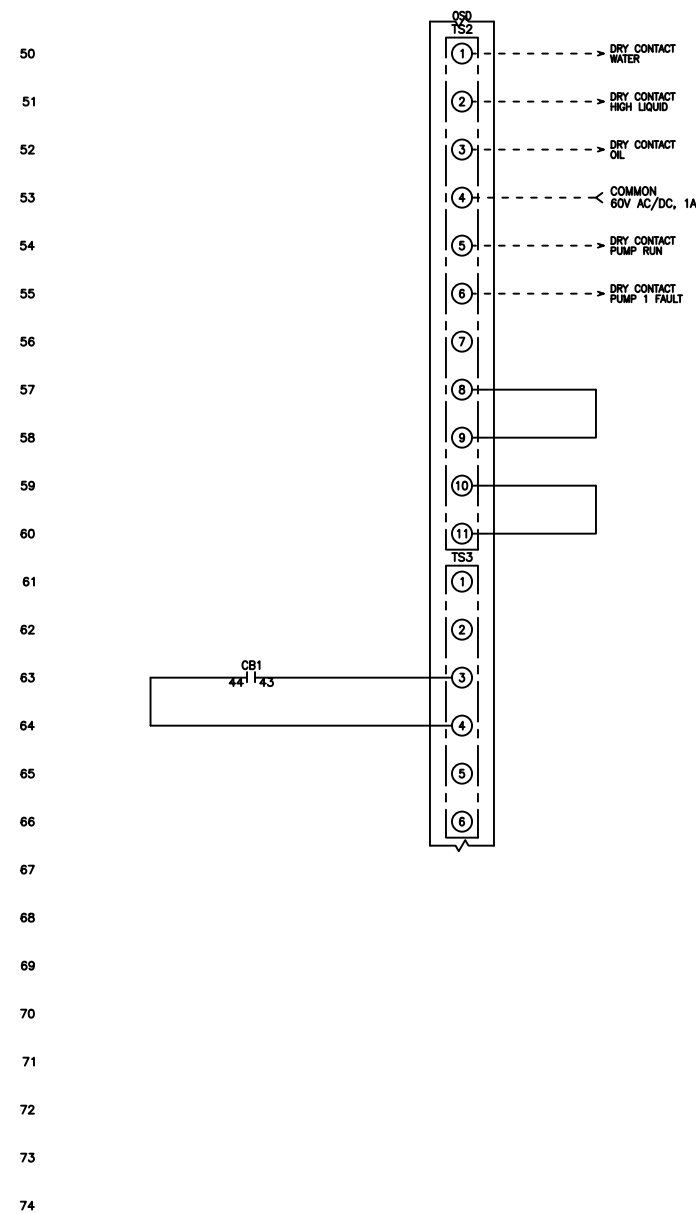
VERIFY CORRECT OPERATION OF CONTROL PANEL AFTER INSTALLATION IS COMPLETE.

DRAWN BY: MM	DATE: 12/16/15	SEEWATER <i>Inc.</i>			
APPROVED BY:	DATE:				
THIS DRAWING CONTAINS PROPRIETARY INFORMATION AND SHALL NOT BE USED OR DISCLOSED WITHOUT PRIOR WRITTEN AUTHORIZATION.		TITLE: IS-OSSIM-TP-100X CONTROL SCHEMATIC			
		SIZE B	DWG NO. 1574	PART NO. IS-OSSIM-TP-100X	REV B
		SCALE NONE	SHEET 1 OF 3		

FNAME: IS-OSSIM-TP-100X

REVDATE: 0318

REVISIONS				
ZONE	REV	DESCRIPTION	DATE	APPROVED
	A	COMBINED TERMINAL BLOCKS AND REVISED CBS	9/21/17	
	B	REVISED SEAL FAIL RELAY	3/16/18	



----- DASHED LINE INDICATES FIELD WIRING.

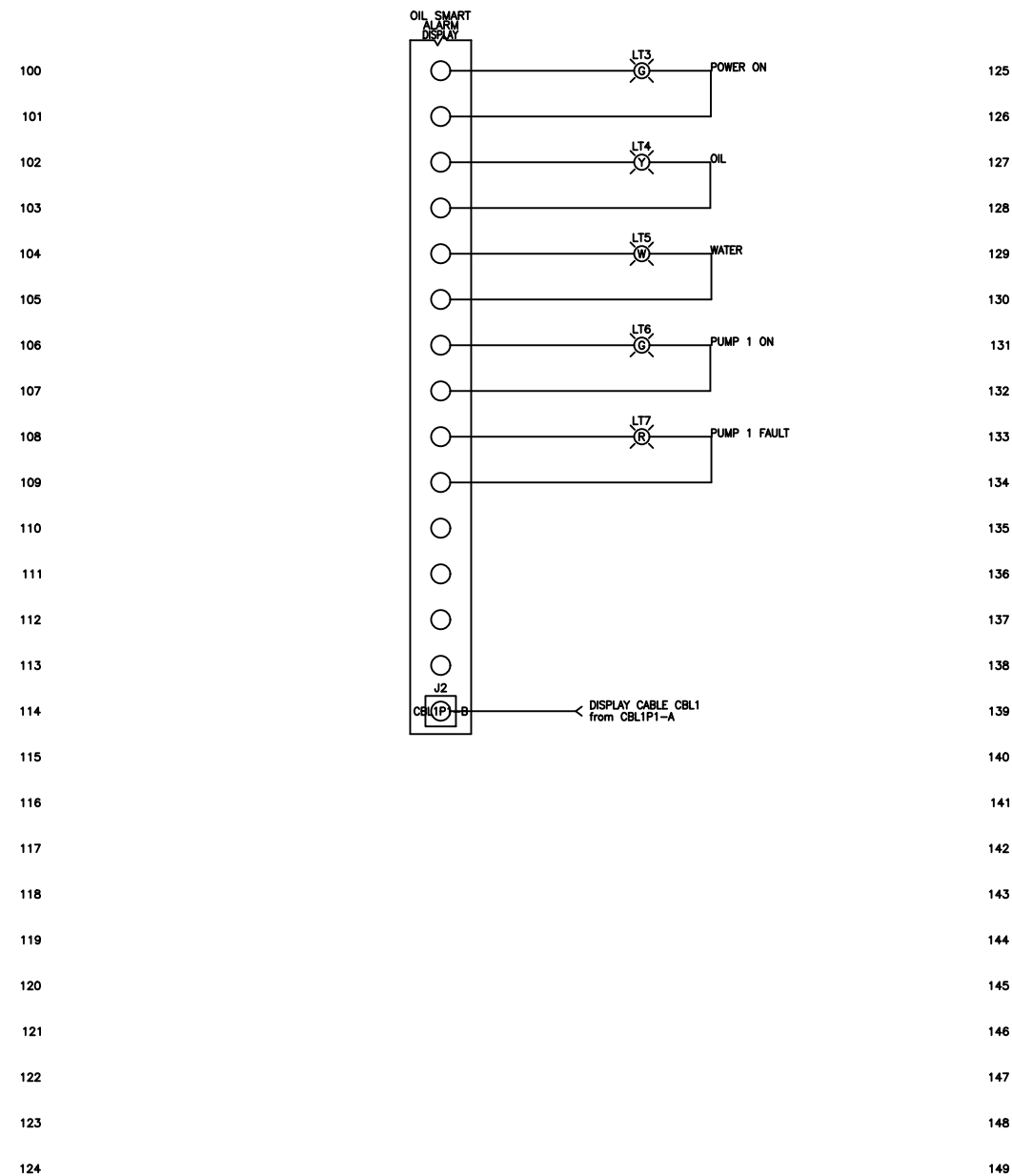
USE COPPER CONDUCTORS ONLY.
 TEMPERATURE RATING OF CONDUCTORS IS TO BE 60°C (167°F).
 BRANCH CIRCUIT PROTECTION SHALL BE PROVIDED BY THE INSTALLER; MUST BE SIZED ACCORDING TO PUMP/MOTOR MANUFACTURING SPECIFICATIONS.
 VERIFY CORRECT OPERATION OF CONTROL PANEL AFTER INSTALLATION IS COMPLETE.

DRAWN BY: MM	DATE: 12/16/15	SEEWATER <i>Inc.</i>			
APPROVED BY:	DATE:				
THIS DRAWING CONTAINS PROPRIETARY INFORMATION AND SHALL NOT BE USED OR DISCLOSED WITHOUT PRIOR WRITTEN AUTHORIZATION.		TITLE: IS-OSSIM-TP-100X CONTROL SCHEMATIC			
		SIZE B	DWG NO. 1574	PART NO. IS-OSSIM-TP-100X	REV B
		SCALE NONE	SHEET 2 OF 3		

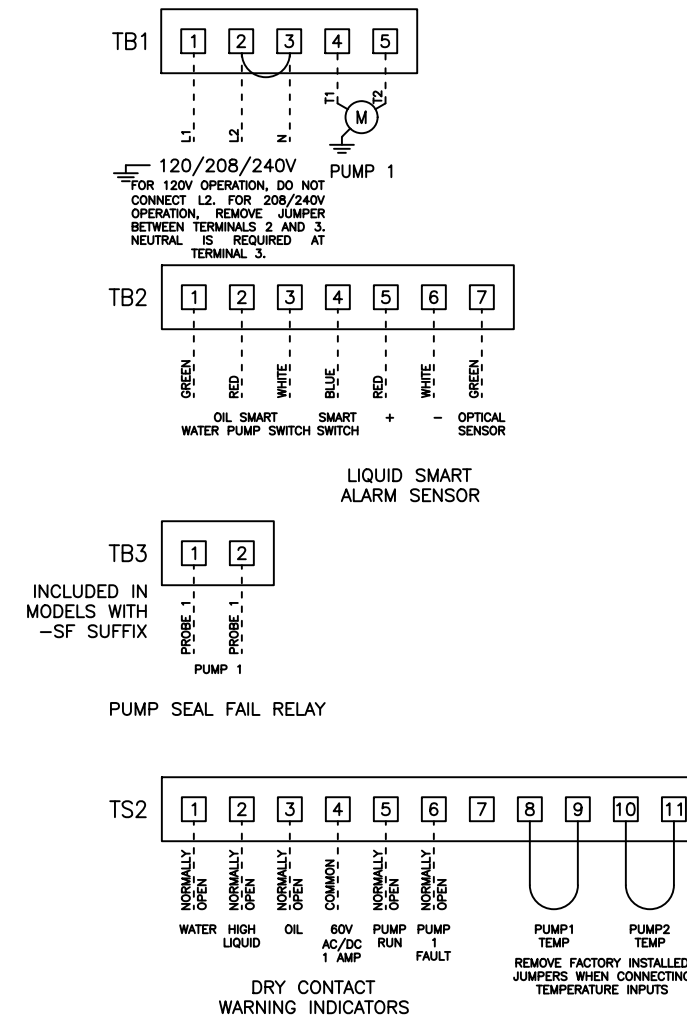
FNAME: IS-OSSIM-TP-100X

REVDATE: 0917

REVISIONS				
ZONE	REV	DESCRIPTION	DATE	APPROVED
	A	COMBINED TERMINAL BLOCKS AND REVISED CBS	9/21/17	
	B	REVISED SEAL FAIL RELAY	3/16/18	



FIELD WIRING CONNECTIONS



----- DASHED LINE INDICATES FIELD WIRING.

USE COPPER CONDUCTORS ONLY.
 TEMPERATURE RATING OF CONDUCTORS IS TO BE 60°C (167°F).
 BRANCH CIRCUIT PROTECTION SHALL BE PROVIDED BY THE INSTALLER; MUST BE SIZED ACCORDING TO PUMP/MOTOR MANUFACTURING SPECIFICATIONS.
 VERIFY CORRECT OPERATION OF CONTROL PANEL AFTER INSTALLATION IS COMPLETE.

DRAWN BY: MM	DATE: 12/16/15	SEEWATER <i>Inc.</i>			
APPROVED BY:	DATE:				
THIS DRAWING CONTAINS PROPRIETARY INFORMATION AND SHALL NOT BE USED OR DISCLOSED WITHOUT PRIOR WRITTEN AUTHORIZATION.		TITLE: IS-OSSIM-TP-100X CONTROL SCHEMATIC			
		SIZE B	DWG NO. 1574	PART NO. IS-OSSIM-TP-100X	REV A
		SCALE NONE	SHEET 3 OF 3		