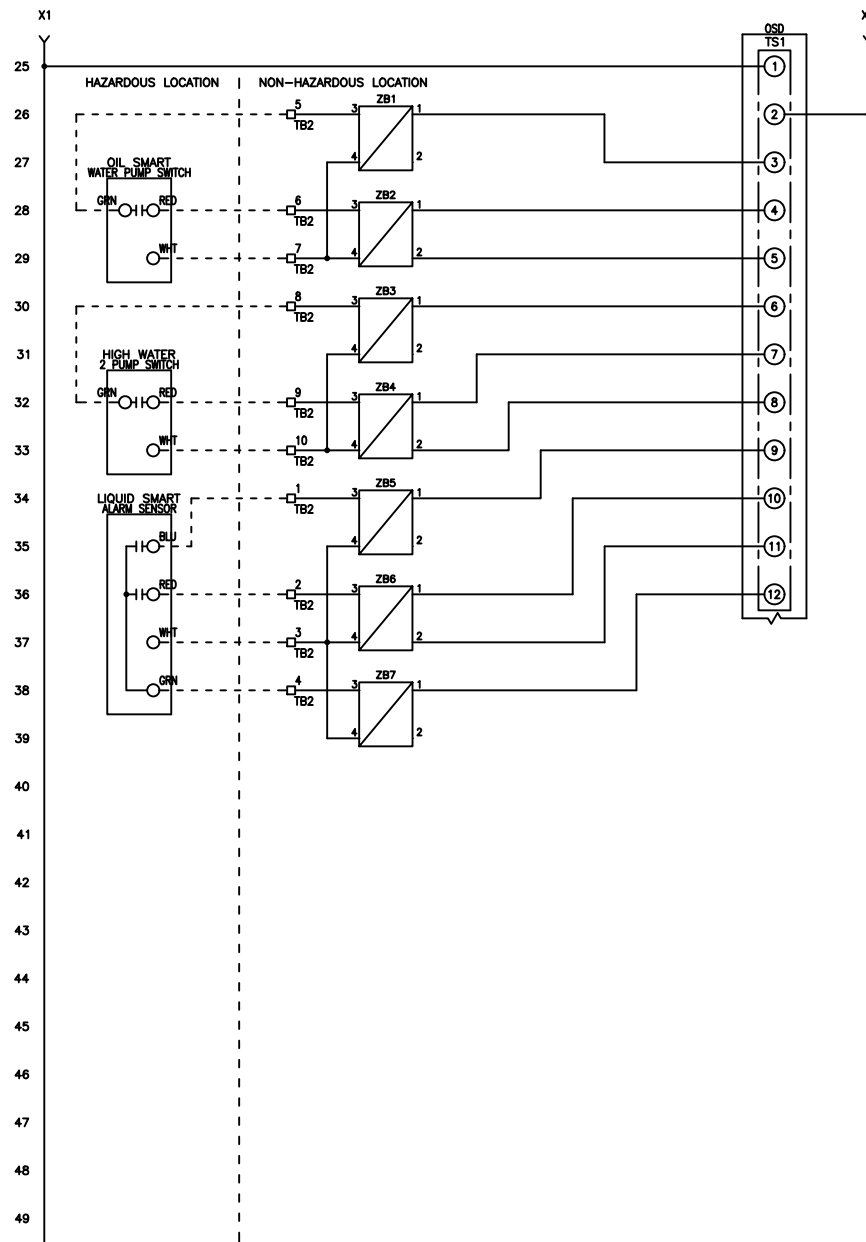
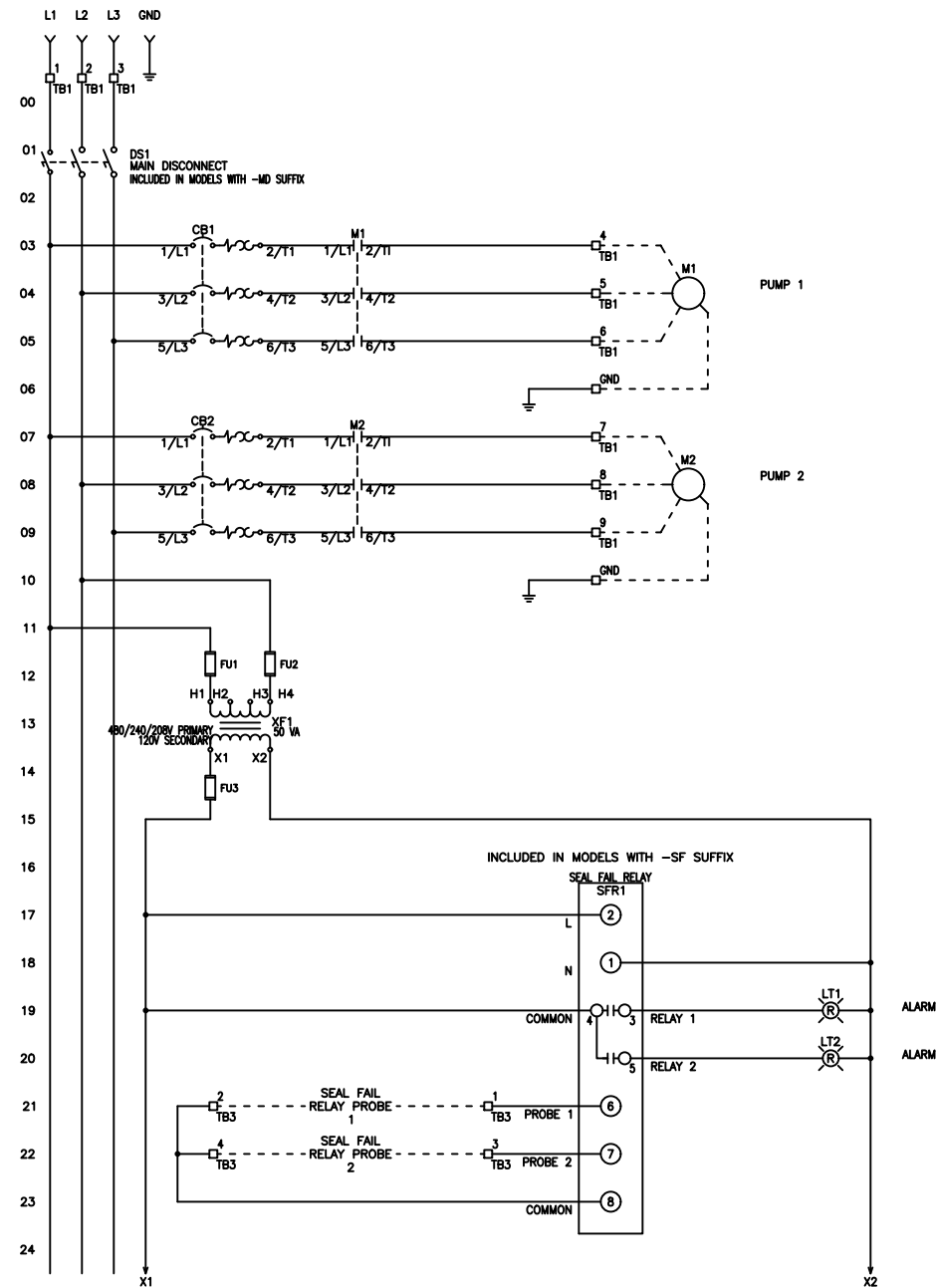


FNAME: IS-OSD3P-302X

REVDATE: 0318

REVISIONS				
ZONE	REV	DESCRIPTION	DATE	APPROVED
	A	UPDATED INSTRUCTIONS	6/15/17	
	B	REVISED CBS AND UPDATED POWER ON LIGHT	9/21/17	
	C	REVISED SEAL FAIL RELAY	3/19/18	



**MULTITAP TRANSFORMER INSTRUCTIONS:**

CONNECT FACTORY TAGGED WIRES TO APPROPRIATE TRANSFORMER VOLTAGE TAP. SEE BELOW FOR CONNECTIONS:

FOR 208V OPERATION, CONNECT TO FUSE INPUT HF & TO TRANSFORMER TAP H2

FOR 240V OPERATION, CONNECT TO FUSE INPUT HF & TO TRANSFORMER TAP H3

FOR 480V OPERATION, CONNECT TO FUSE INPUT HF & TO TRANSFORMER TAP H4

----- DASHED LINE INDICATES FIELD WIRING.

USE COPPER CONDUCTORS ONLY.

TEMPERATURE RATING OF CONDUCTORS IS TO BE 60°C (167°F).

BRANCH CIRCUIT PROTECTION SHALL BE PROVIDED BY THE INSTALLER; MUST BE SIZED ACCORDING TO PUMP/MOTOR MANUFACTURING SPECIFICATIONS.

VERIFY CORRECT OPERATION OF CONTROL PANEL AFTER INSTALLATION IS COMPLETE.

DRAWN BY: MM	DATE: 12/20/15
APPROVED BY:	DATE:



TITLE: IS-OSD3P-302X CONTROL SCHEMATIC

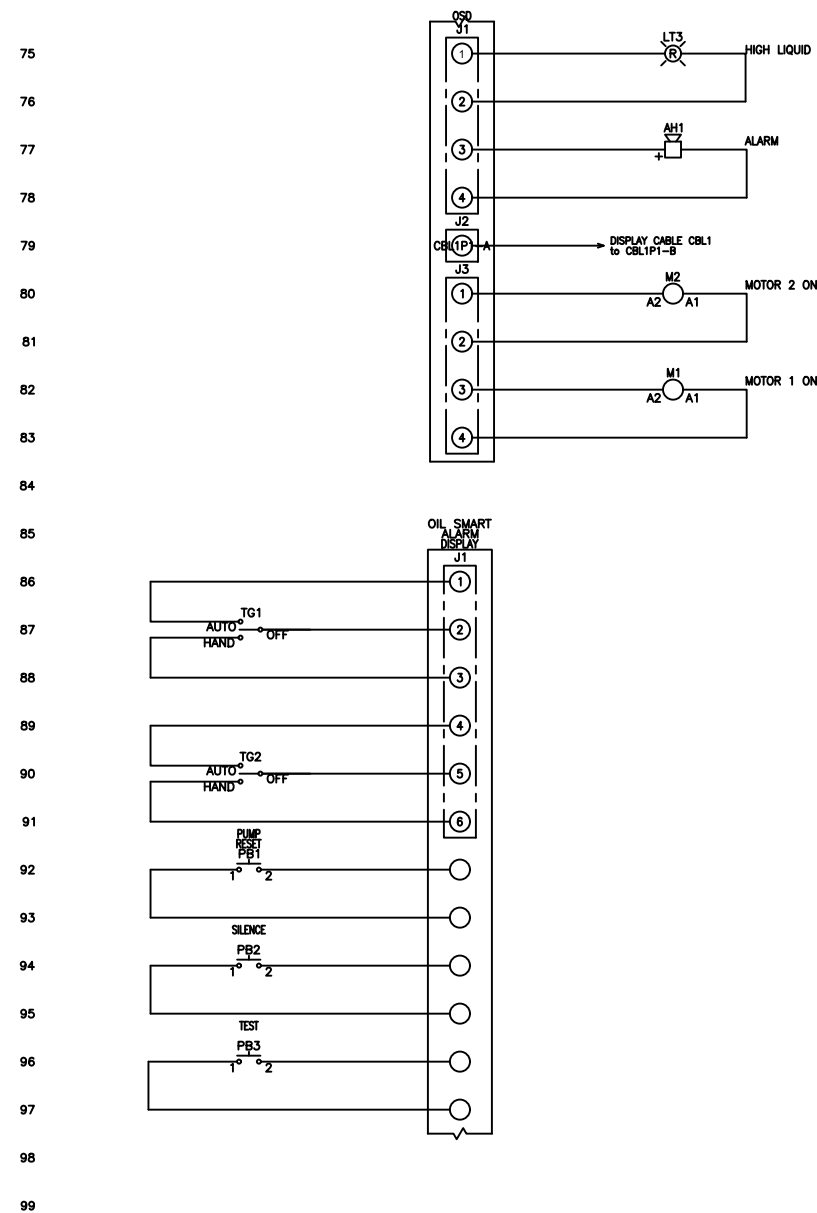
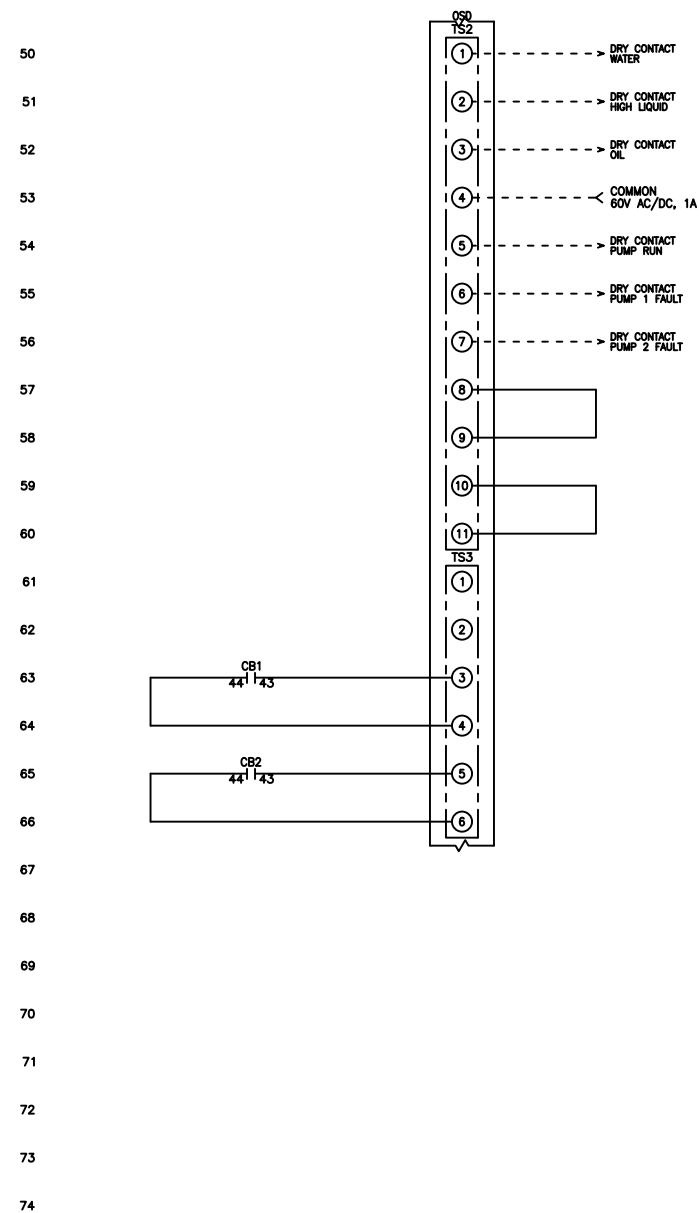
THIS DRAWING CONTAINS PROPRIETARY INFORMATION AND SHALL NOT BE USED OR DISCLOSED WITHOUT PRIOR WRITTEN AUTHORIZATION.

SIZE B	DWG NO. 1576	PART NO. IS-OSD3P-302X	REV C
SCALE NONE	SHEET 1 OF 3		

FNAME: IS-OSD3P-302X

REVDATE: 0318

REVISIONS				
ZONE	REV	DESCRIPTION	DATE	APPROVED
	A	UPDATED INSTRUCTIONS	6/15/17	
	B	REVISED CBS AND UPDATED POWER ON LIGHT	9/21/17	
	C	REVISED SEAL FAIL RELAY	3/19/18	



**MULTITAP TRANSFORMER INSTRUCTIONS:**

CONNECT FACTORY TAGGED WIRES TO APPROPRIATE TRANSFORMER VOLTAGE TAP. SEE BELOW FOR CONNECTIONS:

FOR 208V OPERATION, CONNECT TO FUSE INPUT HF & TO TRANSFORMER TAP H2

FOR 240V OPERATION, CONNECT TO FUSE INPUT HF & TO TRANSFORMER TAP H3

FOR 480V OPERATION, CONNECT TO FUSE INPUT HF & TO TRANSFORMER TAP H4

----- DASHED LINE INDICATES FIELD WIRING.

USE COPPER CONDUCTORS ONLY.

TEMPERATURE RATING OF CONDUCTORS IS TO BE 60°C (167°F).

BRANCH CIRCUIT PROTECTION SHALL BE PROVIDED BY THE INSTALLER; MUST BE SIZED ACCORDING TO PUMP/MOTOR MANUFACTURING SPECIFICATIONS.

VERIFY CORRECT OPERATION OF CONTROL PANEL AFTER INSTALLATION IS COMPLETE.

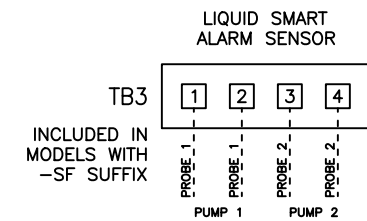
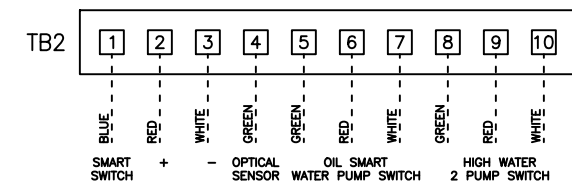
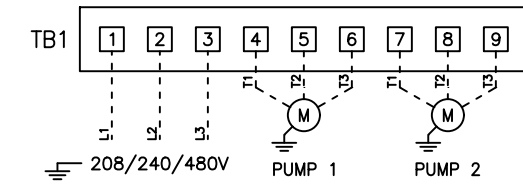
DRAWN BY: MM	DATE: 12/20/15	<b>SEEWATER</b> <i>Inc.</i>			
APPROVED BY:	DATE:				
THIS DRAWING CONTAINS PROPRIETARY INFORMATION AND SHALL NOT BE USED OR DISCLOSED WITHOUT PRIOR WRITTEN AUTHORIZATION.		TITLE: IS-OSD3P-302X CONTROL SCHEMATIC			
		SIZE B	DWG NO. 1576	PART NO. IS-OSD3P-302X	REV C
		SCALE NONE	SHEET 2 OF 3		

FNAME: IS-OSD3P-302X

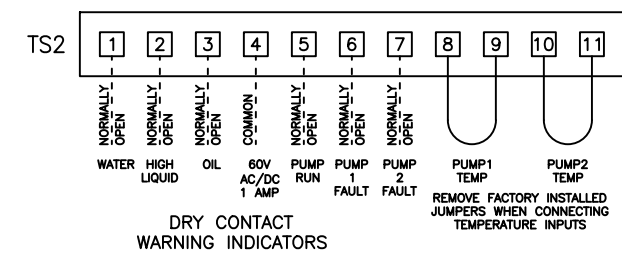
REVDATE: 0318

REVISIONS				
ZONE	REV	DESCRIPTION	DATE	APPROVED
	A	UPDATED INSTRUCTIONS	6/15/17	
	B	REVISED CBS AND UPDATED POWER ON LIGHT	9/21/17	
	C	REVISED SEAL FAIL RELAY	3/19/18	

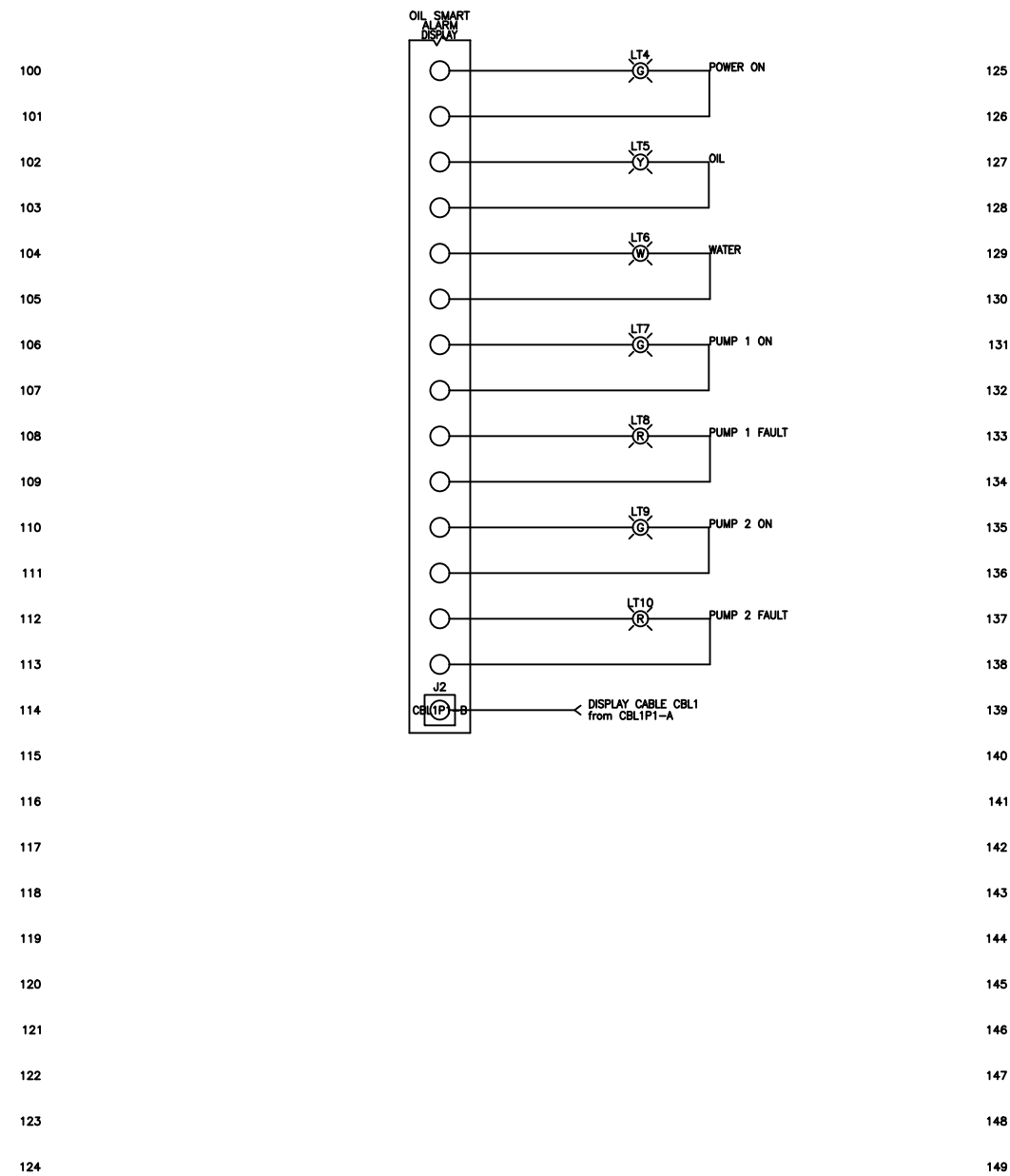
**FIELD WIRING CONNECTIONS**



**PUMP SEAL FAIL RELAY**



**DRY CONTACT WARNING INDICATORS**



**MULTITAP TRANSFORMER INSTRUCTIONS:**

CONNECT FACTORY TAGGED WIRES TO APPROPRIATE TRANSFORMER VOLTAGE TAP. SEE BELOW FOR CONNECTIONS:

FOR 208V OPERATION, CONNECT TO FUSE INPUT HF & TO TRANSFORMER TAP H2

FOR 240V OPERATION, CONNECT TO FUSE INPUT HF & TO TRANSFORMER TAP H3

FOR 480V OPERATION, CONNECT TO FUSE INPUT HF & TO TRANSFORMER TAP H4

----- DASHED LINE INDICATES FIELD WIRING.

USE COPPER CONDUCTORS ONLY.

TEMPERATURE RATING OF CONDUCTORS IS TO BE 60°C (167°F).

BRANCH CIRCUIT PROTECTION SHALL BE PROVIDED BY THE INSTALLER; MUST BE SIZED ACCORDING TO PUMP/MOTOR MANUFACTURING SPECIFICATIONS.

VERIFY CORRECT OPERATION OF CONTROL PANEL AFTER INSTALLATION IS COMPLETE.

DRAWN BY: MM		DATE: 12/20/15		<b>SEEWATER</b> <i>Inc.</i>	
APPROVED BY:		DATE:			
TITLE: IS-OSD3P-302X CONTROL SCHEMATIC					
SIZE B	DWG NO. 1576	PART NO. IS-OSD3P-302X	REV C		
SCALE NONE			SHEET 3 OF 3		

THIS DRAWING CONTAINS PROPRIETARY INFORMATION AND SHALL NOT BE USED OR DISCLOSED WITHOUT PRIOR WRITTEN AUTHORIZATION.