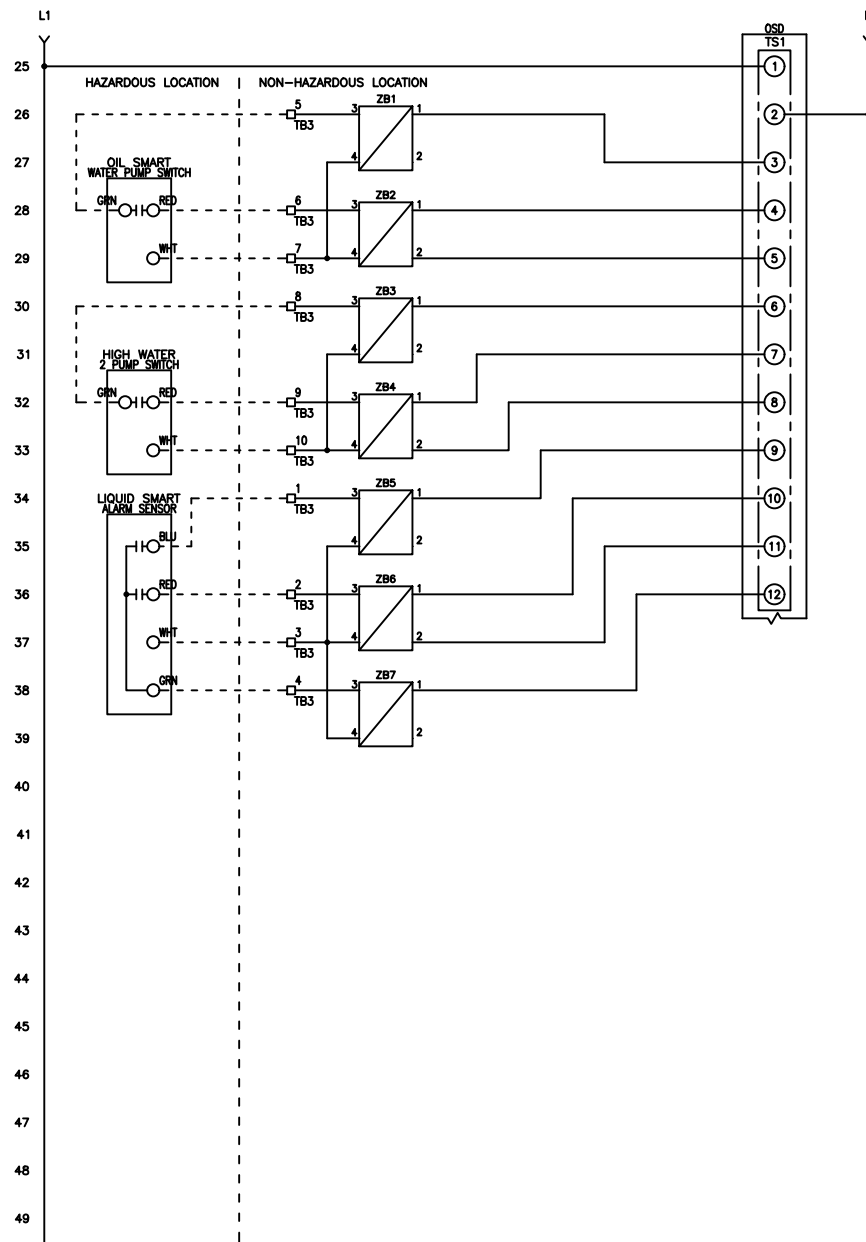
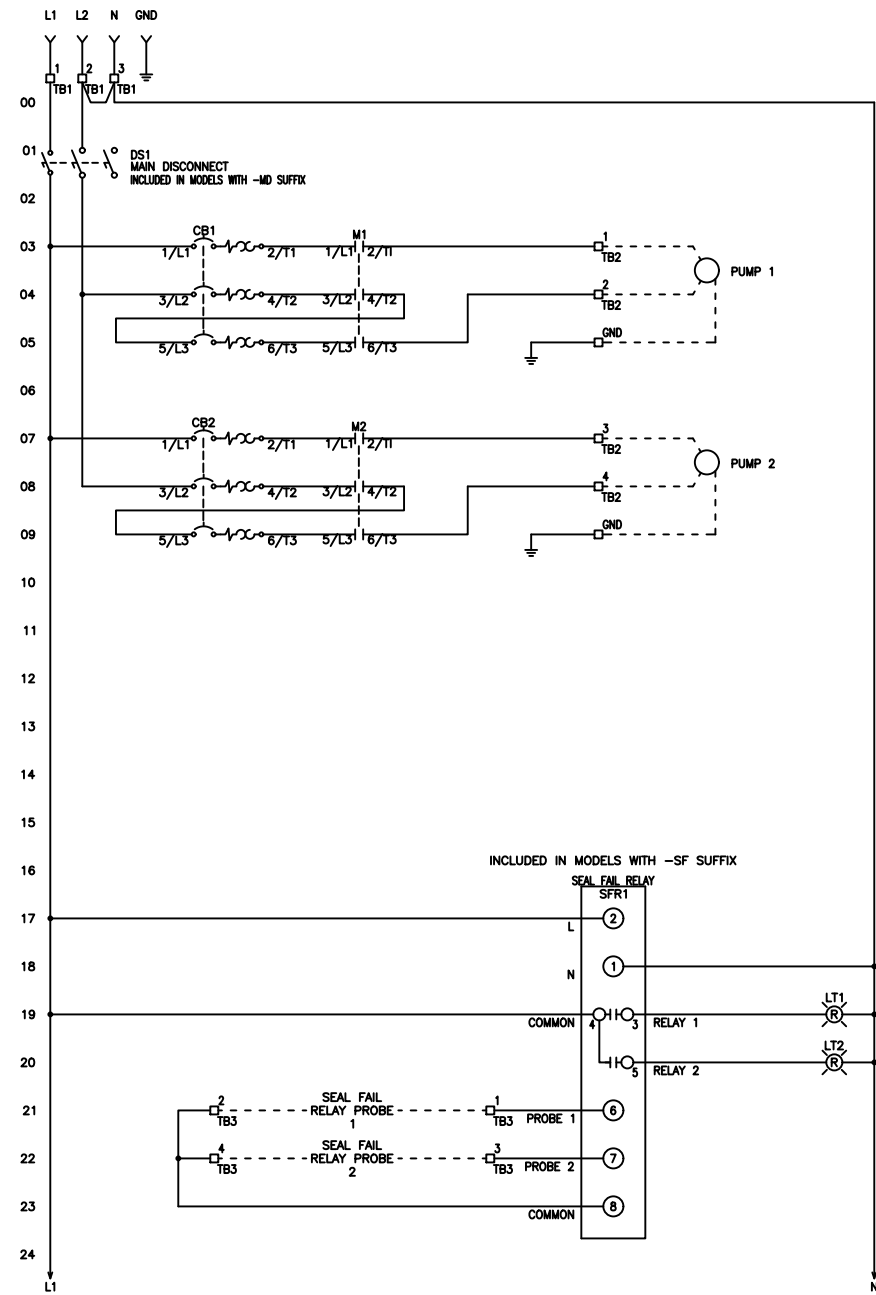


REVD: 0318 FNAME: IS-OSD1P-102X

REVISIONS				
ZONE	REV	DESCRIPTION	DATE	APPROVED
	A	SEPARATED TERMINAL BLOCKS	9/21/17	
	B	REVISED SEAL FAIL RELAY	3/16/18	



----- DASHED LINE INDICATES FIELD WIRING.

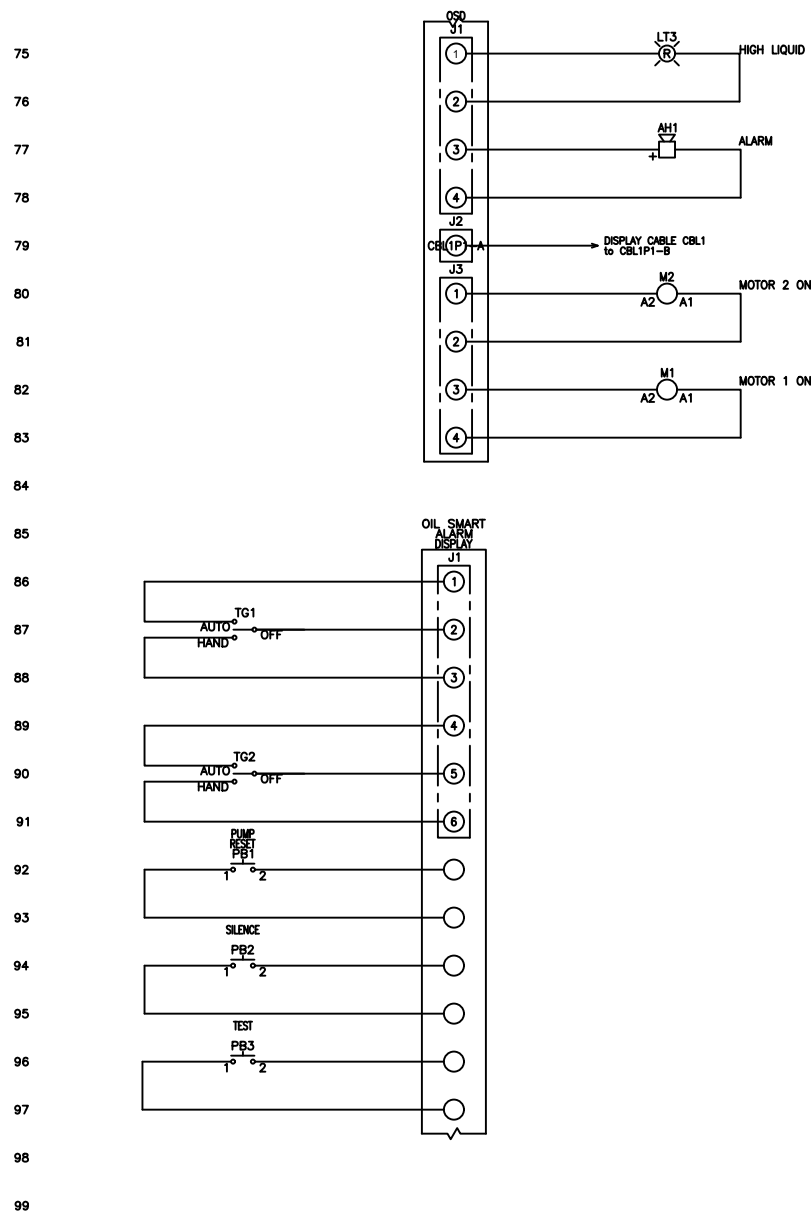
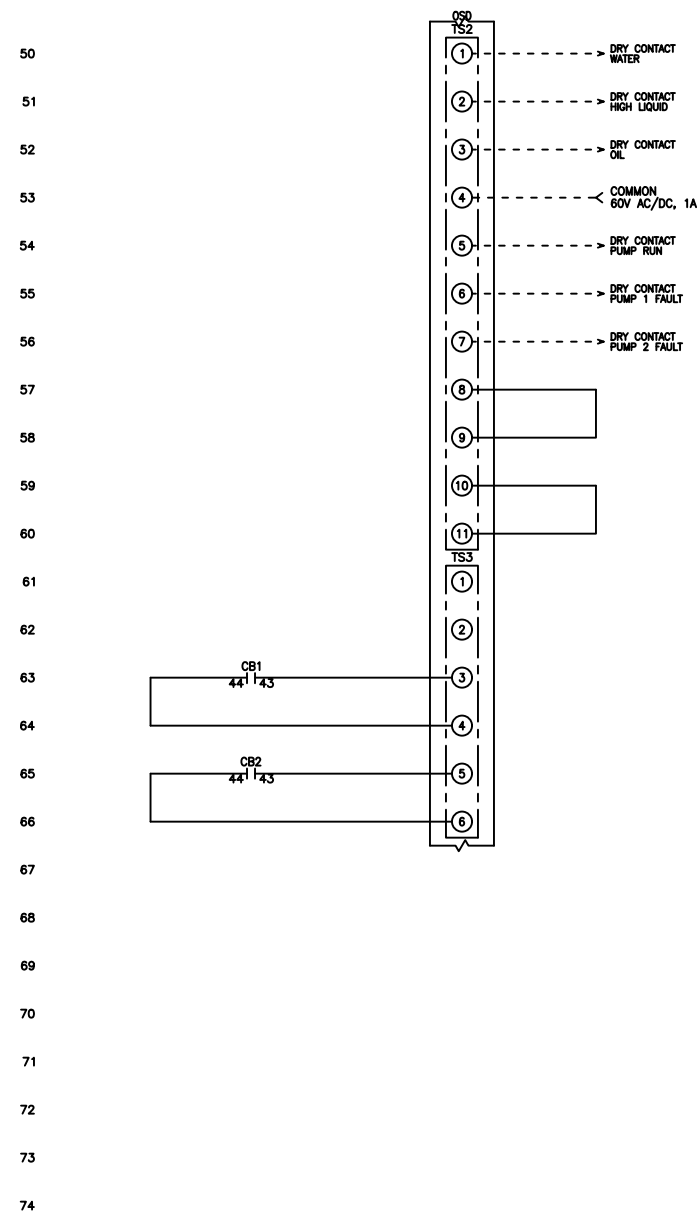
USE COPPER CONDUCTORS ONLY.
 TEMPERATURE RATING OF CONDUCTORS IS TO BE 60°C (167°F).
 BRANCH CIRCUIT PROTECTION SHALL BE PROVIDED BY THE INSTALLER; MUST BE SIZED ACCORDING TO PUMP/MOTOR MANUFACTURING SPECIFICATIONS.
 VERIFY CORRECT OPERATION OF CONTROL PANEL AFTER INSTALLATION IS COMPLETE.

DRAWN BY: MM	DATE: 12/21/15				
APPROVED BY:	DATE:				
THIS DRAWING CONTAINS PROPRIETARY INFORMATION AND SHALL NOT BE USED OR DISCLOSED WITHOUT PRIOR WRITTEN AUTHORIZATION.		TITLE: IS-OSD1P-102X CONTROL SCHEMATIC			
		SIZE B	DWG NO. 449	PART NO. IS-OSD1P-102X	REV B
		SCALE NONE		SHEET 1 OF 3	

FILENAME: IS-OSD1P-102X

REVDATE: 0318

REVISIONS				
ZONE	REV	DESCRIPTION	DATE	APPROVED
	A	SEPARATED TERMINAL BLOCKS	9/21/17	
	B	REVISED SEAL FAIL RELAY	3/16/18	



----- DASHED LINE INDICATES FIELD WIRING.

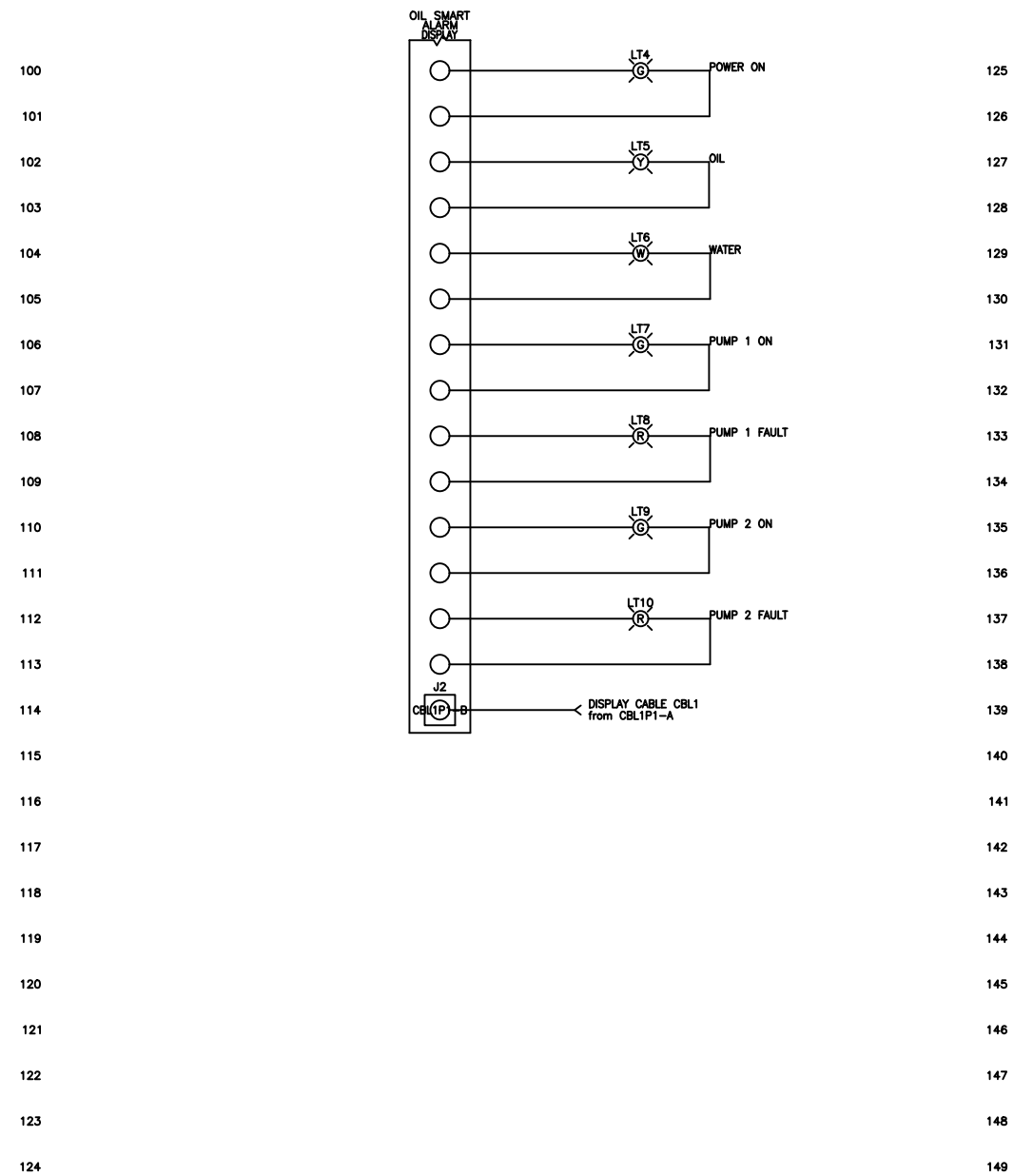
USE COPPER CONDUCTORS ONLY.
TEMPERATURE RATING OF CONDUCTORS IS TO BE 60°C (167°F).
BRANCH CIRCUIT PROTECTION SHALL BE PROVIDED BY THE INSTALLER; MUST BE SIZED ACCORDING TO PUMP/MOTOR MANUFACTURING SPECIFICATIONS.
VERIFY CORRECT OPERATION OF CONTROL PANEL AFTER INSTALLATION IS COMPLETE.

DRAWN BY: MM	DATE: 12/21/15	SEEWATER <i>Inc.</i>			
APPROVED BY:	DATE:				
THIS DRAWING CONTAINS PROPRIETARY INFORMATION AND SHALL NOT BE USED OR DISCLOSED WITHOUT PRIOR WRITTEN AUTHORIZATION.		TITLE: IS-OSD1P-102X CONTROL SCHEMATIC			
		SIZE B	DWG NO. 449	PART NO. IS-OSD1P-102X	REV A
		SCALE NONE	SHEET 2 OF 3		

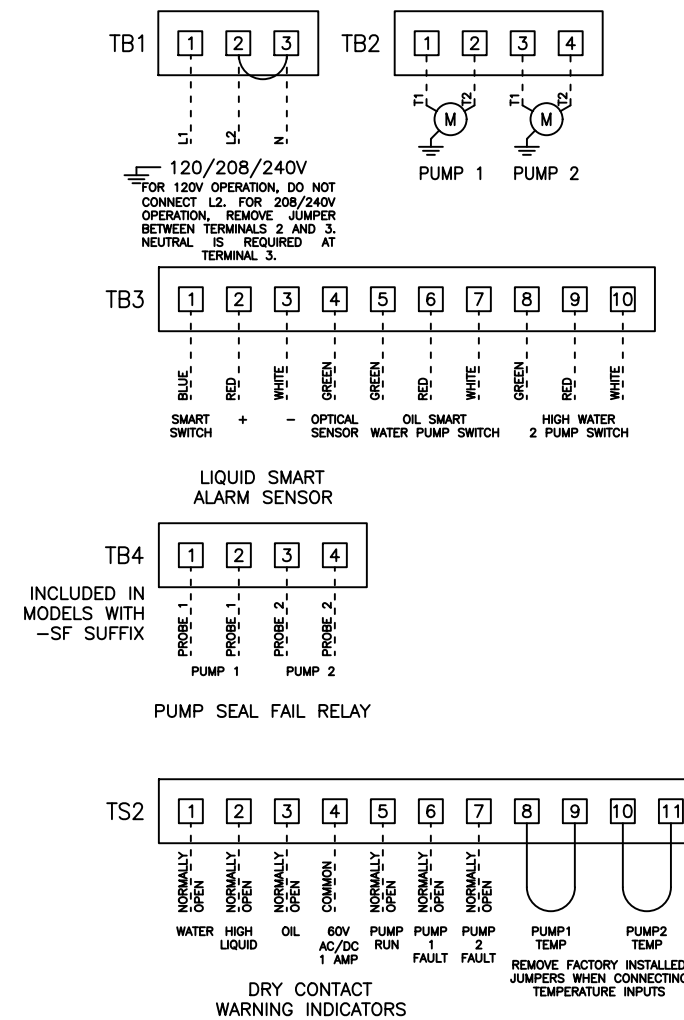
FNAME: IS-OSD1P-102X

REVDATE: 0318

REVISIONS				
ZONE	REV	DESCRIPTION	DATE	APPROVED
	A	SEPARATED TERMINAL BLOCKS	9/21/17	
	B	REVISED SEAL FAIL RELAY	3/16/18	



FIELD WIRING CONNECTIONS



----- DASHED LINE INDICATES FIELD WIRING.

USE COPPER CONDUCTORS ONLY.
 TEMPERATURE RATING OF CONDUCTORS IS TO BE 60°C (167°F).
 BRANCH CIRCUIT PROTECTION SHALL BE PROVIDED BY THE INSTALLER; MUST BE SIZED ACCORDING TO PUMP/MOTOR MANUFACTURING SPECIFICATIONS.
 VERIFY CORRECT OPERATION OF CONTROL PANEL AFTER INSTALLATION IS COMPLETE.

DRAWN BY: MM		DATE: 12/21/15		SEEWATER <i>Inc.</i>	
APPROVED BY:		DATE:			
TITLE: IS-OSD1P-102X CONTROL SCHEMATIC					
SIZE B	DWG NO. 449	PART NO. IS-OSD1P-102X		REV A	
SCALE NONE			SHEET 3 OF 3		