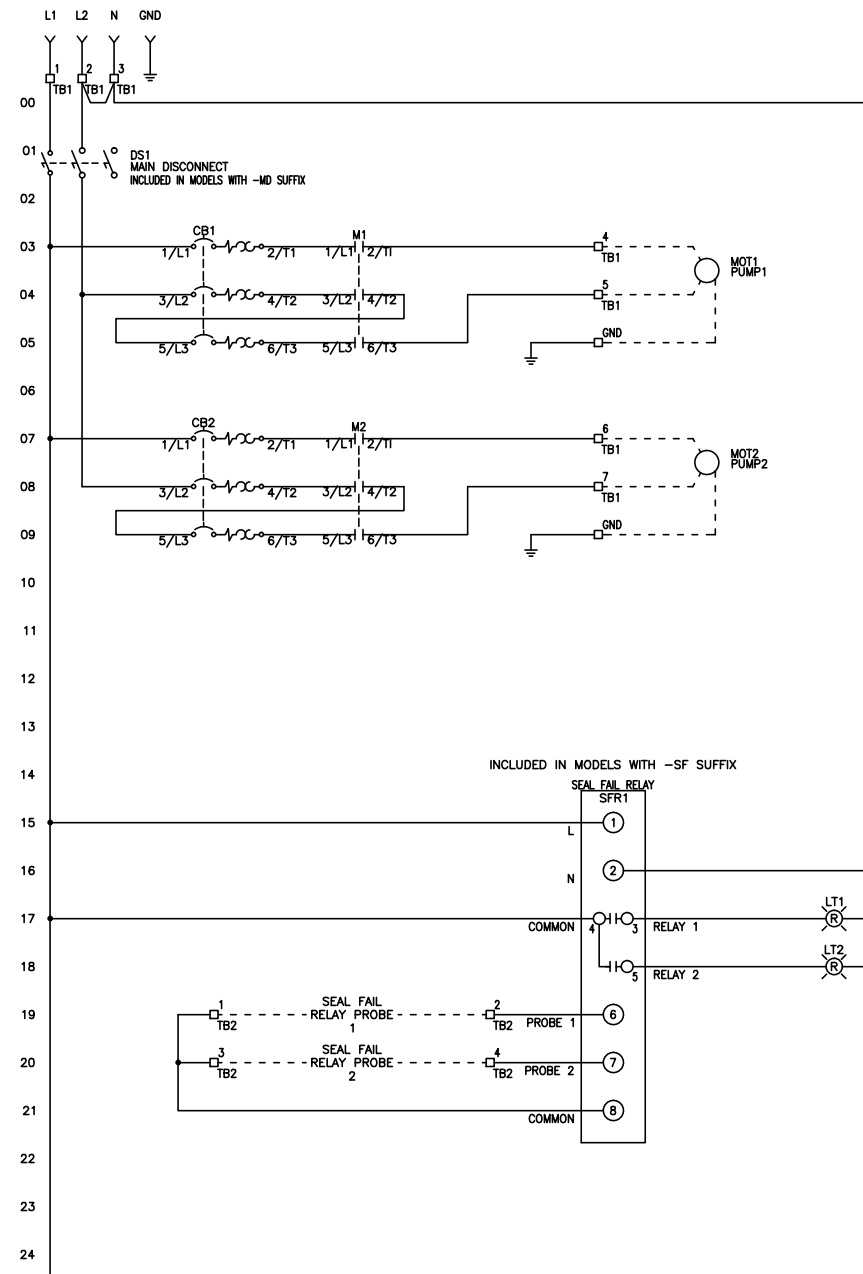


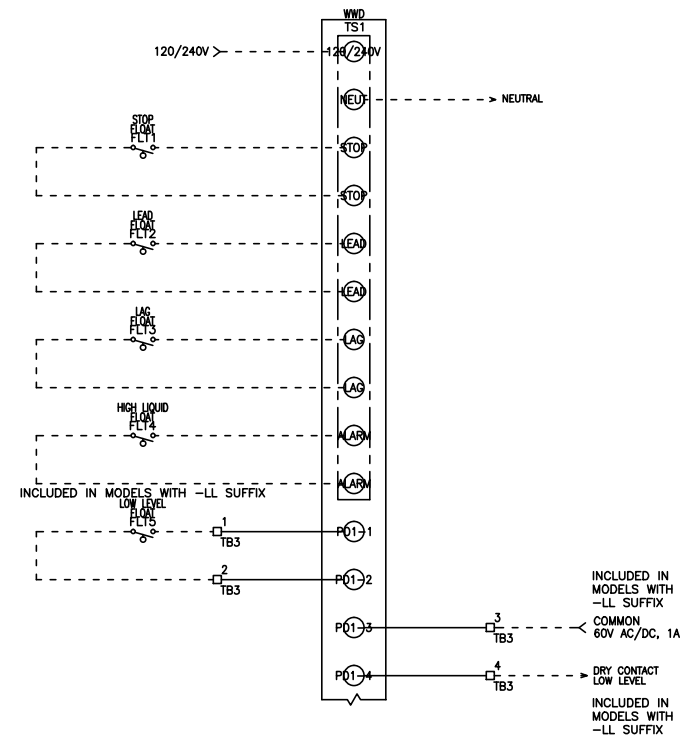
FNAME: WD1P-4-102X

REVDATE: 0516

REVISIONS				
ZONE	REV	DESCRIPTION	DATE	APPROVED
	A	ADDITION OF OPTIONAL SEAL FAIL RELAY	1/11/15	
	B	ADDITION OF NEUTRAL JUMPER	5/20/15	
	C	ADDITION OF OPTIONAL LOW LEVEL ALARM	5/2/16	



25
26
27
28
29
30
31
32
33
34
35
36
37
38
39
40
41
42
43
44
45
46
47
48
49



----- DASHED LINE INDICATES FIELD WIRING.

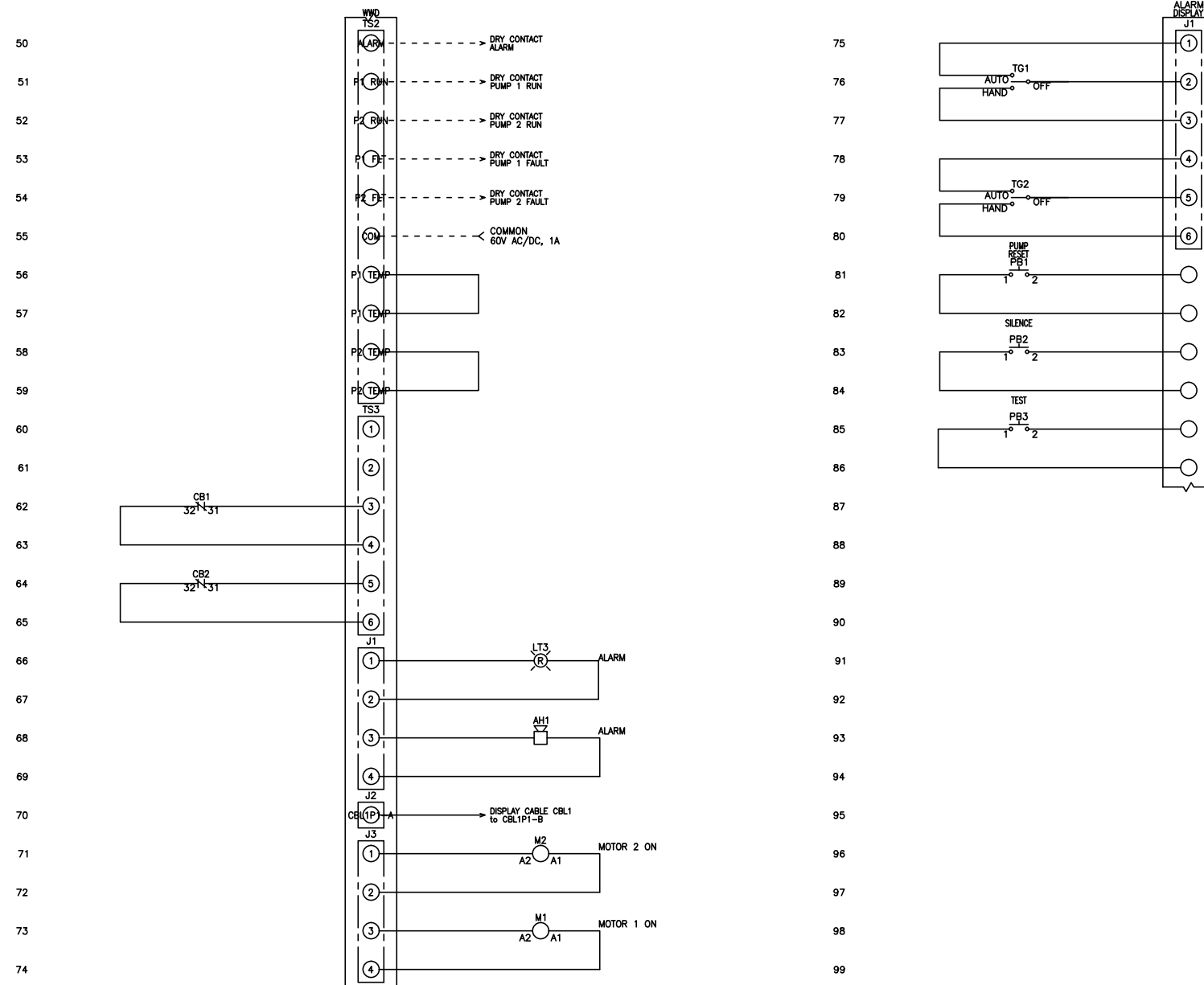
USE COPPER CONDUCTORS ONLY.
 TEMPERATURE RATING OF CONDUCTORS IS TO BE 60°C (167°F).
 BRANCH CIRCUIT PROTECTION SHALL BE PROVIDED BY THE INSTALLER; MUST BE SIZED ACCORDING TO PUMP/MOTOR MANUFACTURING SPECIFICATIONS.
 VERIFY CORRECT OPERATION OF CONTROL PANEL AFTER INSTALLATION IS COMPLETE.

DRAWN BY: MM	DATE: 11/4/14				
APPROVED BY:	DATE:				
THIS DRAWING CONTAINS PROPRIETARY INFORMATION AND SHALL NOT BE USED OR DISCLOSED WITHOUT PRIOR WRITTEN AUTHORIZATION.		TITLE: WD1P-4-102X CONTROL SCHEMATIC			
		SIZE B	DWG NO. 1525	PART NO. WD1P-4-102X	REV C
		SCALE NONE	SHEET 1 OF 3		

FNAME: WD1P-4-102X

REVDATE: 0516

REVISIONS				
ZONE	REV	DESCRIPTION	DATE	APPROVED
	A	ADDITION OF OPTIONAL SEAL FAIL RELAY	1/11/15	
	B	ADDITION OF NEUTRAL JUMPER	5/20/15	
	C	ADDITION OF OPTIONAL LOW LEVEL ALARM	5/2/16	



----- DASHED LINE INDICATES FIELD WIRING.

USE COPPER CONDUCTORS ONLY.
 TEMPERATURE RATING OF CONDUCTORS IS TO BE 60°C (167°F).
 BRANCH CIRCUIT PROTECTION SHALL BE PROVIDED BY THE INSTALLER; MUST BE SIZED ACCORDING TO PUMP/MOTOR MANUFACTURING SPECIFICATIONS.
 VERIFY CORRECT OPERATION OF CONTROL PANEL AFTER INSTALLATION IS COMPLETE.

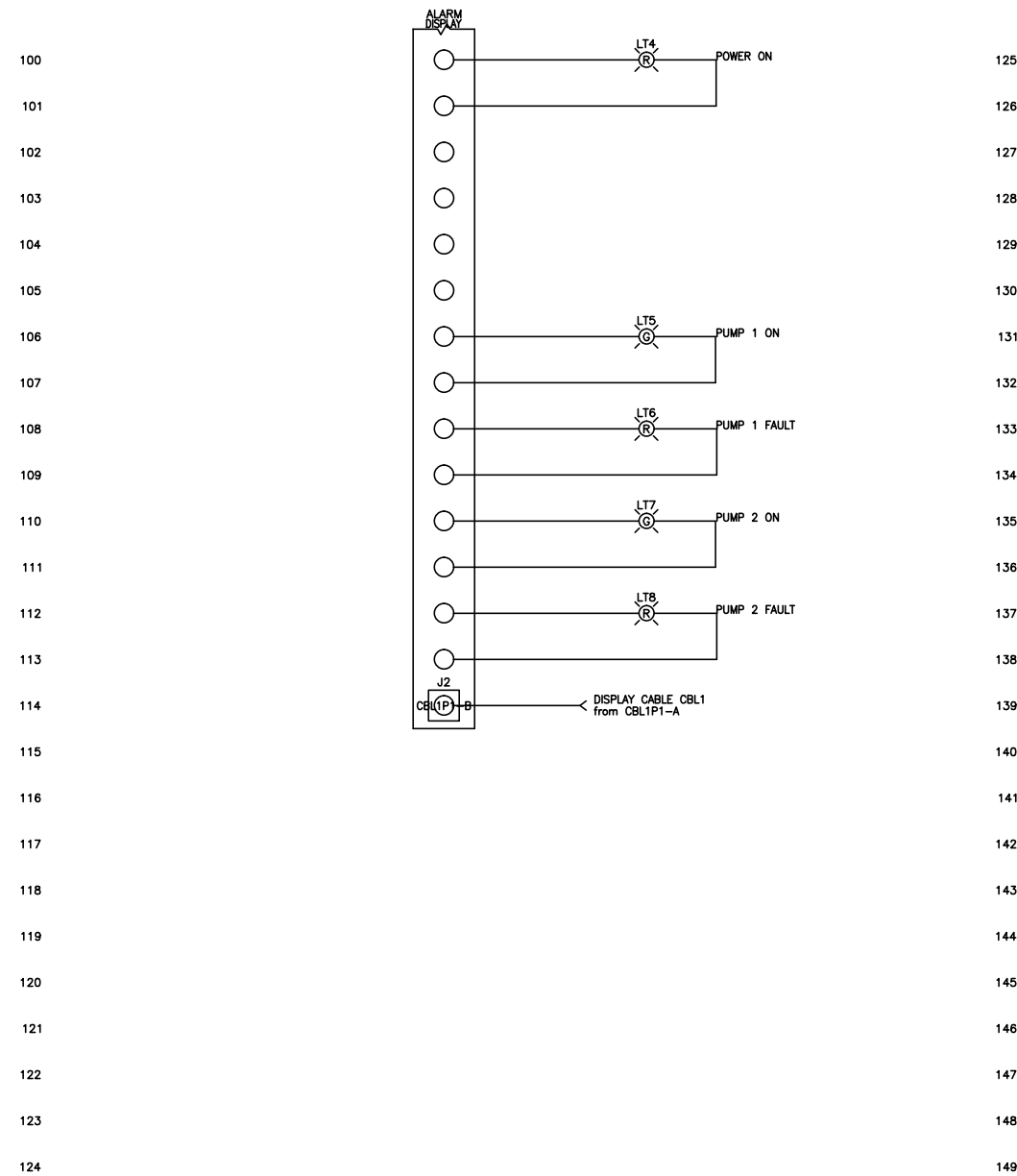
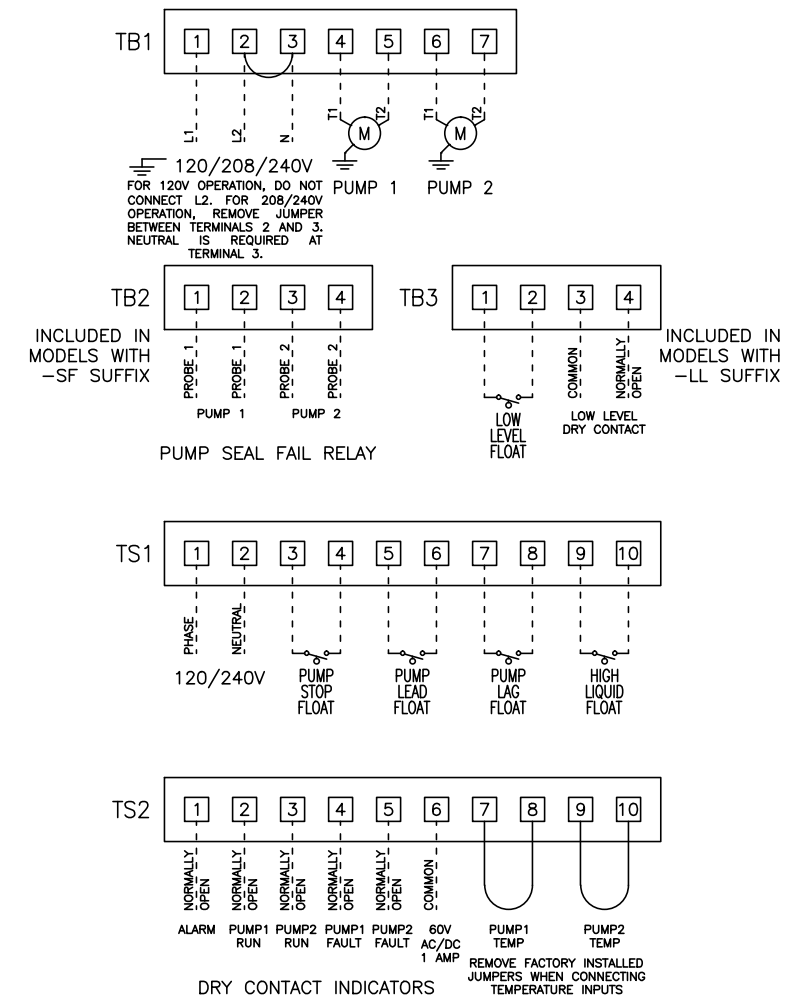
DRAWN BY: MM	DATE: 11/4/14				
APPROVED BY:	DATE:				
THIS DRAWING CONTAINS PROPRIETARY INFORMATION AND SHALL NOT BE USED OR DISCLOSED WITHOUT PRIOR WRITTEN AUTHORIZATION.		TITLE: WD1P-4-102X CONTROL SCHEMATIC			
		SIZE B	DWG NO. 1525	PART NO. WD1P-4-102X	REV C
		SCALE NONE	SHEET 2 OF 3		

FNAME: WD1P-4-102X

REVDATE: 0516

REVISIONS				
ZONE	REV	DESCRIPTION	DATE	APPROVED
	A	ADDITION OF OPTIONAL SEAL FAIL RELAY	1/11/15	
	B	ADDITION OF NEUTRAL JUMPER	5/20/15	
	C	ADDITION OF OPTIONAL LOW LEVEL ALARM	5/2/16	

FIELD WIRING CONNECTIONS



----- DASHED LINE INDICATES FIELD WIRING.

USE COPPER CONDUCTORS ONLY.
TEMPERATURE RATING OF CONDUCTORS IS TO BE 60°C (167°F).
BRANCH CIRCUIT PROTECTION SHALL BE PROVIDED BY THE INSTALLER; MUST BE SIZED ACCORDING TO PUMP/MOTOR MANUFACTURING SPECIFICATIONS.
VERIFY CORRECT OPERATION OF CONTROL PANEL AFTER INSTALLATION IS COMPLETE.

DRAWN BY: MM	DATE: 11/4/14				
APPROVED BY:	DATE:				
THIS DRAWING CONTAINS PROPRIETARY INFORMATION AND SHALL NOT BE USED OR DISCLOSED WITHOUT PRIOR WRITTEN AUTHORIZATION.		TITLE: WD1P-4-102X CONTROL SCHEMATIC			
		SIZE B	DWG NO. 1525	PART NO. WD1P-4-102X	REV C
		SCALE NONE	SHEET 3 OF 3		