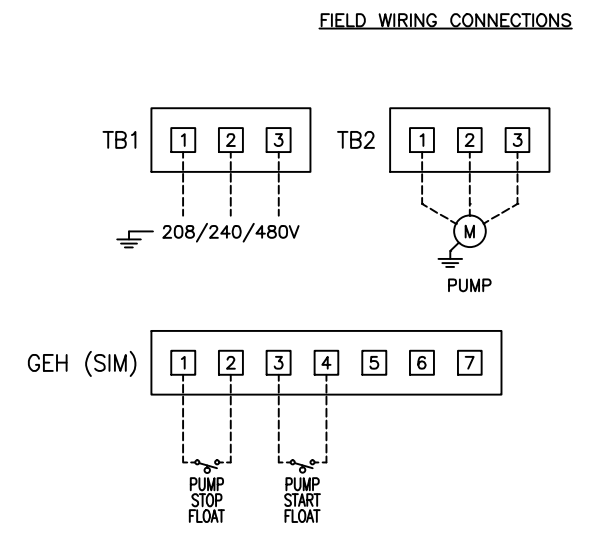
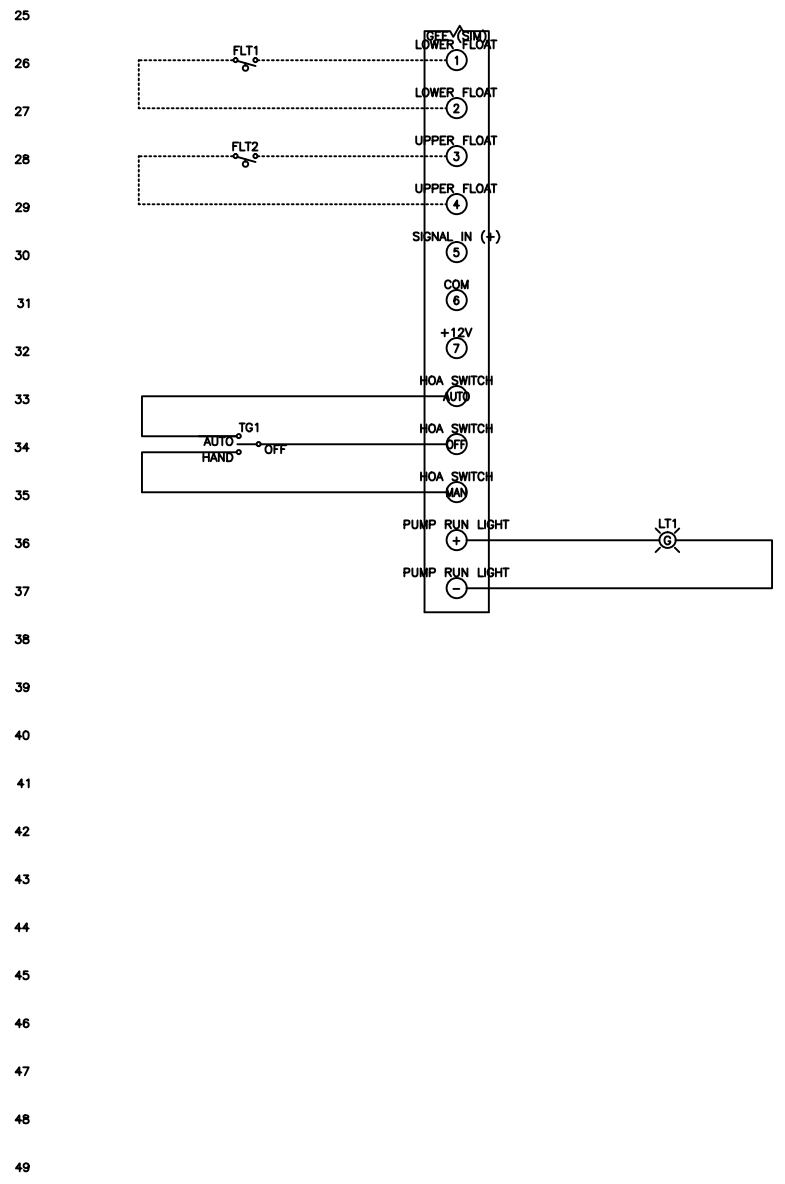
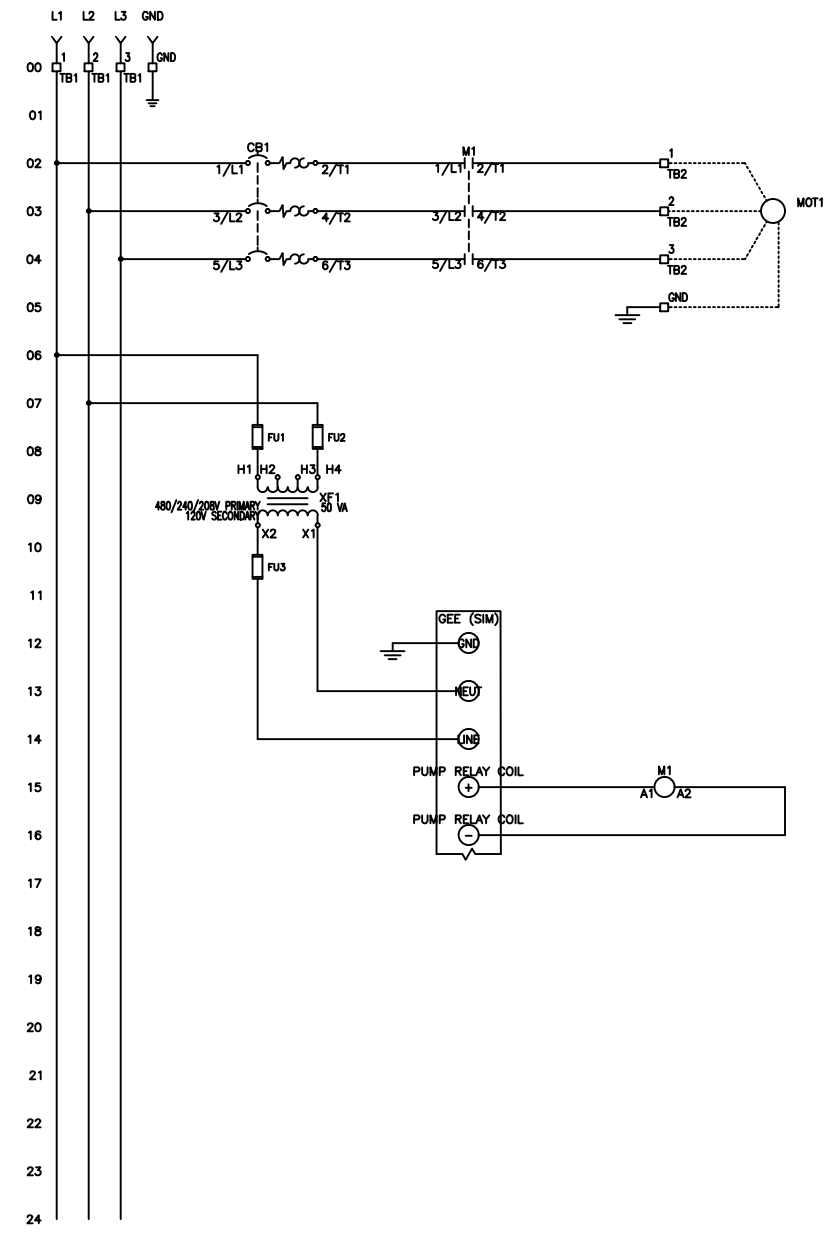


REVDATE: 0517 FNAME: SIM3-X

REVISIONS				
ZONE	REV	DESCRIPTION	DATE	APPROVED
	A	UPDATED INSTRUCTIONS	5/25/17	



MULTITAP TRANSFORMER INSTRUCTIONS:
 PANEL IS WIRED FOR 480V OPERATION.
 CONNECT FACTORY TAGGED WIRES TO APPROPRIATE TRANSFORMER VOLTAGE TAP. SEE BELOW FOR CONNECTIONS:
 FOR 208V OPERATION, CONNECT TO FUSE INPUT HF & TO TRANSFORMER TAP H2
 FOR 240V OPERATION, CONNECT TO FUSE INPUT HF & TO TRANSFORMER TAP H3

----- DASHED LINE INDICATES FIELD WIRING.

USE COPPER CONDUCTORS ONLY.
 TEMPERATURE RATING OF CONDUCTORS IS TO BE 60°C (167°F).
 BRANCH CIRCUIT PROTECTION SHALL BE PROVIDED BY THE INSTALLER; MUST BE SIZED ACCORDING TO PUMP/MOTOR MANUFACTURING SPECIFICATIONS.
 VERIFY CORRECT OPERATION OF CONTROL PANEL AFTER INSTALLATION IS COMPLETE.

DRAWN BY: KJ	DATE: 6/22/14				
APPROVED BY:	DATE:				
THIS DRAWING CONTAINS PROPRIETARY INFORMATION AND SHALL NOT BE USED OR DISCLOSED WITHOUT PRIOR WRITTEN AUTHORIZATION.		TITLE: SIM3-X CONTROL SCHEMATIC			
		SIZE B	DWG NO. 1510	PART NO. SIM3-X	REV A
		SCALE NONE		SHEET 1 OF 1	