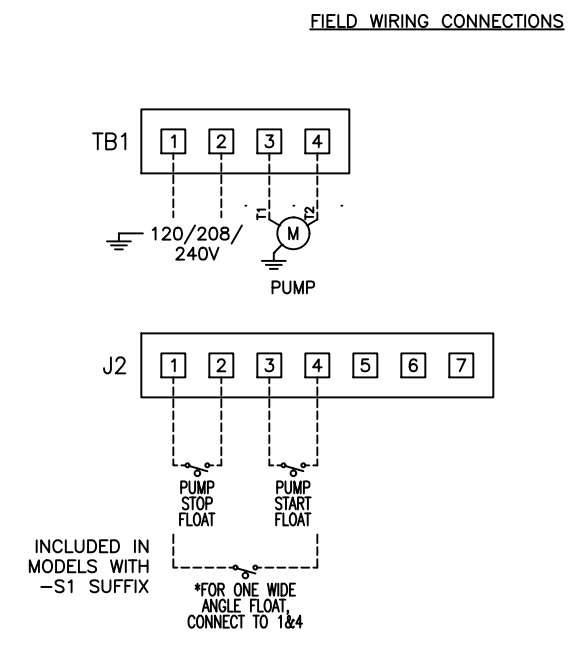
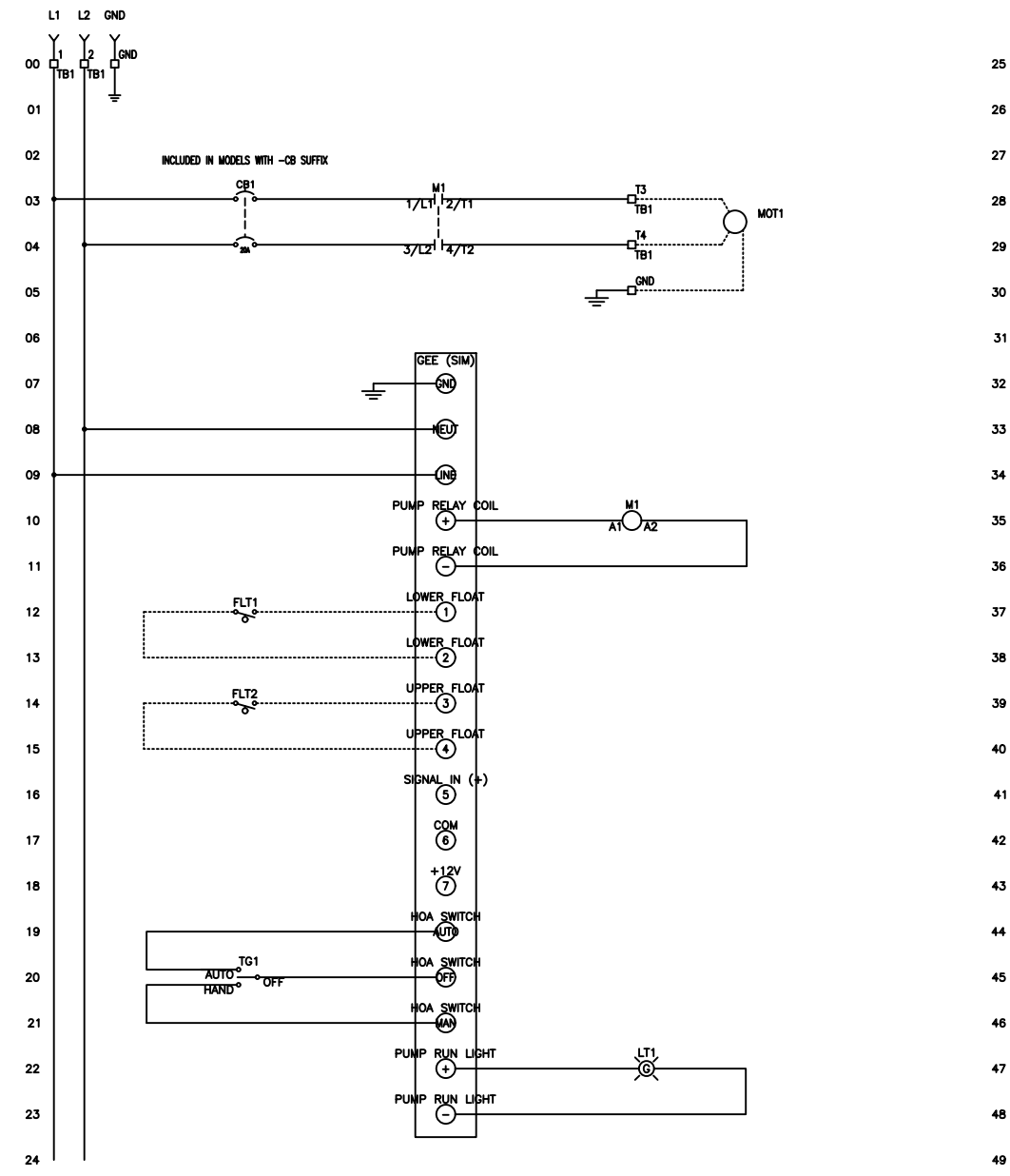


REVDATE: 0917 FNAME: SIM1-X

REVISIONS				
ZONE	REV	DESCRIPTION	DATE	APPROVED
	A	TERMINAL STRIP ADJUSTMENT	9/28/17	



----- DASHED LINE INDICATES FIELD WIRING.

USE COPPER CONDUCTORS ONLY.

TEMPERATURE RATING OF CONDUCTORS IS TO BE 60°C (167°F).

BRANCH CIRCUIT PROTECTION SHALL BE PROVIDED BY THE INSTALLER; MUST BE SIZED ACCORDING TO PUMP/MOTOR MANUFACTURING SPECIFICATIONS.

VERIFY CORRECT OPERATION OF CONTROL PANEL AFTER INSTALLATION IS COMPLETE.

DRAWN BY:	DATE:				
MM	6/20/14				
APPROVED BY:	DATE:	TITLE: SIM1-X CONTROL SCHEMATIC			
THIS DRAWING CONTAINS PROPRIETARY INFORMATION AND SHALL NOT BE USED OR DISCLOSED WITHOUT PRIOR WRITTEN AUTHORIZATION.		SIZE	DWG NO.	PART NO.	REV
		B	1509	SIM1-X	A
SCALE NONE		SHEET		1 OF 1	