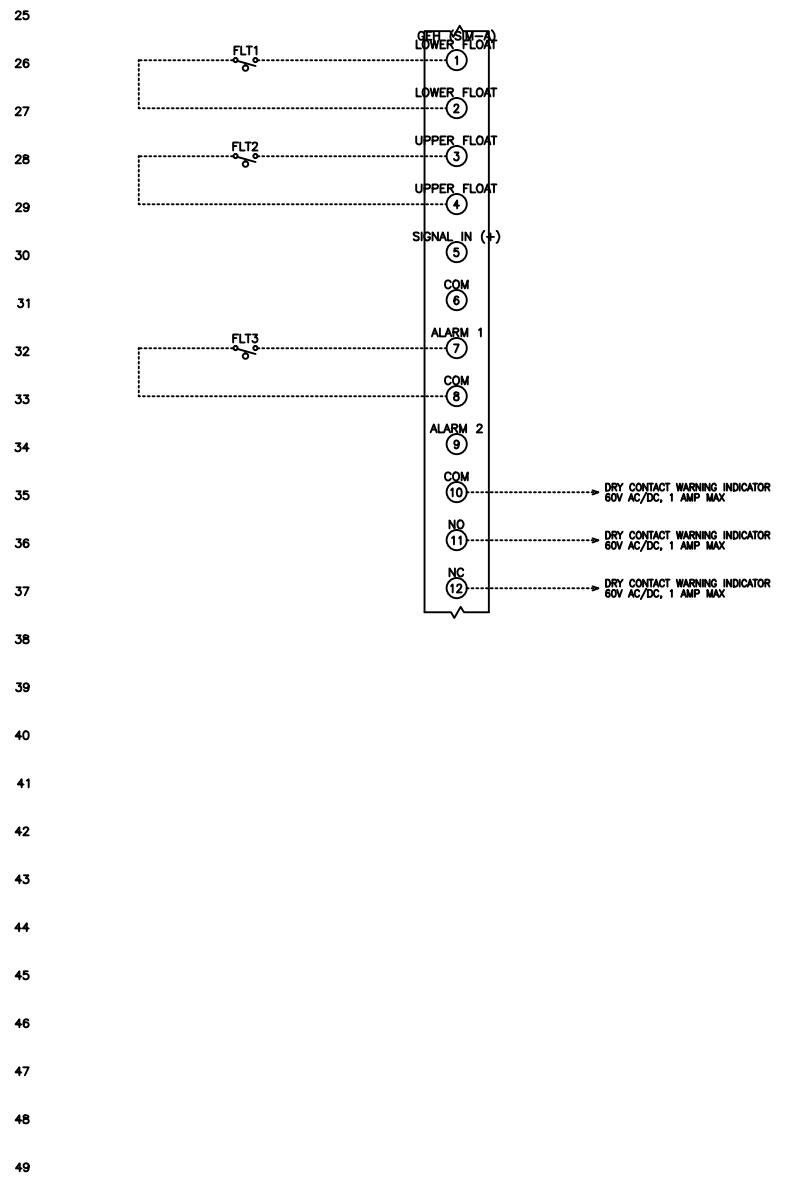
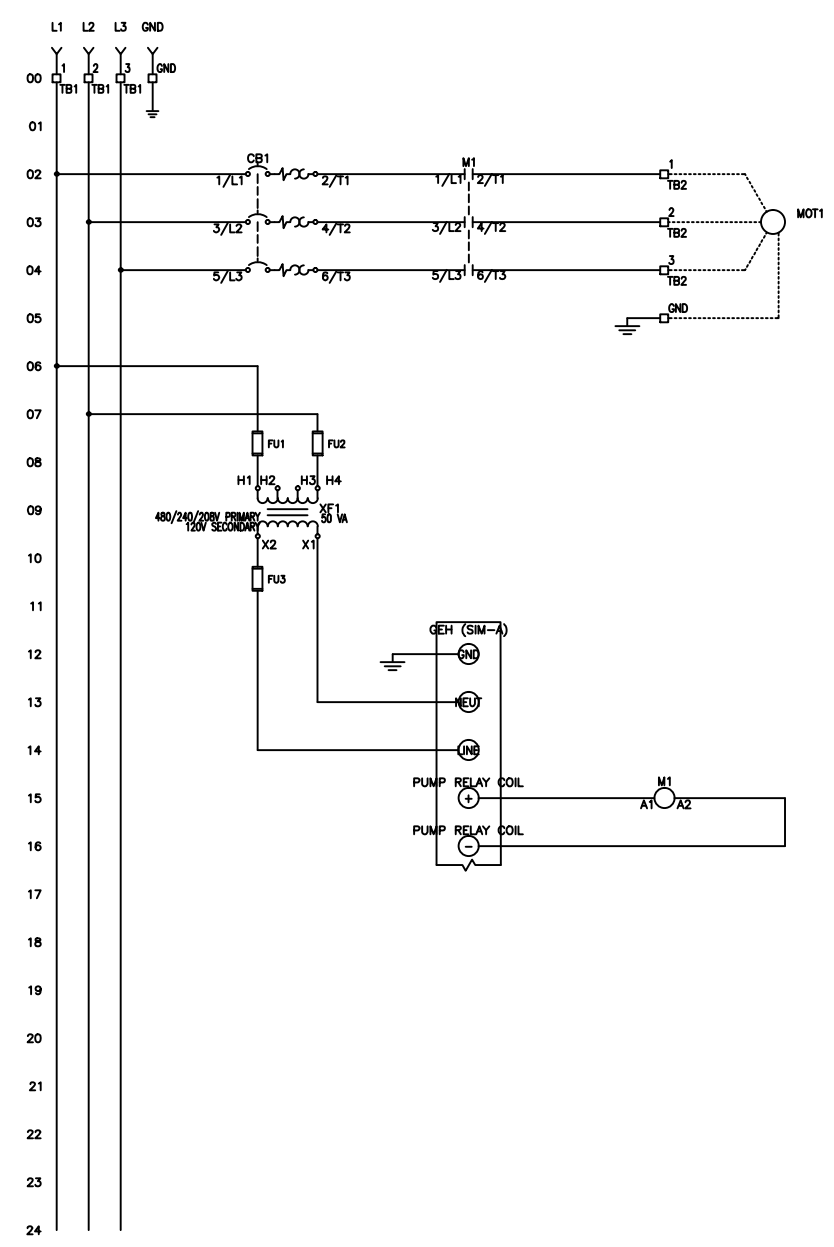


FNAME: SIM-A3-X  
REVDATE: 0614

REVISIONS				
ZONE	REV	DESCRIPTION	DATE	APPROVED
	A	UPDATED INSTRUCTIONS	5/25/17	



**MULTITAP TRANSFORMER INSTRUCTIONS:**  
 PANEL IS WIRED FOR 480V OPERATION.  
 CONNECT FACTORY TAGGED WIRES TO APPROPRIATE TRANSFORMER VOLTAGE TAP. SEE BELOW FOR CONNECTIONS:  
 FOR 208V OPERATION, CONNECT TO FUSE INPUT HF & TO TRANSFORMER TAP H2  
 FOR 240V OPERATION, CONNECT TO FUSE INPUT HF & TO TRANSFORMER TAP H3

----- DASHED LINE INDICATES FIELD WIRING.

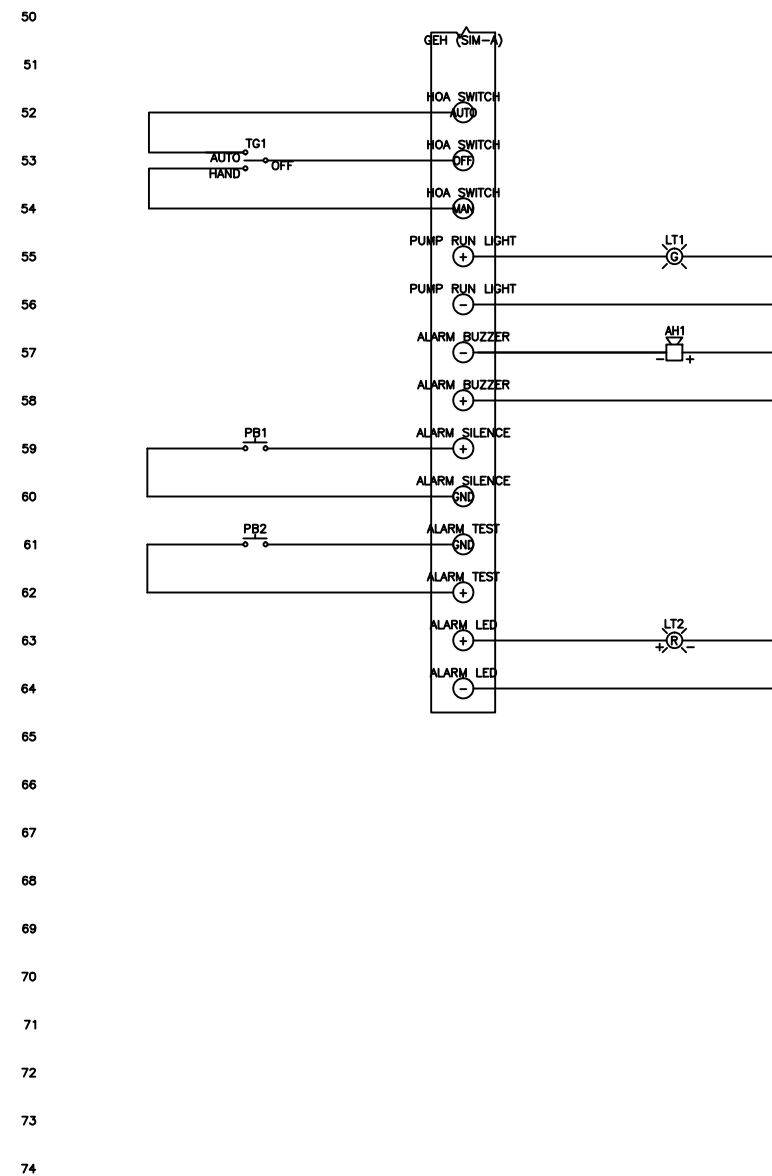
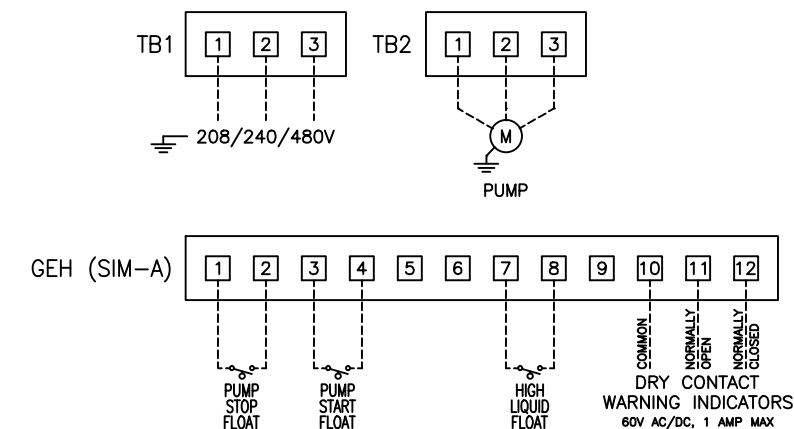
USE COPPER CONDUCTORS ONLY.  
 TEMPERATURE RATING OF CONDUCTORS IS TO BE 60°C (167°F).  
 BRANCH CIRCUIT PROTECTION SHALL BE PROVIDED BY THE INSTALLER; MUST BE SIZED ACCORDING TO PUMP/MOTOR MANUFACTURING SPECIFICATIONS.  
 VERIFY CORRECT OPERATION OF CONTROL PANEL AFTER INSTALLATION IS COMPLETE.

DRAWN BY: KJ	DATE: 6/8/14	<b>SEEWATER</b> <i>Inc.</i>			
APPROVED BY:	DATE:				
THIS DRAWING CONTAINS PROPRIETARY INFORMATION AND SHALL NOT BE USED OR DISCLOSED WITHOUT PRIOR WRITTEN AUTHORIZATION.		TITLE: SIM-A3-X CONTROL SCHEMATIC			
		SIZE B	DWG NO. 1508	PART NO. SIM-A3-X	REV A
		SCALE NONE		SHEET 1 OF 2	

FNAME: SIM-A3-X  
REVDATE: 0614

REVISIONS				
ZONE	REV	DESCRIPTION	DATE	APPROVED
	A	UPDATED INSTRUCTIONS	5/25/17	

FIELD WIRING CONNECTIONS



MULTITAP TRANSFORMER INSTRUCTIONS:  
 PANEL IS WIRED FOR 480V OPERATION.  
 CONNECT FACTORY TAGGED WIRES TO APPROPRIATE TRANSFORMER VOLTAGE TAP. SEE BELOW FOR CONNECTIONS:  
 FOR 208V OPERATION, CONNECT TO FUSE INPUT HF & TO TRANSFORMER TAP H2  
 FOR 240V OPERATION, CONNECT TO FUSE INPUT HF & TO TRANSFORMER TAP H3

----- DASHED LINE INDICATES FIELD WIRING.

USE COPPER CONDUCTORS ONLY.  
 TEMPERATURE RATING OF CONDUCTORS IS TO BE 60°C (167°F).  
 BRANCH CIRCUIT PROTECTION SHALL BE PROVIDED BY THE INSTALLER: MUST BE SIZED ACCORDING TO PUMP/MOTOR MANUFACTURING SPECIFICATIONS.  
 VERIFY CORRECT OPERATION OF CONTROL PANEL AFTER INSTALLATION IS COMPLETE.

DRAWN BY: KJ	DATE: 6/8/14				
APPROVED BY:	DATE:				
THIS DRAWING CONTAINS PROPRIETARY INFORMATION AND SHALL NOT BE USED OR DISCLOSED WITHOUT PRIOR WRITTEN AUTHORIZATION.		TITLE: SIM-A3-X CONTROL SCHEMATIC			
		SIZE B	DWG NO. 1508	PART NO. SIM-A3-X	REV A
		SCALE NONE	SHEET 2 OF 2		