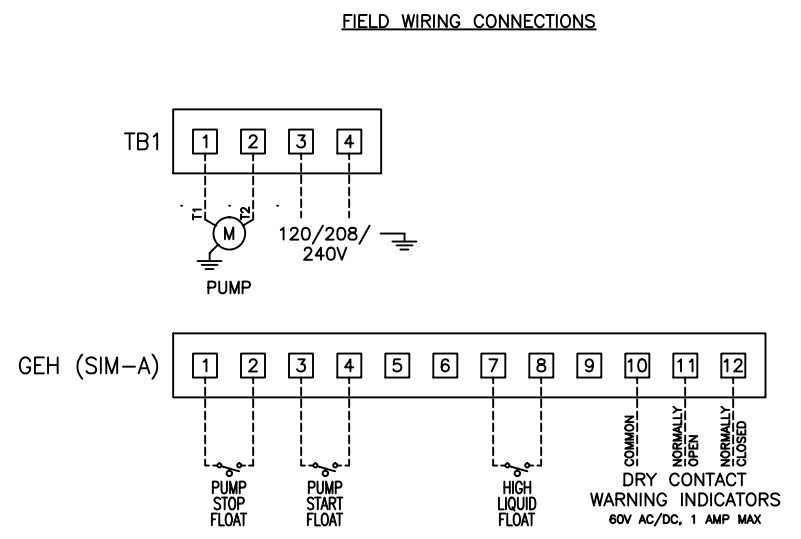
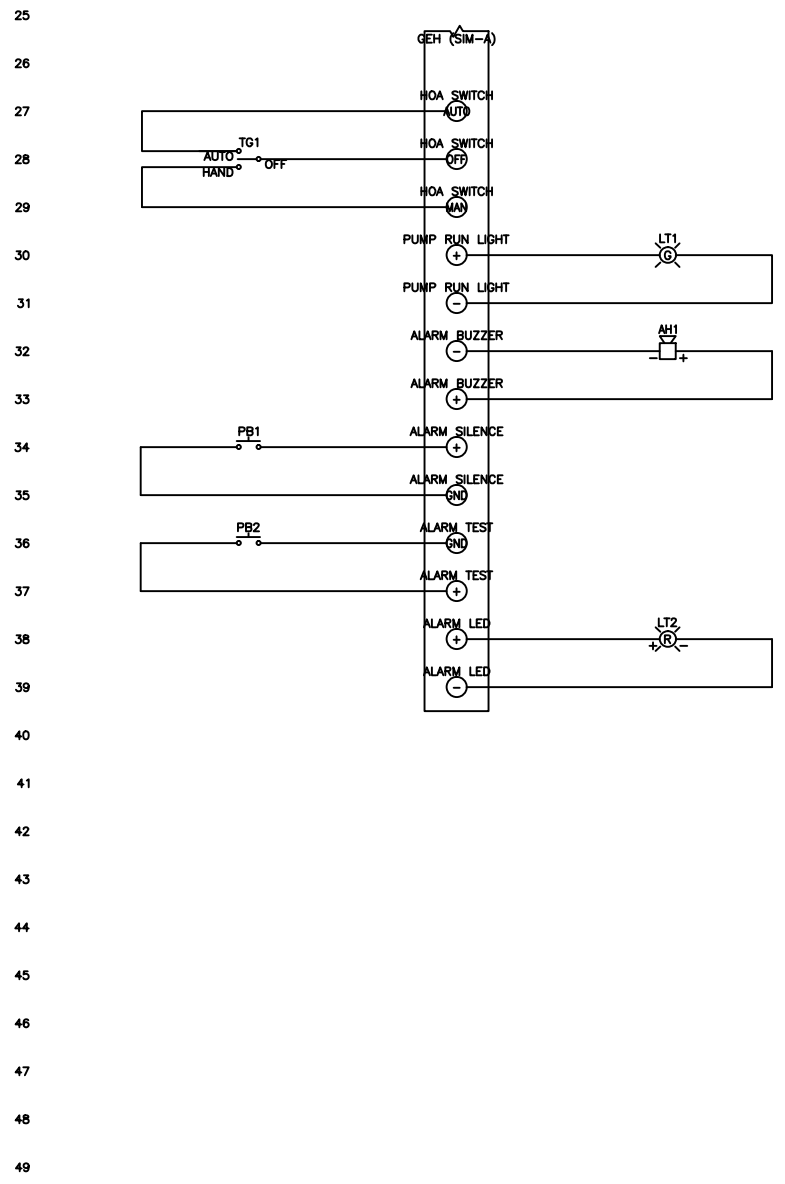
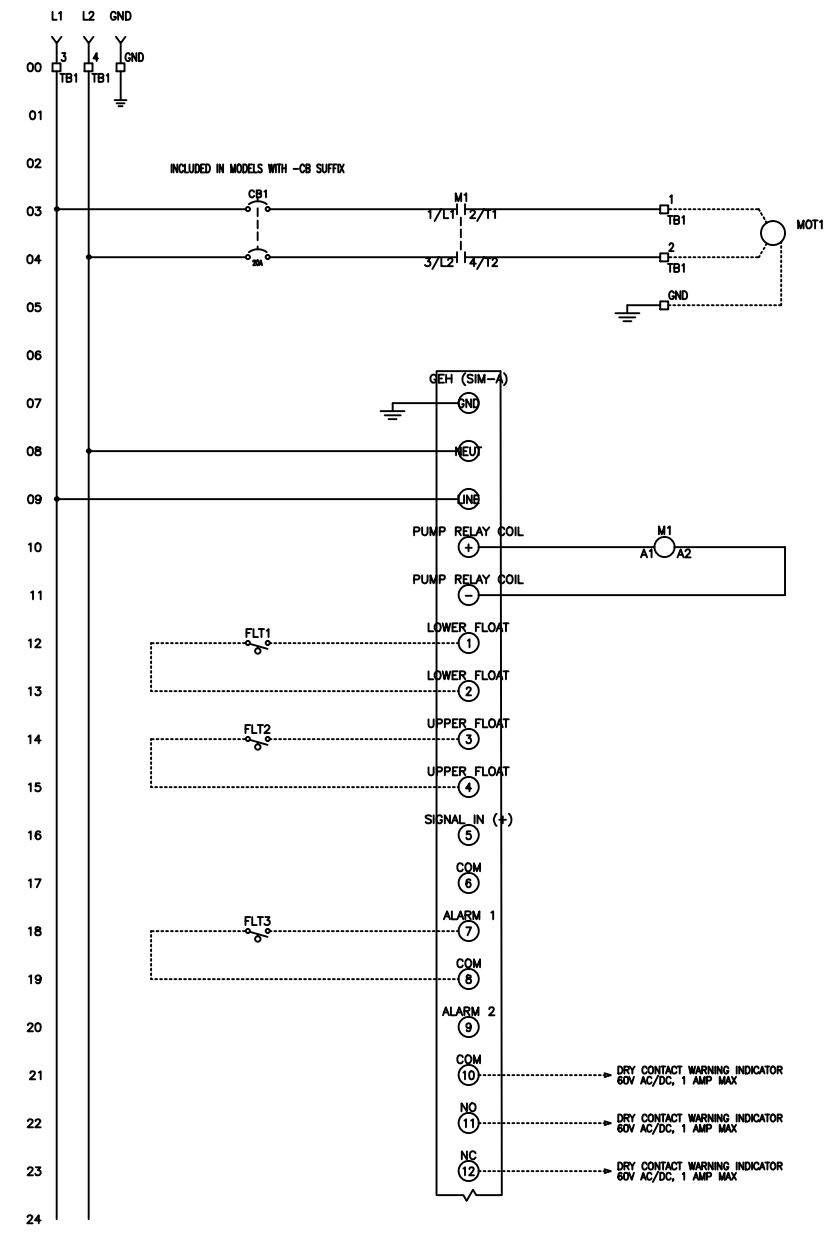


REVDATE: 0817
 FNAME: SIM-A1-X

REVISIONS				
ZONE	REV	DESCRIPTION	DATE	APPROVED
	A	UPDATED TERMINAL CONNECTIONS	8/29/17	




----- DASHED LINE INDICATES FIELD WIRING.

USE COPPER CONDUCTORS ONLY.

TEMPERATURE RATING OF CONDUCTORS IS TO BE 60°C (167°F).

BRANCH CIRCUIT PROTECTION SHALL BE PROVIDED BY THE INSTALLER; MUST BE SIZED ACCORDING TO PUMP/MOTOR MANUFACTURING SPECIFICATIONS.

VERIFY CORRECT OPERATION OF CONTROL PANEL AFTER INSTALLATION IS COMPLETE.

DRAWN BY: MM	DATE: 6/7/14				
APPROVED BY:	DATE:				
THIS DRAWING CONTAINS PROPRIETARY INFORMATION AND SHALL NOT BE USED OR DISCLOSED WITHOUT PRIOR WRITTEN AUTHORIZATION.		TITLE: SIM-A1-X CONTROL SCHEMATIC			
		SIZE B	DWG NO. 1507	PART NO. SIM-A1-X	REV A
		SCALE NONE	SHEET 1 OF 1		