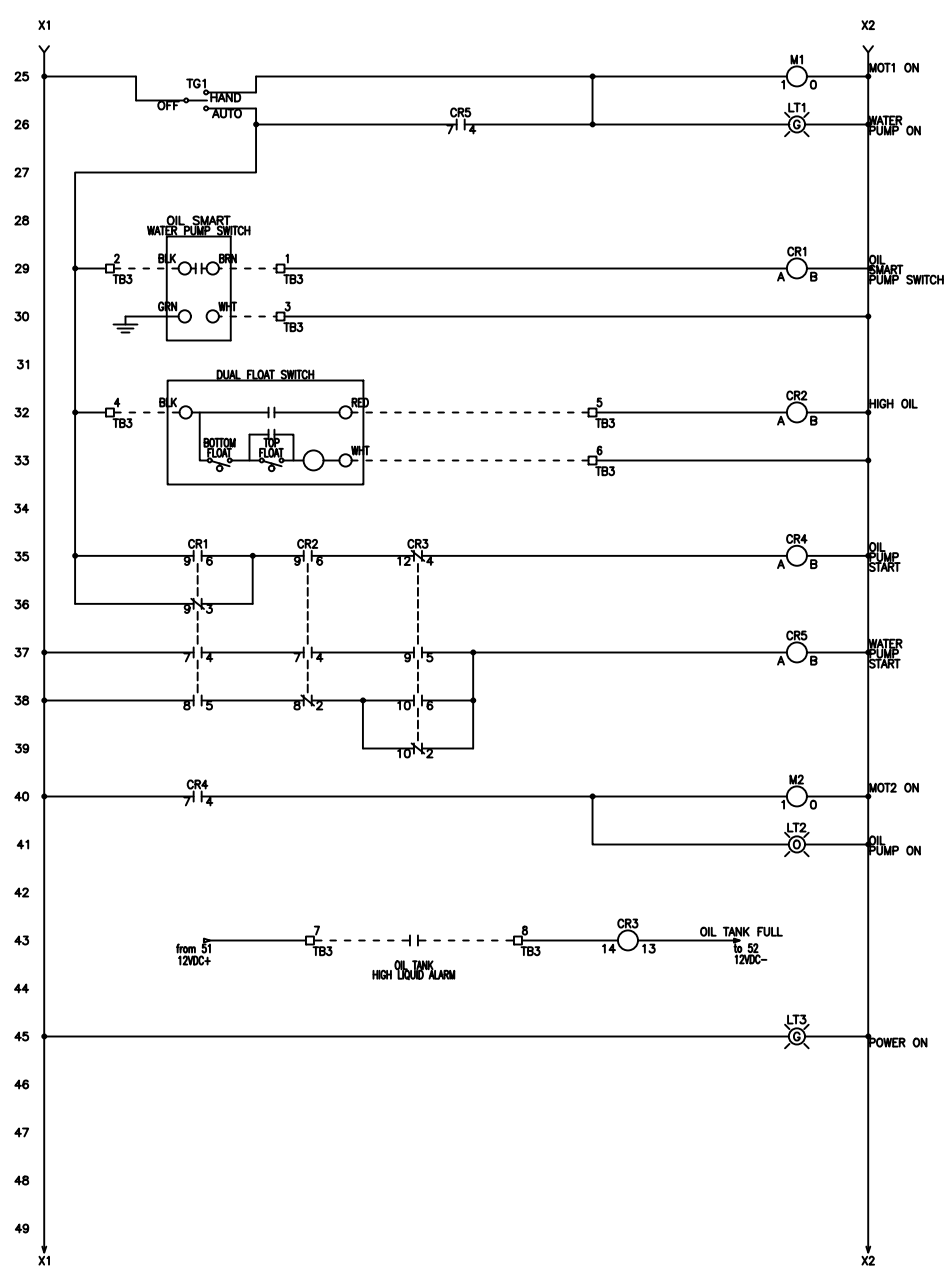
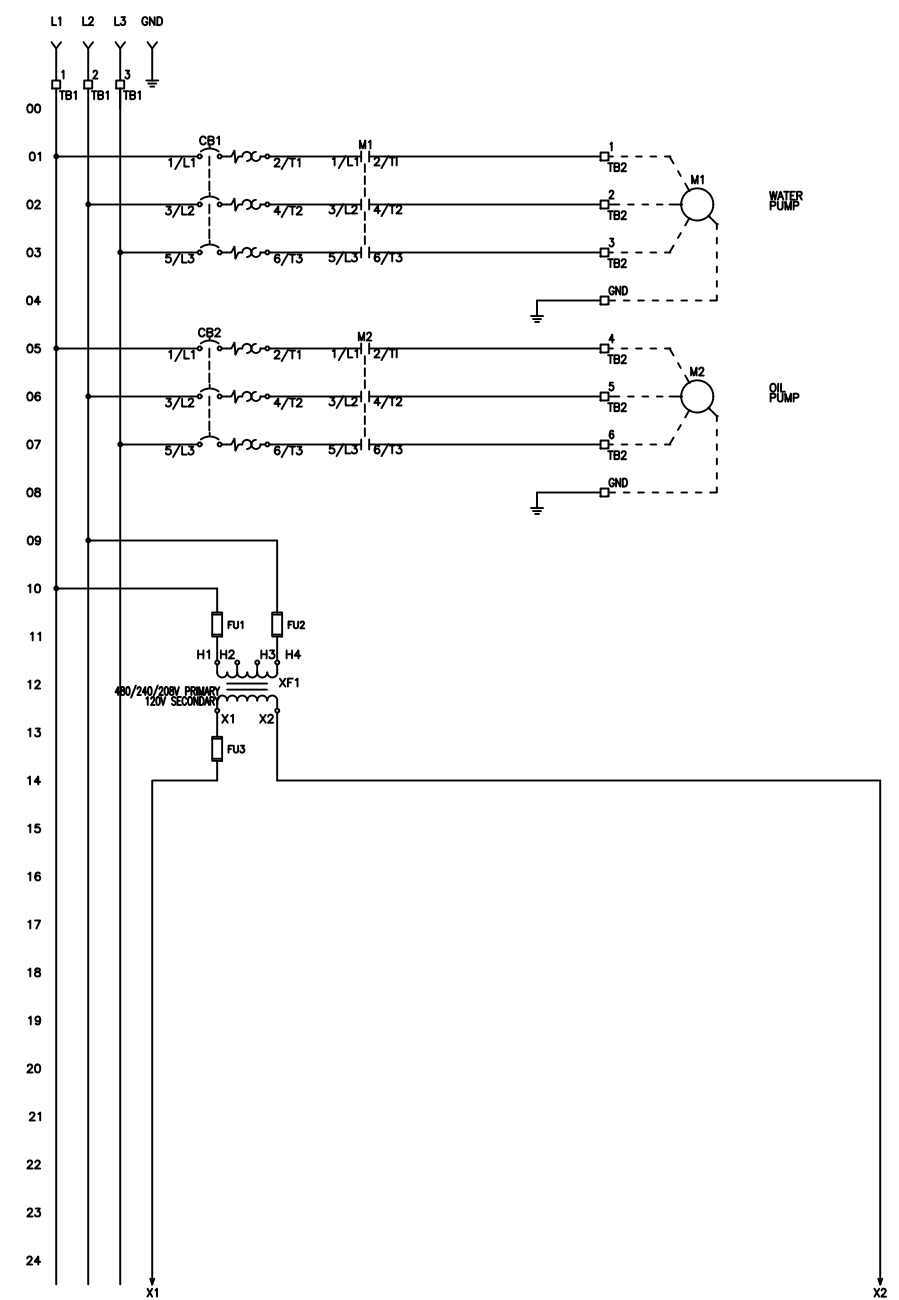


FRAME: OSSIM-TP-300X-OR-2

REVDATE: 1117

REVISIONS				
ZONE	REV	DESCRIPTION	DATE	APPROVED
	A	DUAL FLOAT SWITCH UPDATE	7/17/16	MJ
	B	RELOCATION OF POWER ON LIGHT WIRING	12/15/16	MJ
	C	OIL SMART SWITCH UPDATE	11/06/17	MJ



MULTI-TAP TRANSFORMER
CONNECT FACTORY TAGGED WIRES TO L1 & L2 ON TERMINAL BLOCK AND CONNECT TO APPROPRIATE TRANSFORMER PRIMARY VOLTAGE TAP. SEE BELOW FOR CONNECTIONS:

FOR 208V OPERATION, CONNECT L1 & L2 TO TRANSFORMER TAPS H1 & H2.

FOR 240V OPERATION, CONNECT L1 & L2 TO TRANSFORMER TAPS H1 & H3.

FOR 480V OPERATION, CONNECT L1 & L2 TO TRANSFORMER TAPS H1 & H4.

----- DASHED LINE INDICATES FIELD WIRING.

USE COPPER CONDUCTORS ONLY.

TEMPERATURE RATING OF CONDUCTORS IS TO BE 60°C (167°F).

BRANCH CIRCUIT PROTECTION SHALL BE PROVIDED BY THE INSTALLER; MUST BE SIZED ACCORDING TO PUMP/MOTOR MANUFACTURING SPECIFICATIONS.

VERIFY CORRECT OPERATION OF CONTROL PANEL AFTER INSTALLATION IS COMPLETE.

DRAWN BY: MM DATE: 12/19/15

APPROVED BY: DATE:

THIS DRAWING CONTAINS PROPRIETARY INFORMATION AND SHALL NOT BE USED OR DISCLOSED WITHOUT PRIOR WRITTEN AUTHORIZATION.

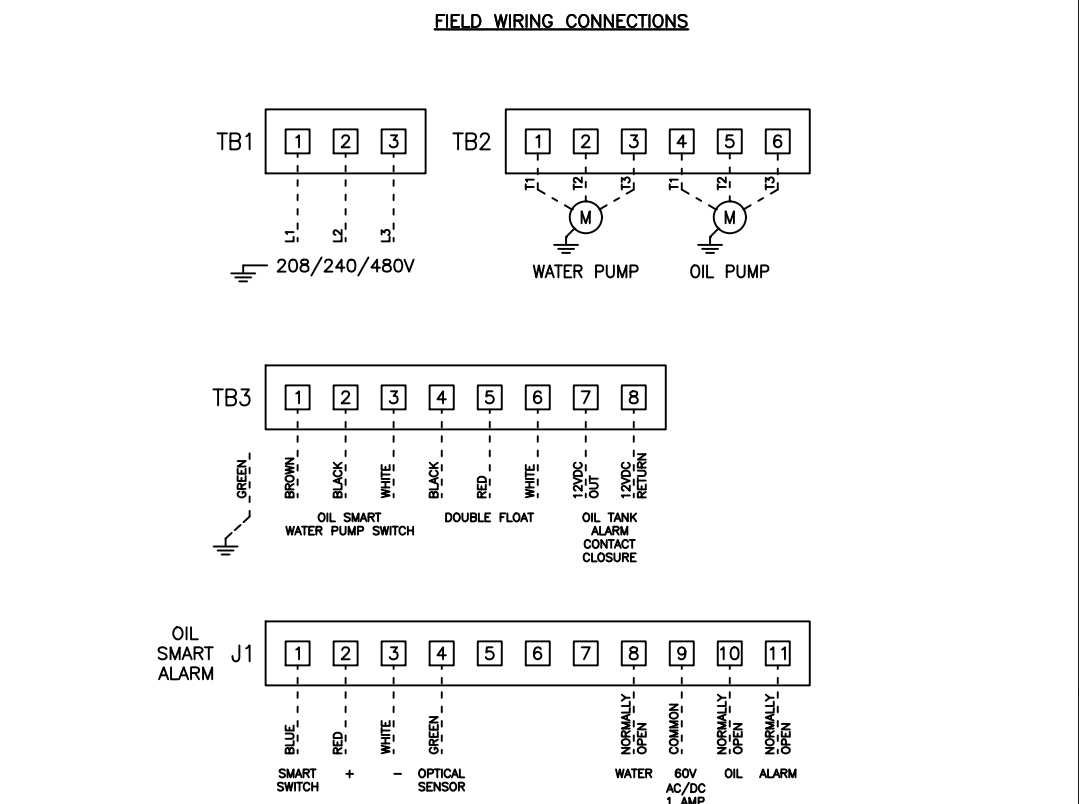
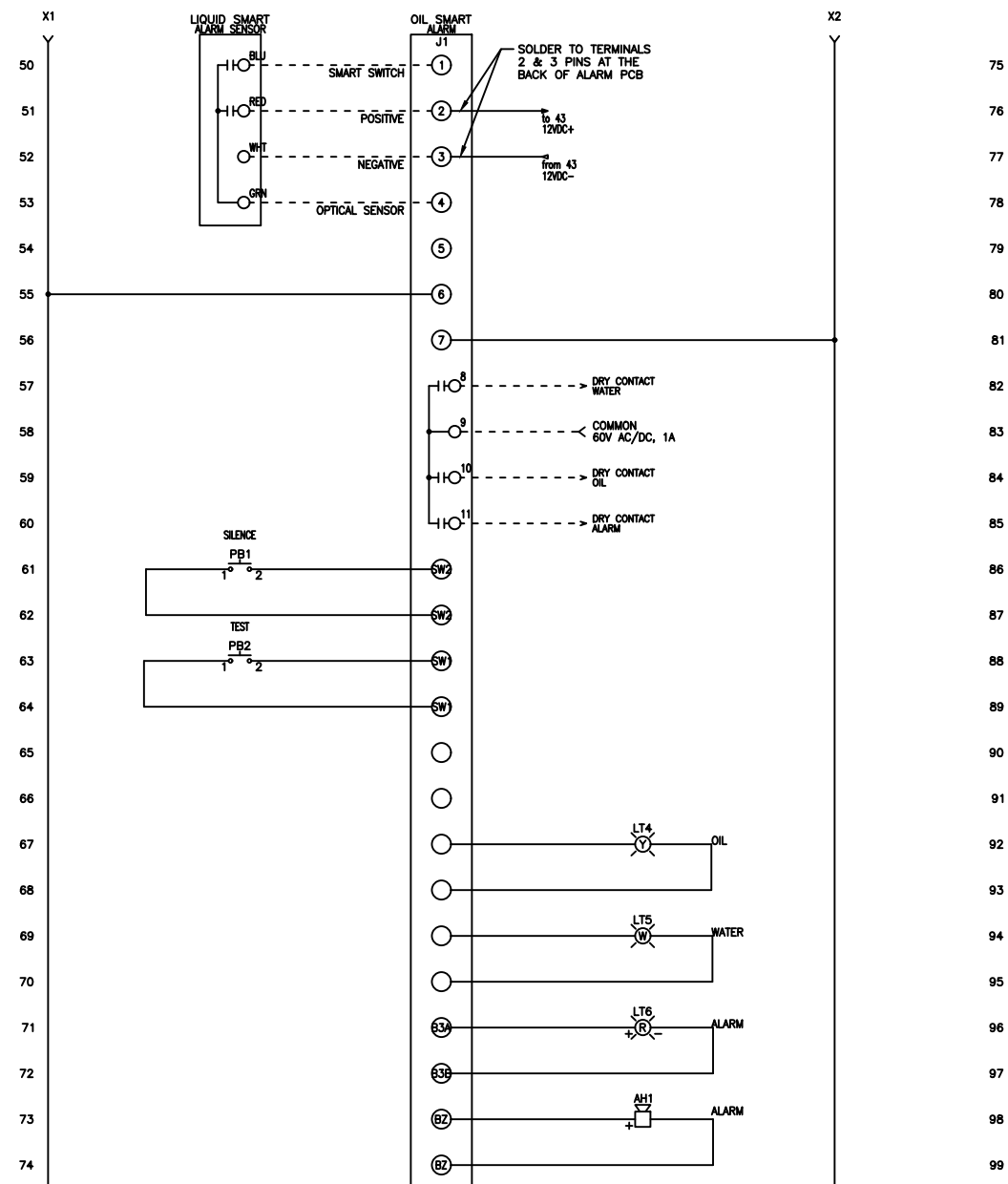


TITLE: OSSIM-TP-300X-OR-2 CONTROL SCHEMATIC			
SIZE B	DWG NO. 1575	PART NO. OSSIM-TP-300X-OR-2	REV C
SCALE NONE	SHEET 1 OF 2		

FRAME: OSSIM-TP-300X-OR-2

REVDATE: 1117

REVISIONS				
ZONE	REV	DESCRIPTION	DATE	APPROVED
	A	DUAL FLOAT SWITCH UPDATE	7/17/16	MJ
	B	RELOCATION OF POWER ON LIGHT WIRING	12/15/16	MJ
	C	OIL SMART SWITCH UPDATE	11/06/17	MJ



MULTI-TAP TRANSFORMER
CONNECT FACTORY TAGGED WIRES TO L1 & L2 ON TERMINAL BLOCK AND CONNECT TO APPROPRIATE TRANSFORMER PRIMARY VOLTAGE TAP. SEE BELOW FOR CONNECTIONS:

FOR 208V OPERATION, CONNECT L1 & L2 TO TRANSFORMER TAPS H1 & H2.

FOR 240V OPERATION, CONNECT L1 & L2 TO TRANSFORMER TAPS H1 & H3.

FOR 480V OPERATION, CONNECT L1 & L2 TO TRANSFORMER TAPS H1 & H4.

----- DASHED LINE INDICATES FIELD WIRING.

USE COPPER CONDUCTORS ONLY.

TEMPERATURE RATING OF CONDUCTORS IS TO BE 60°C (167°F).

BRANCH CIRCUIT PROTECTION SHALL BE PROVIDED BY THE INSTALLER. MUST BE SIZED ACCORDING TO PUMP/MOTOR MANUFACTURING SPECIFICATIONS.

VERIFY CORRECT OPERATION OF CONTROL PANEL AFTER INSTALLATION IS COMPLETE.

DRAWN BY: MM	DATE: 12/19/15	SEEWATER <i>Inc.</i>			
APPROVED BY:	DATE:				
THIS DRAWING CONTAINS PROPRIETARY INFORMATION AND SHALL NOT BE USED OR DISCLOSED WITHOUT PRIOR WRITTEN AUTHORIZATION.		TITLE: OSSIM-TP-300X-OR-2 CONTROL SCHEMATIC			
		SIZE B	DWG NO. 1575	PART NO. OSSIM-TP-300X-OR-2	REV C
		SCALE NONE	SHEET 2 OF 2		