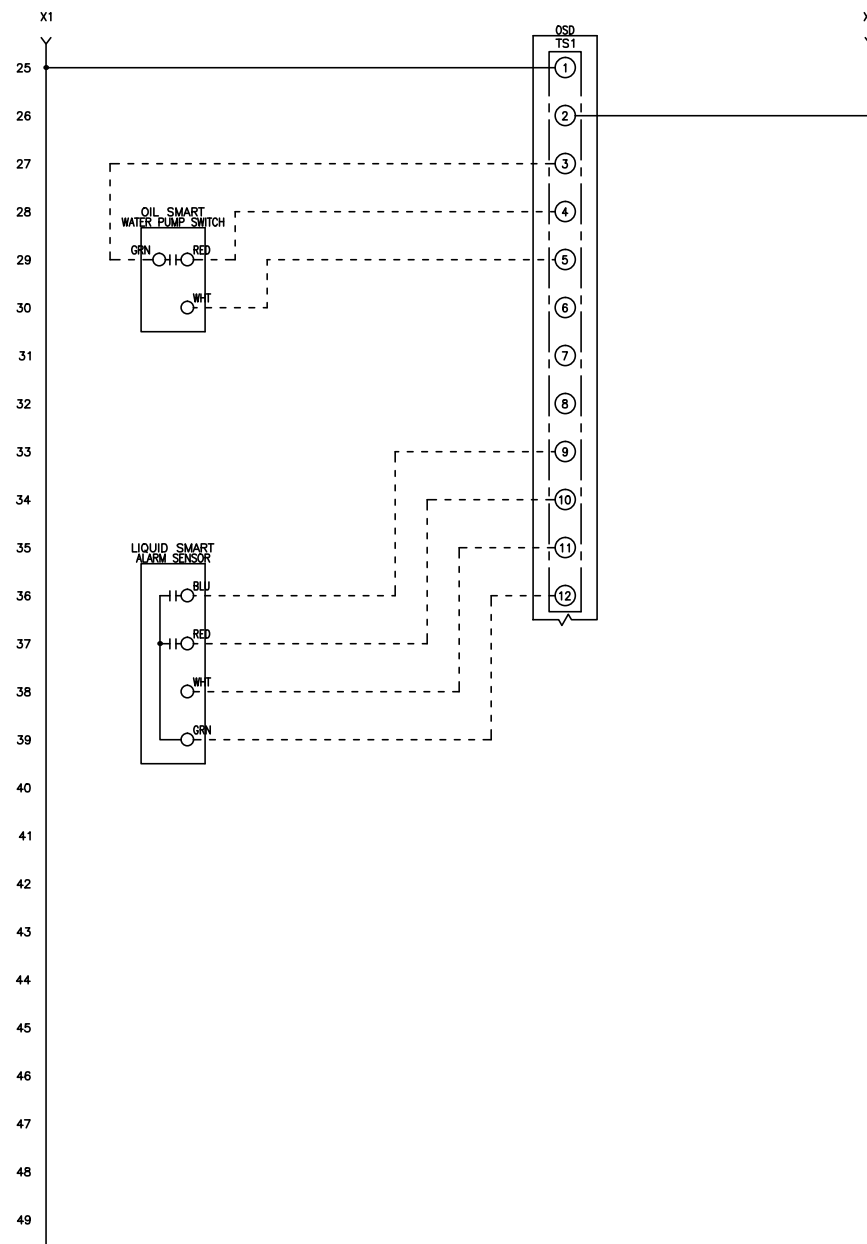
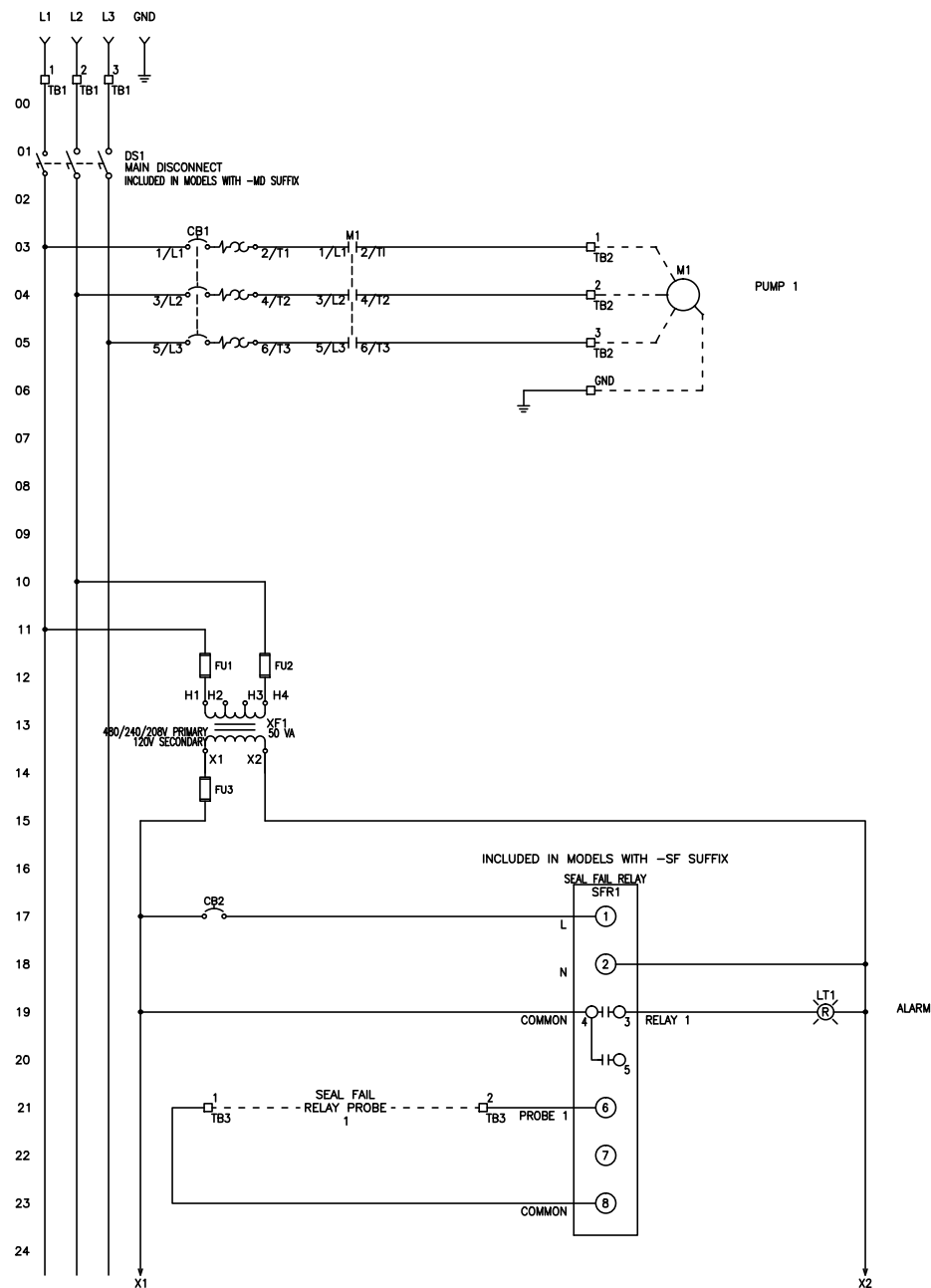


FNAME: OSSIM-TP-300X

REVDATE: 0817



REVISIONS				
ZONE	REV	DESCRIPTION	DATE	APPROVED
	A	ADDITION OF OSD BOARD AND OPTIONAL SEAL FAIL RELAY	7/29/15	
	B	RELOCATION OF TERMINAL BLOCKS	12/29/16	
	C	UPDATED INSTRUCTIONS	5/23/17	
	D	ADDITION OF SEAL FAIL RELAY CIRCUIT BREAKER	8/28/17	

MULTI-TAP TRANSFORMER:

CONNECT FACTORY TAGGED WIRES TO APPROPRIATE TRANSFORMER VOLTAGE TAP. SEE BELOW FOR CONNECTIONS:

FOR 208V OPERATION, CONNECT TO FUSE INPUT HF & TO TRANSFORMER TAP H2.

FOR 240V OPERATION, CONNECT TO FUSE INPUT HF & TO TRANSFORMER TAP H3.

FOR 480V OPERATION, CONNECT TO FUSE INPUT HF & TO TRANSFORMER TAP H4.

----- DASHED LINE INDICATES FIELD WIRING.

USE COPPER CONDUCTORS ONLY.

TEMPERATURE RATING OF CONDUCTORS IS TO BE 60°C (167°F).

BRANCH CIRCUIT PROTECTION SHALL BE PROVIDED BY THE INSTALLER; MUST BE SIZED ACCORDING TO PUMP/MOTOR MANUFACTURING SPECIFICATIONS.

VERIFY CORRECT OPERATION OF CONTROL PANEL AFTER INSTALLATION IS COMPLETE.

DRAWN BY: MM	DATE: 7/20/14
APPROVED BY:	DATE:

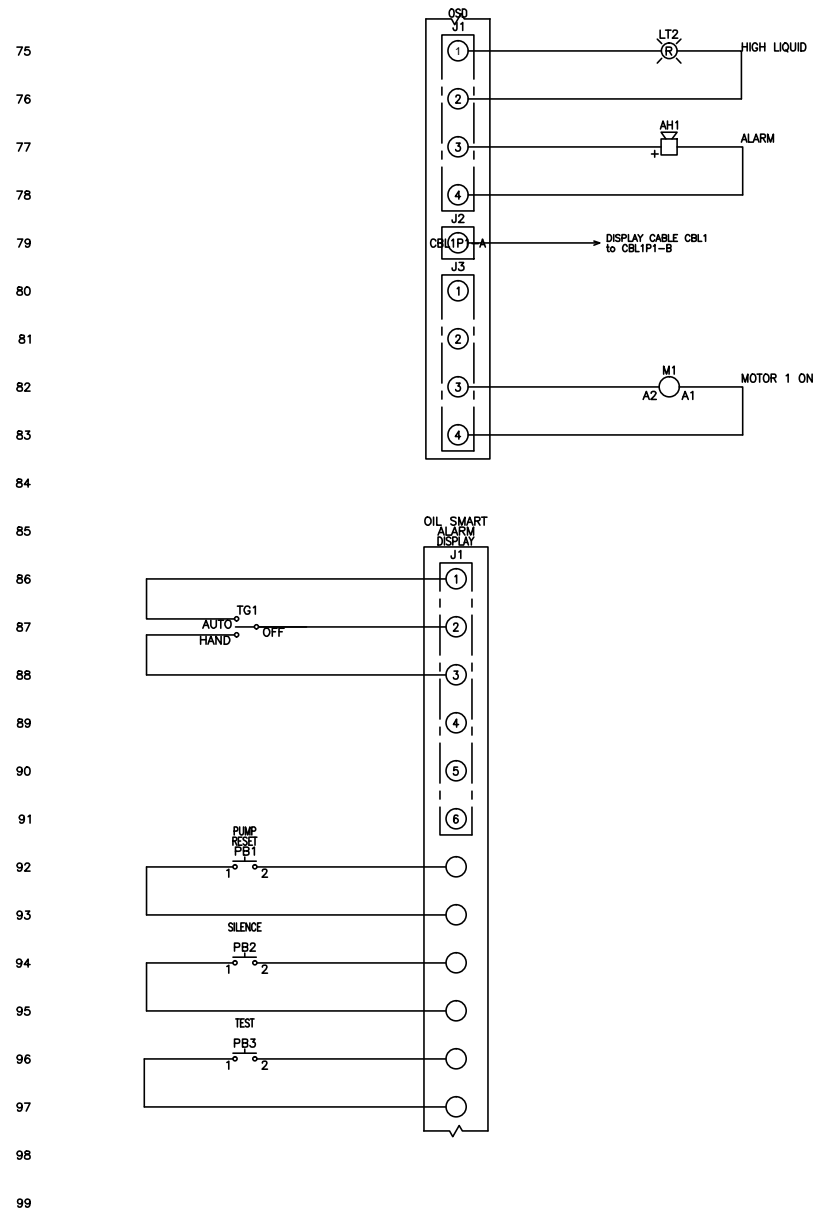
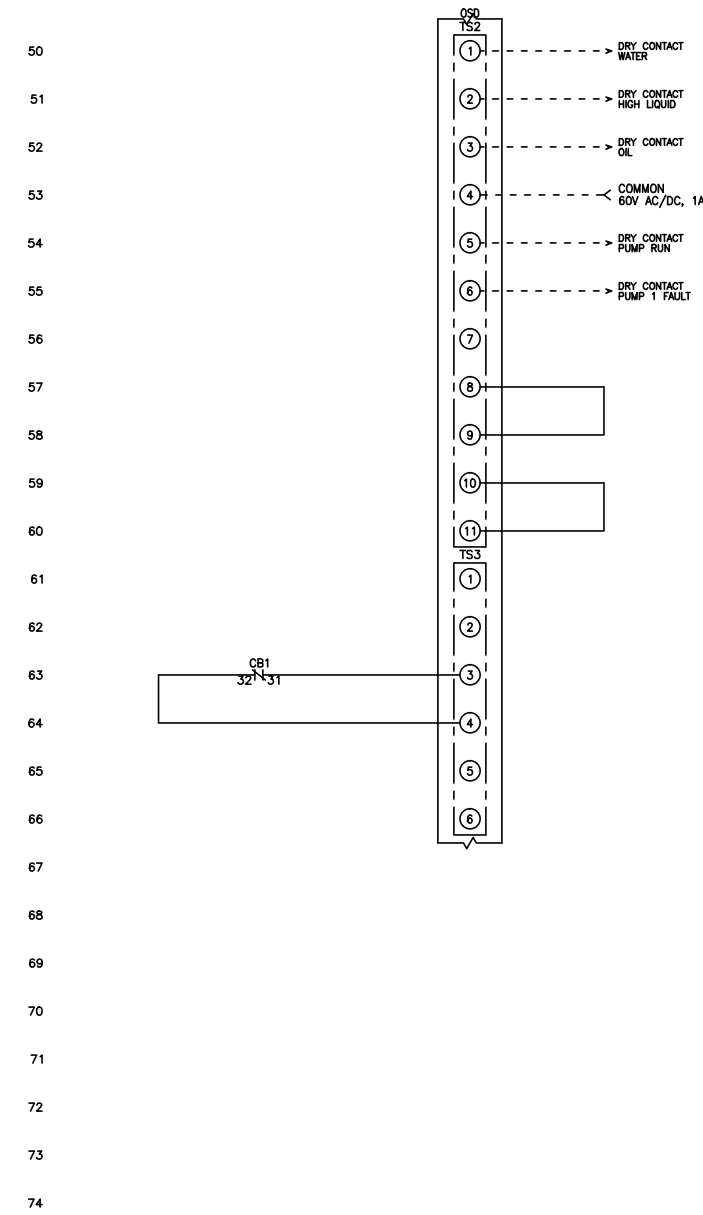


TITLE: OSSIM-TP-300X CONTROL SCHEMATIC			
SIZE B	DWG NO. 1513	PART NO. OSSIM-TP-300X	REV D
SCALE NONE	SHEET 1 OF 3		

THIS DRAWING CONTAINS PROPRIETARY INFORMATION AND SHALL NOT BE USED OR DISCLOSED WITHOUT PRIOR WRITTEN AUTHORIZATION.

FNAME: OSSIM-TP-300X

REVDATE: 0817



REVISIONS				
ZONE	REV	DESCRIPTION	DATE	APPROVED
	A	ADDITION OF OSD BOARD AND OPTIONAL SEAL FAIL RELAY	7/29/15	
	B	RELOCATION OF TERMINAL BLOCKS	12/29/16	
	C	UPDATED INSTRUCTIONS	5/23/17	
	D	ADDITION OF SEAL FAIL RELAY CIRCUIT BREAKER	8/28/17	

MULTI-TAP TRANSFORMER:
 CONNECT FACTORY TAGGED WIRES TO APPROPRIATE TRANSFORMER VOLTAGE TAP. SEE BELOW FOR CONNECTIONS:
 FOR 208V OPERATION, CONNECT TO FUSE INPUT HF & TO TRANSFORMER TAP H2.
 FOR 240V OPERATION, CONNECT TO FUSE INPUT HF & TO TRANSFORMER TAP H3.
 FOR 480V OPERATION, CONNECT TO FUSE INPUT HF & TO TRANSFORMER TAP H4.

----- DASHED LINE INDICATES FIELD WIRING.

USE COPPER CONDUCTORS ONLY.
 TEMPERATURE RATING OF CONDUCTORS IS TO BE 60°C (167°F).
 BRANCH CIRCUIT PROTECTION SHALL BE PROVIDED BY THE INSTALLER; MUST BE SIZED ACCORDING TO PUMP/MOTOR MANUFACTURING SPECIFICATIONS.
 VERIFY CORRECT OPERATION OF CONTROL PANEL AFTER INSTALLATION IS COMPLETE.

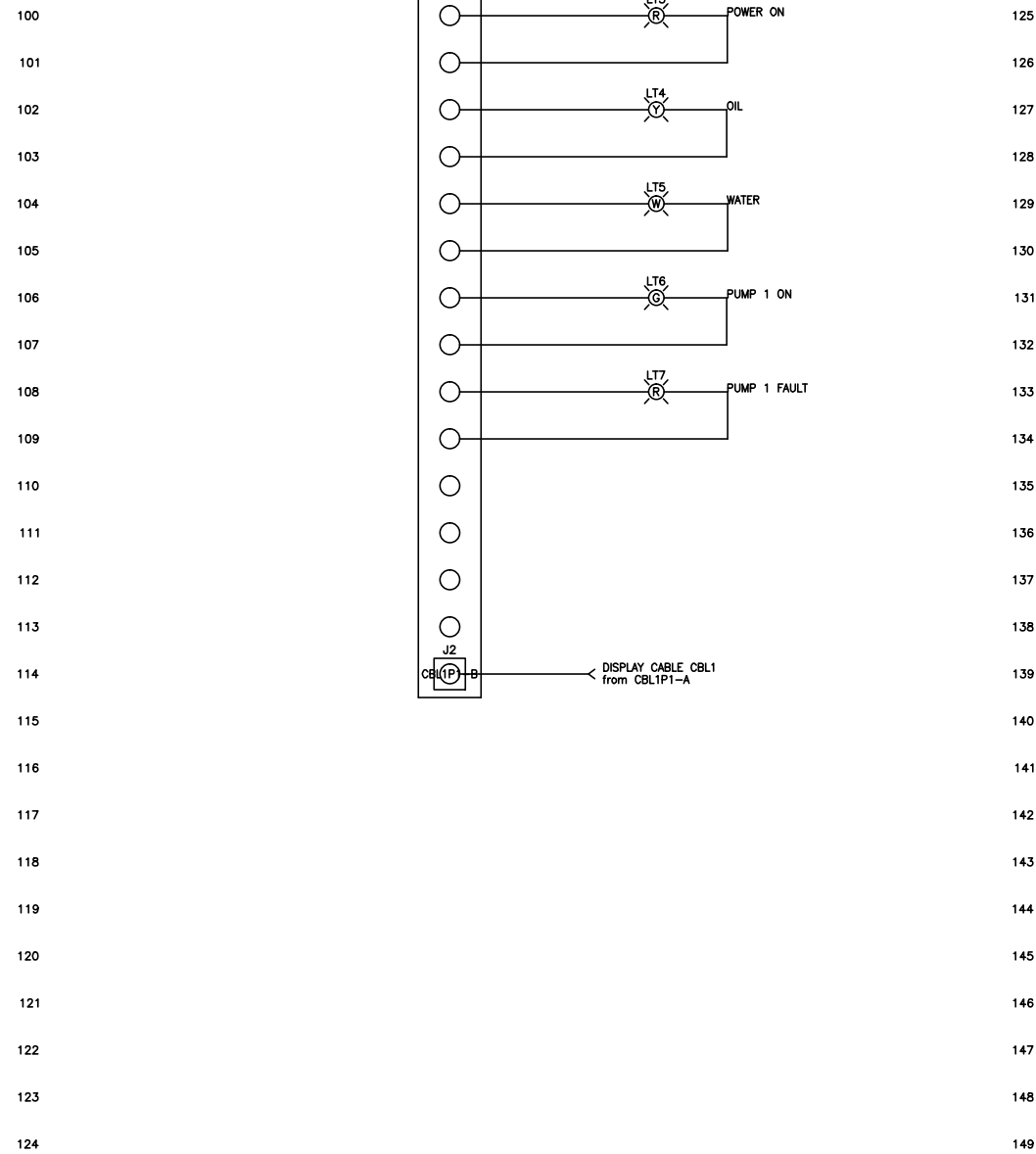
DRAWN BY: MM DATE: 7/20/14
 APPROVED BY: DATE:
 THIS DRAWING CONTAINS PROPRIETARY INFORMATION AND SHALL NOT BE USED OR DISCLOSED WITHOUT PRIOR WRITTEN AUTHORIZATION.



TITLE: OSSIM-TP-300X CONTROL SCHEMATIC				
SIZE B	DWG NO. 1513	PART NO. OSSIM-TP-300X	REV D	
SCALE NONE		SHEET 2 OF 3		

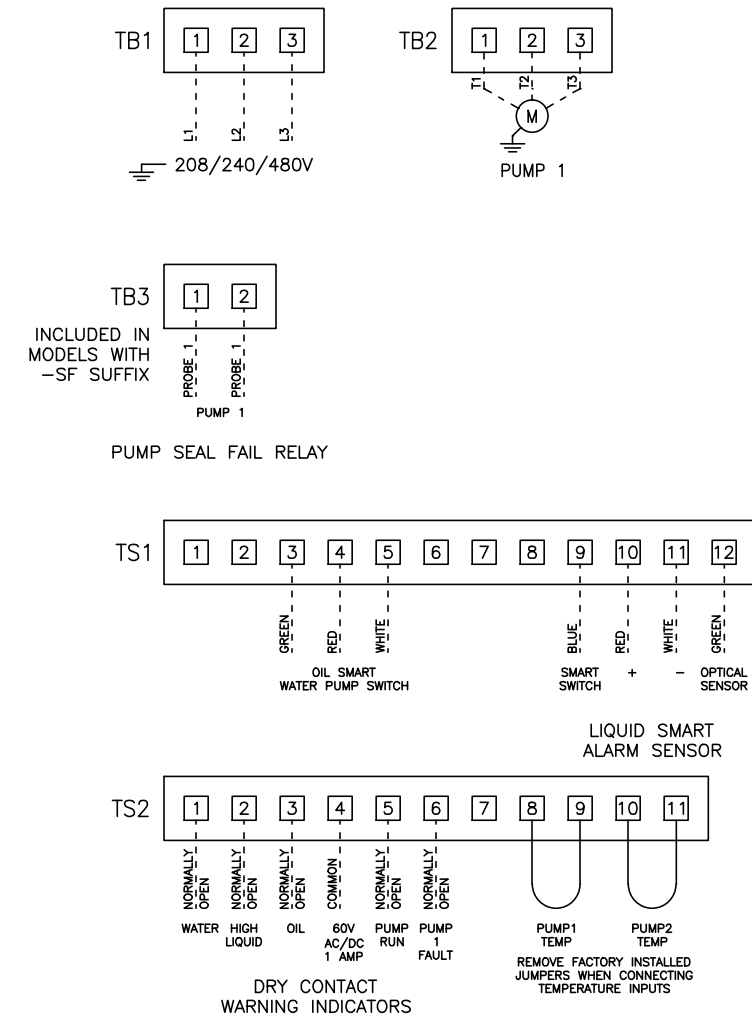
FNAME: OSSIM-TP-300X

REVDATE: 0817



REVISIONS				
ZONE	REV	DESCRIPTION	DATE	APPROVED
	A	ADDITION OF OSD BOARD AND OPTIONAL SEAL FAIL RELAY	7/29/15	
	B	RELOCATION OF TERMINAL BLOCKS	12/29/16	
	C	UPDATED INSTRUCTIONS	5/23/17	
	D	ADDITION OF SEAL FAIL RELAY CIRCUIT BREAKER	8/28/17	

FIELD WIRING CONNECTIONS



MULTI-TAP TRANSFORMER:

CONNECT FACTORY TAGGED WIRES TO APPROPRIATE TRANSFORMER VOLTAGE TAP. SEE BELOW FOR CONNECTIONS:

FOR 208V OPERATION, CONNECT TO FUSE INPUT HF & TO TRANSFORMER TAP H2.

FOR 240V OPERATION, CONNECT TO FUSE INPUT HF & TO TRANSFORMER TAP H3.

FOR 480V OPERATION, CONNECT TO FUSE INPUT HF & TO TRANSFORMER TAP H4.

----- DASHED LINE INDICATES FIELD WIRING.

USE COPPER CONDUCTORS ONLY.

TEMPERATURE RATING OF CONDUCTORS IS TO BE 60°C (167°F).

BRANCH CIRCUIT PROTECTION SHALL BE PROVIDED BY THE INSTALLER; MUST BE SIZED ACCORDING TO PUMP/MOTOR MANUFACTURING SPECIFICATIONS.

VERIFY CORRECT OPERATION OF CONTROL PANEL AFTER INSTALLATION IS COMPLETE.

DRAWN BY: MM	DATE: 7/20/14				
APPROVED BY:	DATE:				
THIS DRAWING CONTAINS PROPRIETARY INFORMATION AND SHALL NOT BE USED OR DISCLOSED WITHOUT PRIOR WRITTEN AUTHORIZATION.		TITLE: OSSIM-TP-300X CONTROL SCHEMATIC			
		SIZE B	DWG NO. 1513	PART NO. OSSIM-TP-300X	REV D
		SCALE NONE	SHEET 3 OF 3		