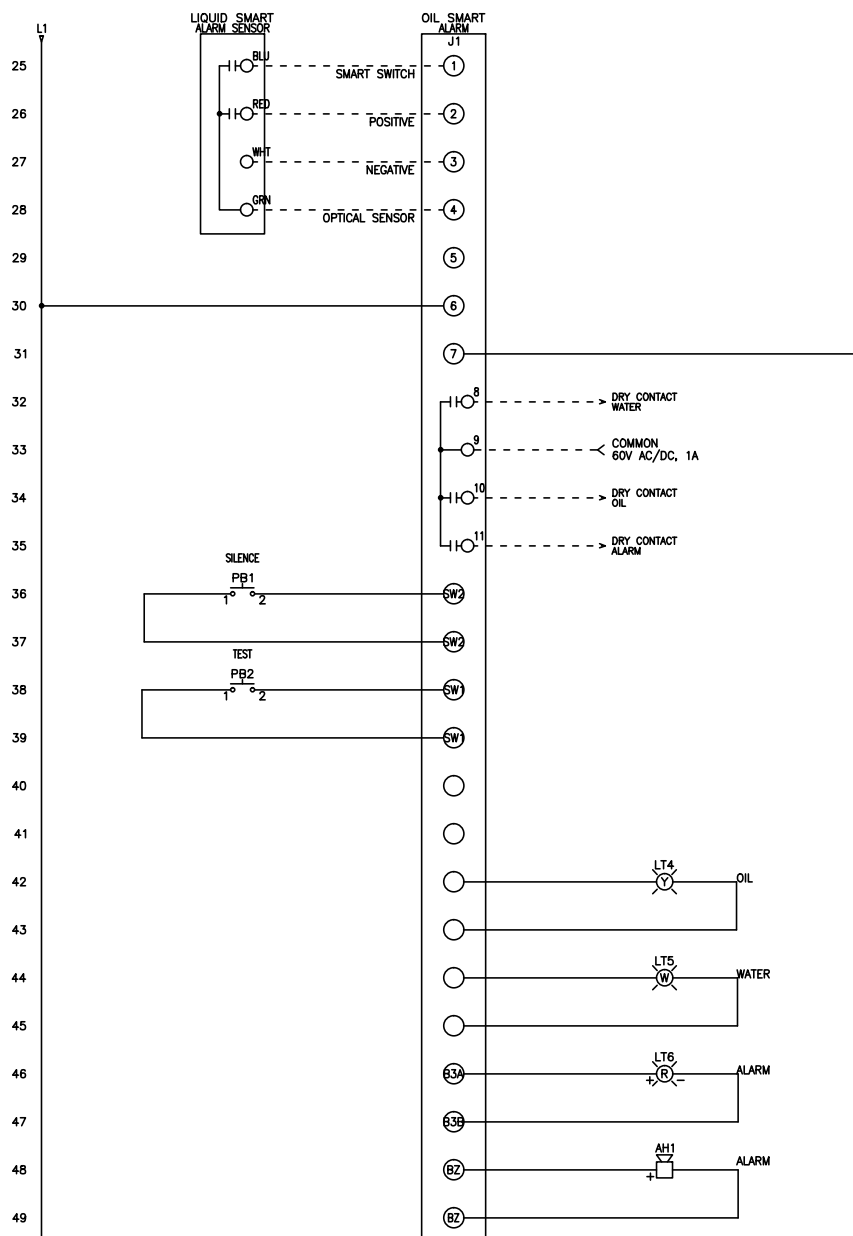
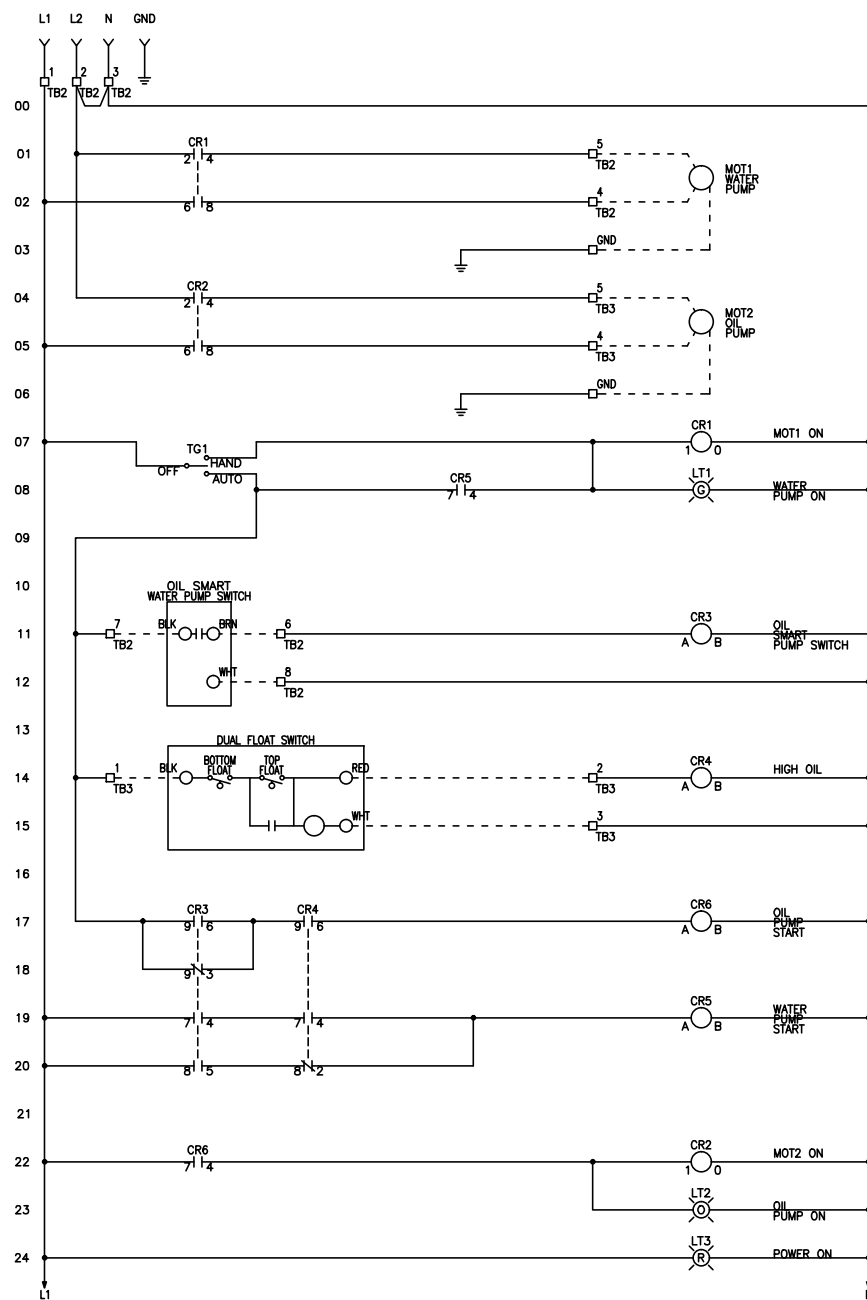
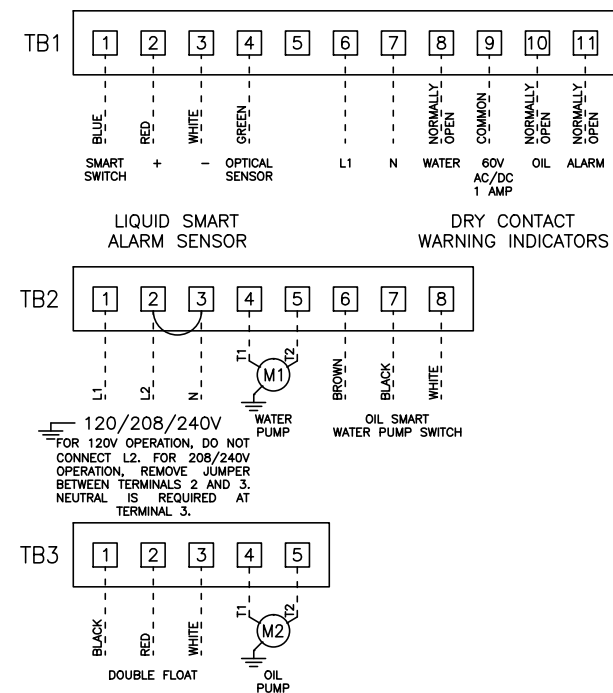


FRAME: OSSIM-30-OR-2

REVDATE: 0818

REVISIONS				
ZONE	REV	DESCRIPTION	DATE	APPROVED
	A	OIL SMART SWITCH & DUAL FLOAT SWITCH INCORPORATED INTO AUTO FUNCTION.	2/3/15	
	B	DUAL FLOAT SWITCH UPDATE	7/17/16	
	C	DUAL FLOAT SWITCH UPDATE. REMOVAL OF OIL TANK ALARM.	8/6/18	

FIELD WIRING CONNECTIONS



----- DASHED LINE INDICATES FIELD WIRING.

USE COPPER CONDUCTORS ONLY.

TEMPERATURE RATING OF CONDUCTORS IS TO BE 60°C (167°F).

BRANCH CIRCUIT PROTECTION SHALL BE PROVIDED BY THE INSTALLER. MUST BE SIZED ACCORDING TO PUMP/MOTOR MANUFACTURING SPECIFICATIONS.

VERIFY CORRECT OPERATION OF CONTROL PANEL AFTER INSTALLATION IS COMPLETE.

DRAWN BY:	DATE:	SEEWATER <i>Inc.</i>			
MM	4/23/14				
APPROVED BY:	DATE:	TITLE: OSSIM-30-OR-2 CONTROL SCHEMATIC			
THIS DRAWING CONTAINS PROPRIETARY INFORMATION AND SHALL NOT BE USED OR DISCLOSED WITHOUT PRIOR WRITTEN AUTHORIZATION.		SIZE	DWG NO.	PART NO.	REV
		B	1504	OSSIM-30-OR-2	C
		SCALE	NONE	SHEET	