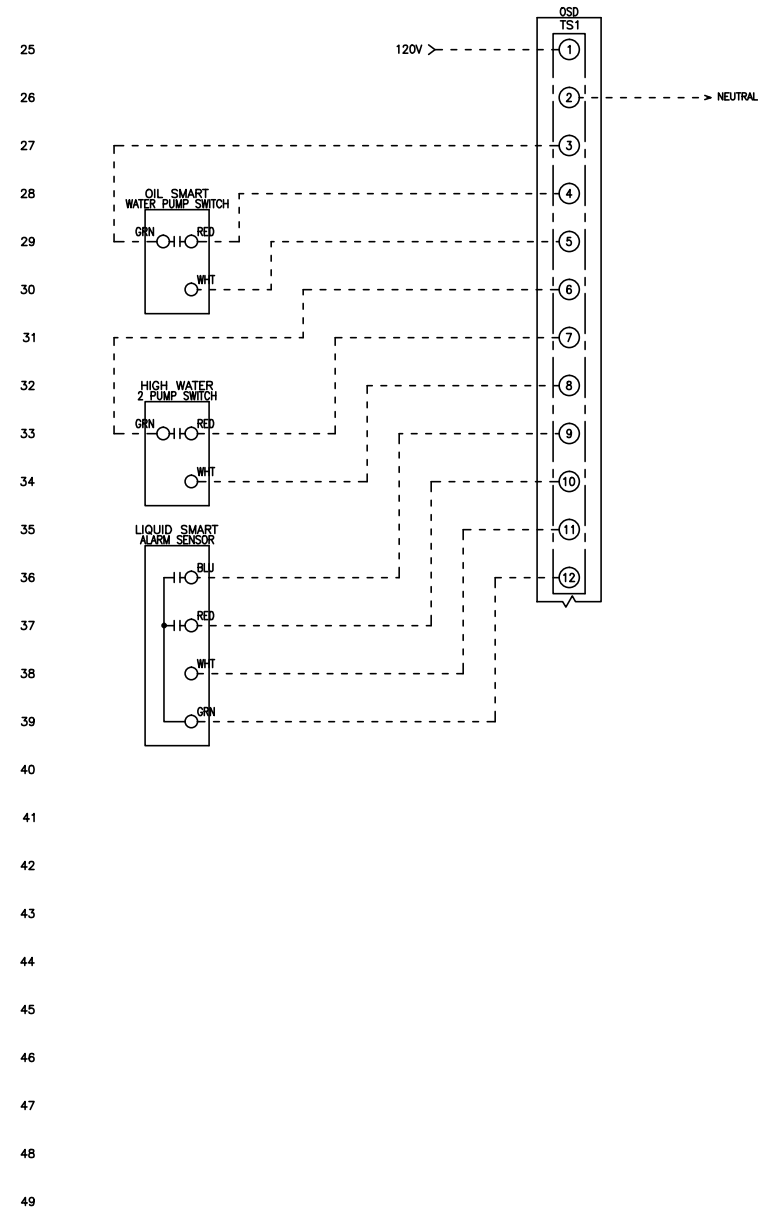
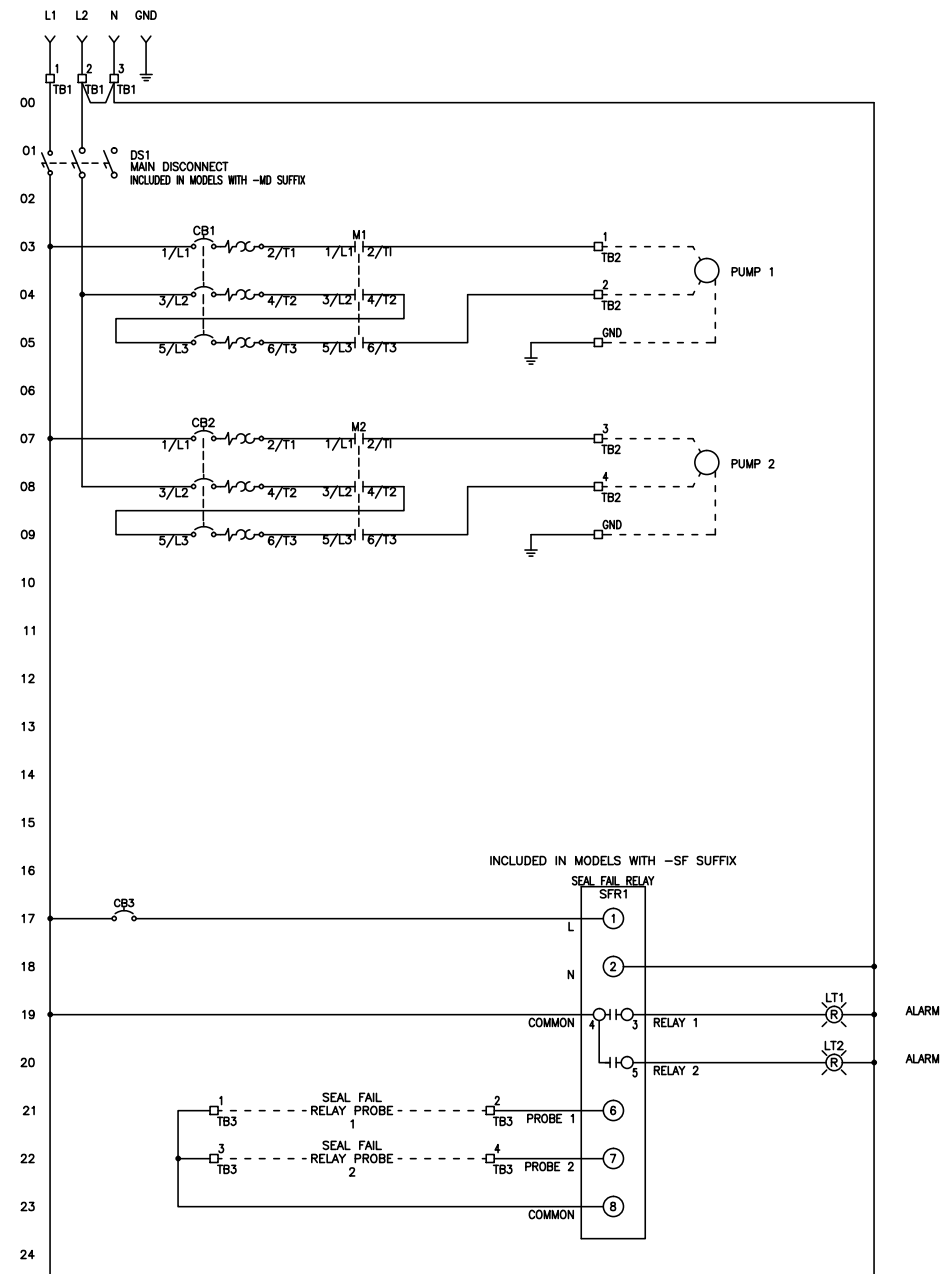


FNAME: OSD1P-102X

REVDATE: 0817

REVISIONS				
ZONE	REV	DESCRIPTION	DATE	APPROVED
	A	ADDITION OF OSD BOARD AND OPTIONAL SEAL FAIL RELAY	7/29/15	
	B	RELOCATION OF TERMINAL BLOCKS	12/29/16	
	C	ADDITION OF SEAL FAIL RELAY CIRCUIT BREAKER	8/28/17	



----- DASHED LINE INDICATES FIELD WIRING.

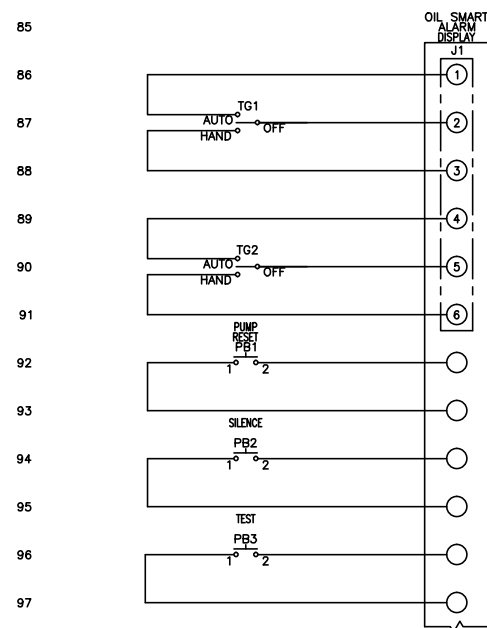
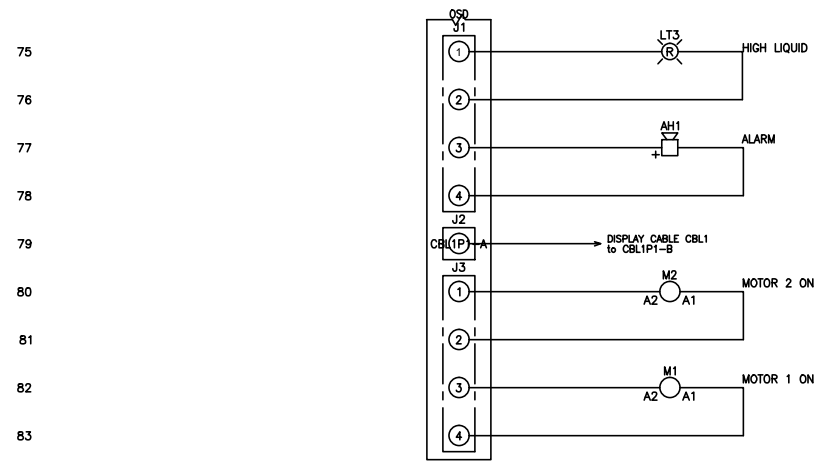
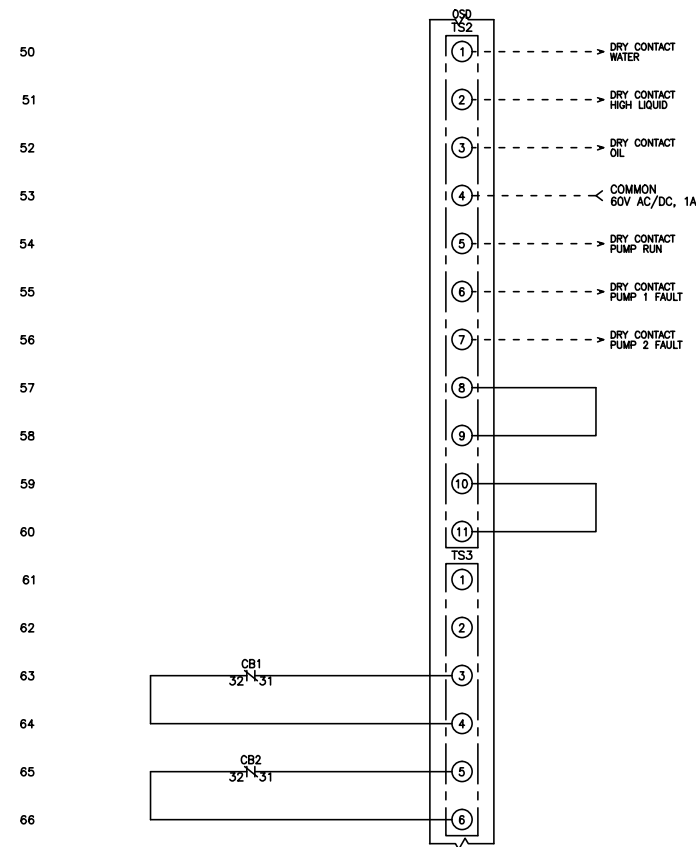
USE COPPER CONDUCTORS ONLY.
 TEMPERATURE RATING OF CONDUCTORS IS TO BE 60°C (167°F).
 BRANCH CIRCUIT PROTECTION SHALL BE PROVIDED BY THE INSTALLER; MUST BE SIZED ACCORDING TO PUMP/MOTOR MANUFACTURING SPECIFICATIONS.
 VERIFY CORRECT OPERATION OF CONTROL PANEL AFTER INSTALLATION IS COMPLETE.

DRAWN BY: MM	DATE: 7/25/14				
APPROVED BY:	DATE:				
THIS DRAWING CONTAINS PROPRIETARY INFORMATION AND SHALL NOT BE USED OR DISCLOSED WITHOUT PRIOR WRITTEN AUTHORIZATION.		TITLE: OSD1P-102X CONTROL SCHEMATIC			
		SIZE B	DWG NO. 1514	PART NO. OSD1P-102X	REV C
		SCALE NONE	SHEET 1 OF 3		

FNAME: OSD1P-102X

REVDATE: 0817

REVISIONS				
ZONE	REV	DESCRIPTION	DATE	APPROVED
	A	ADDITION OF OSD BOARD AND OPTIONAL SEAL FAIL RELAY	7/29/15	
	B	RELOCATION OF TERMINAL BLOCKS	12/29/16	
	C	ADDITION OF SEAL FAIL RELAY CIRCUIT BREAKER	8/28/17	



----- DASHED LINE INDICATES FIELD WIRING.

USE COPPER CONDUCTORS ONLY.
 TEMPERATURE RATING OF CONDUCTORS IS TO BE 60°C (167°F).
 BRANCH CIRCUIT PROTECTION SHALL BE PROVIDED BY THE INSTALLER; MUST BE SIZED ACCORDING TO PUMP/MOTOR MANUFACTURING SPECIFICATIONS.
 VERIFY CORRECT OPERATION OF CONTROL PANEL AFTER INSTALLATION IS COMPLETE.

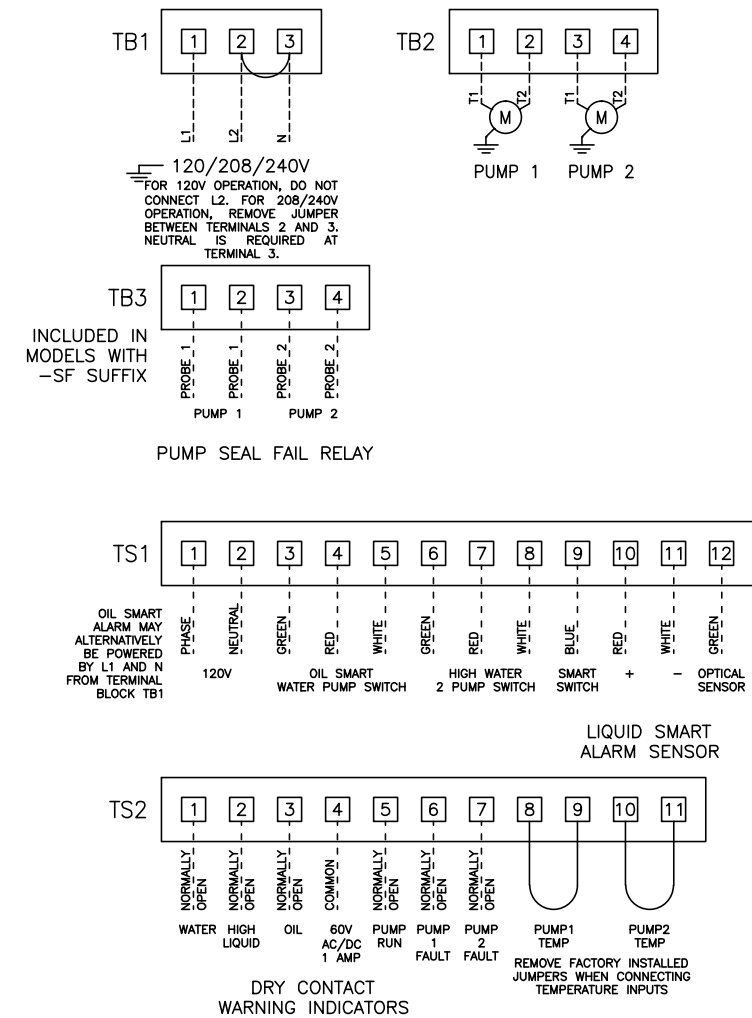
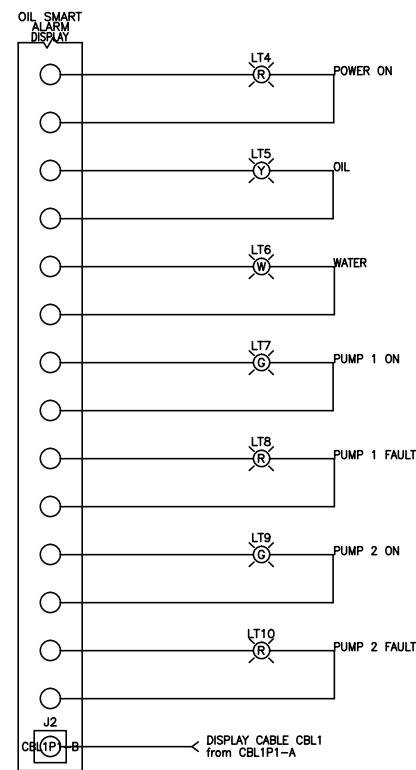
DRAWN BY: MM	DATE: 7/25/14				
APPROVED BY:	DATE:				
THIS DRAWING CONTAINS PROPRIETARY INFORMATION AND SHALL NOT BE USED OR DISCLOSED WITHOUT PRIOR WRITTEN AUTHORIZATION.		TITLE: OSD1P-102X CONTROL SCHEMATIC			
		SIZE B	DWG NO. 1514	PART NO. OSD1P-102X	REV C
		SCALE NONE	SHEET 2 OF 3		

FNAME: OSD1P-102X

REVDATE: 0817

REVISIONS				
ZONE	REV	DESCRIPTION	DATE	APPROVED
	A	ADDITION OF OSD BOARD AND OPTIONAL SEAL FAIL RELAY	7/29/15	
	B	RELOCATION OF TERMINAL BLOCKS	12/29/16	
	C	ADDITION OF SEAL FAIL RELAY CIRCUIT BREAKER	8/28/17	

FIELD WIRING CONNECTIONS



100
101
102
103
104
105
106
107
108
109
110
111
112
113
114
115
116
117
118
119
120
121
122
123
124

125
126
127
128
129
130
131
132
133
134
135
136
137
138
139
140
141
142
143
144
145
146
147
148
149

----- DASHED LINE INDICATES FIELD WIRING.

USE COPPER CONDUCTORS ONLY.
TEMPERATURE RATING OF CONDUCTORS IS TO BE 60°C (167°F).
BRANCH CIRCUIT PROTECTION SHALL BE PROVIDED BY THE INSTALLER; MUST BE SIZED ACCORDING TO PUMP/MOTOR MANUFACTURING SPECIFICATIONS.
VERIFY CORRECT OPERATION OF CONTROL PANEL AFTER INSTALLATION IS COMPLETE.

DRAWN BY: MM	DATE: 7/25/14				
APPROVED BY:	DATE:				
THIS DRAWING CONTAINS PROPRIETARY INFORMATION AND SHALL NOT BE USED OR DISCLOSED WITHOUT PRIOR WRITTEN AUTHORIZATION.		TITLE: OSD1P-102X CONTROL SCHEMATIC			
		SIZE B	DWG NO. 1514	PART NO. OSD1P-102X	REV C
		SCALE NONE	SHEET 3 OF 3		