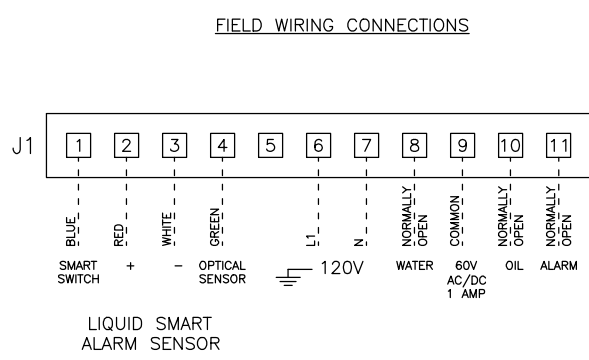
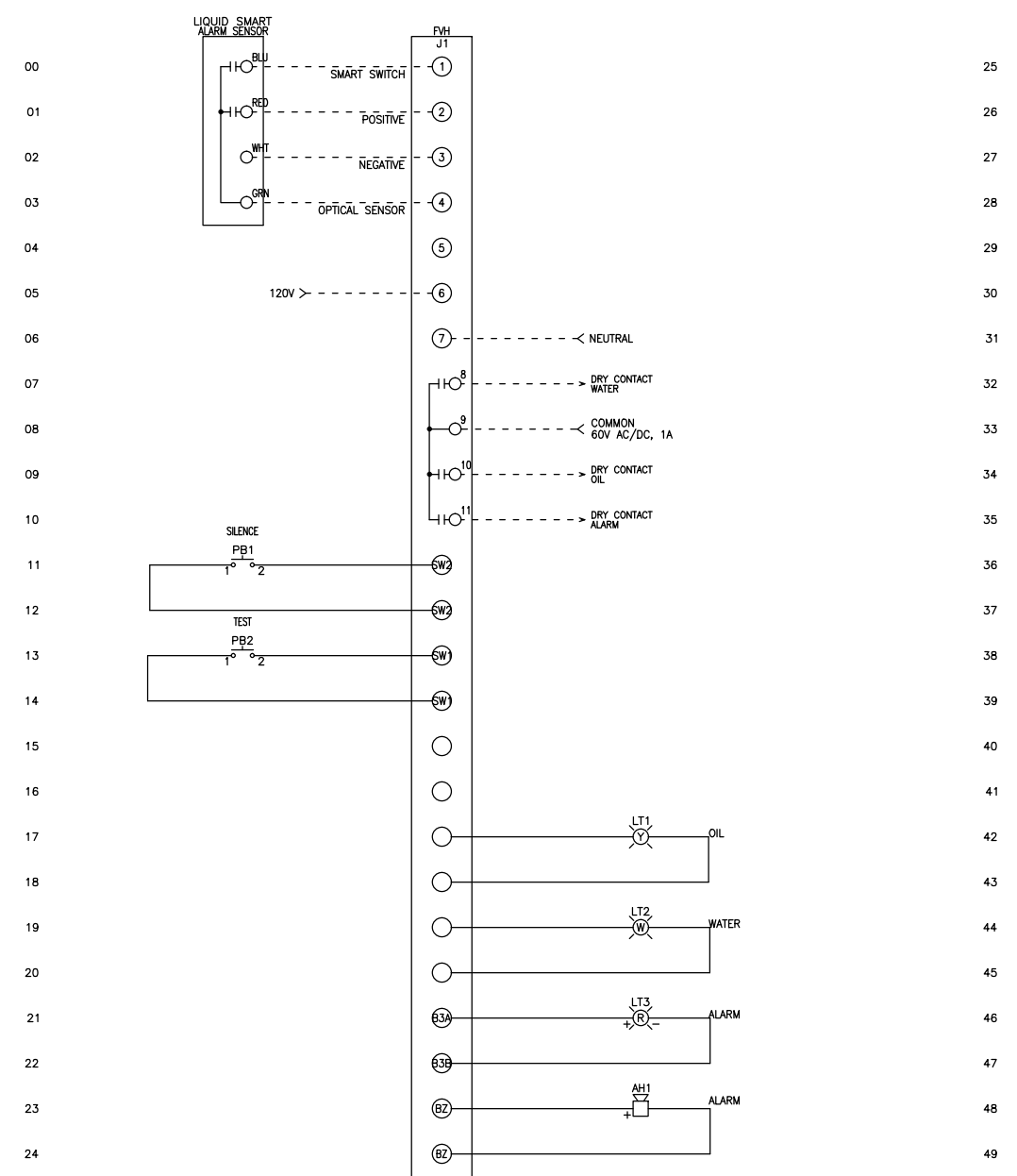


FNAME: OSA-06

REVDATE: 0116

REVISIONS				
ZONE	REV	DESCRIPTION	DATE	APPROVED



----- DASHED LINE INDICATES FIELD WIRING.

USE COPPER CONDUCTORS ONLY.  
 TEMPERATURE RATING OF CONDUCTORS IS TO BE 60°C (167°F).  
 BRANCH CIRCUIT PROTECTION SHALL BE PROVIDED BY THE INSTALLER; MUST BE SIZED ACCORDING TO PUMP/MOTOR MANUFACTURING SPECIFICATIONS.  
 VERIFY CORRECT OPERATION OF CONTROL PANEL AFTER INSTALLATION IS COMPLETE.

DRAWN BY: MM	DATE: 1/15/16				
APPROVED BY:	DATE:				
THIS DRAWING CONTAINS PROPRIETARY INFORMATION AND SHALL NOT BE USED OR DISCLOSED WITHOUT PRIOR WRITTEN AUTHORIZATION.		TITLE: OSA-06 CONTROL SCHEMATIC			
		SIZE B	DWG NO. 1579	PART NO. OSA-06	REV
		SCALE NONE	SHEET 1 OF 1		