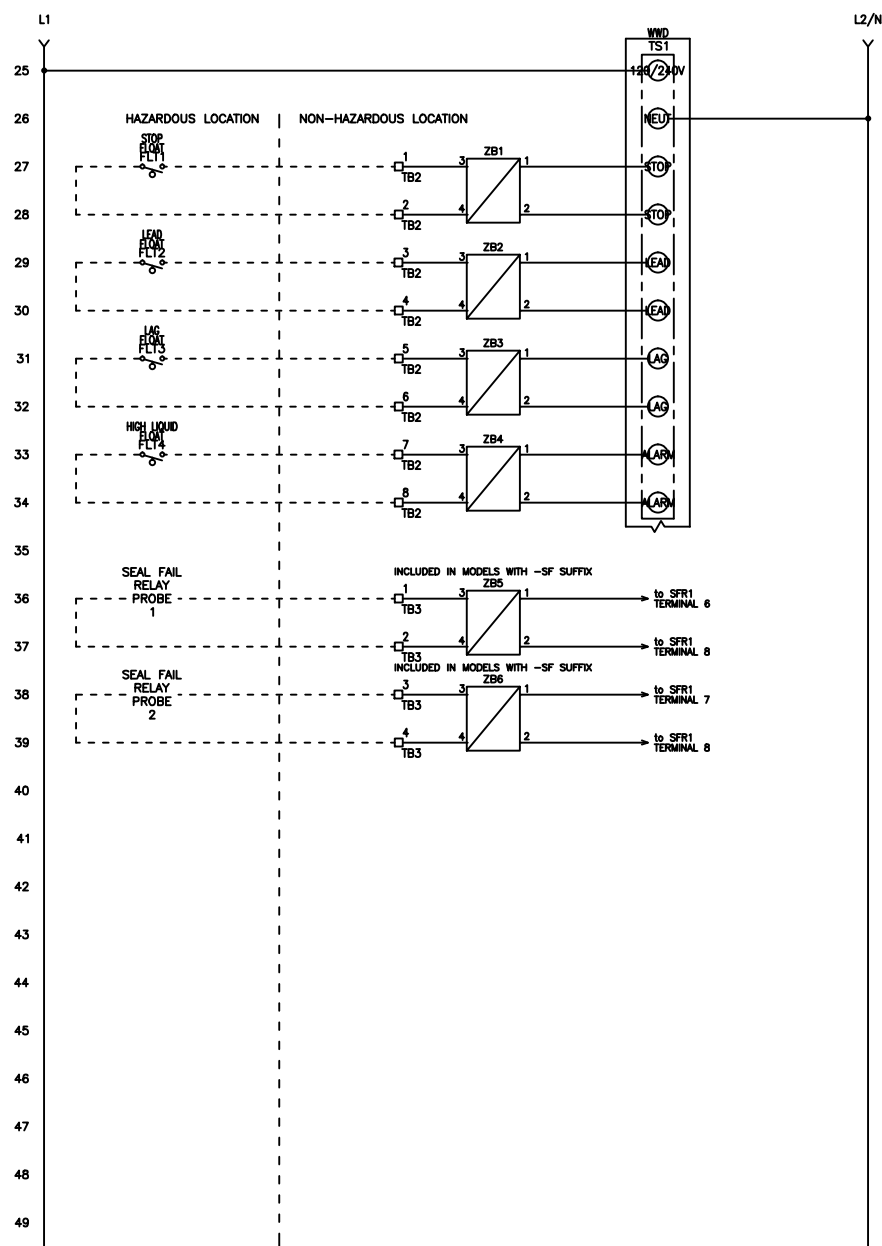
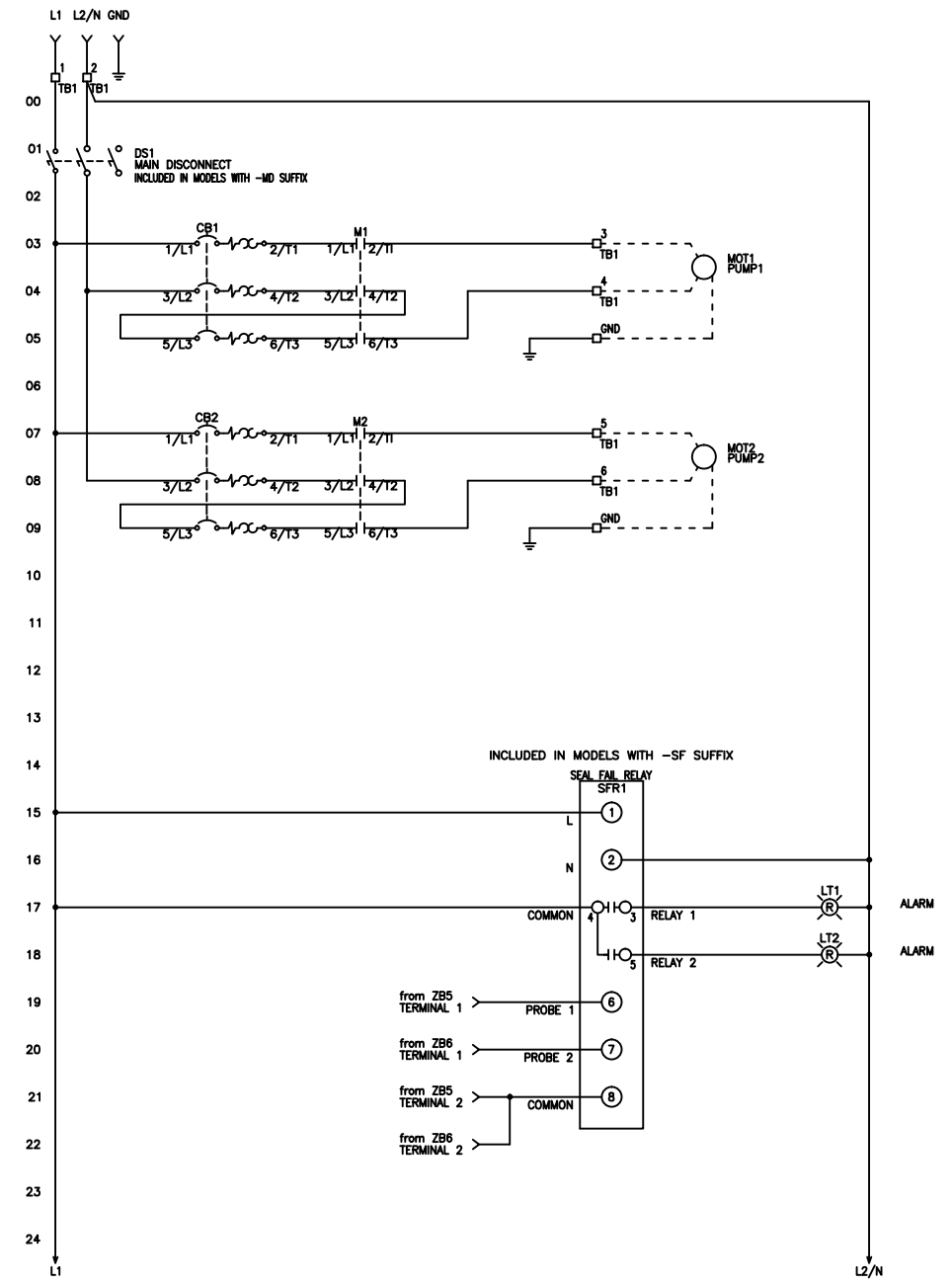


FNAME: IS-WD1P-4-102X

REVDATE: 0115

REVISIONS				
ZONE	REV	DESCRIPTION	DATE	APPROVED
	A	ADDITION OF OPTIONAL SEAL FAIL RELAY	1/17/15	



----- DASHED LINE INDICATES FIELD WIRING.

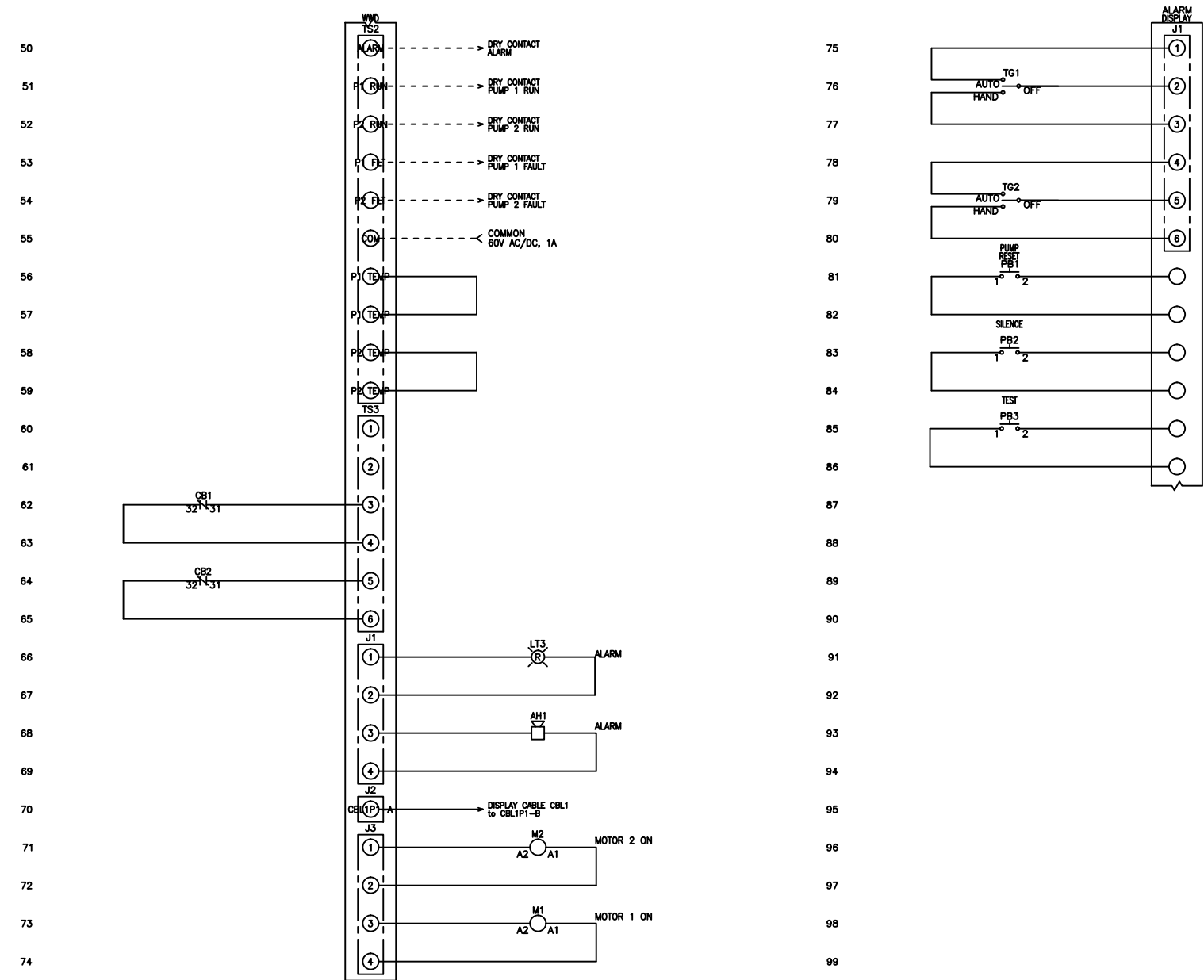
USE COPPER CONDUCTORS ONLY.  
 TEMPERATURE RATING OF CONDUCTORS IS TO BE 60°C (167°F).  
 BRANCH CIRCUIT PROTECTION SHALL BE PROVIDED BY THE INSTALLER; MUST BE SIZED ACCORDING TO PUMP/MOTOR MANUFACTURING SPECIFICATIONS.  
 VERIFY CORRECT OPERATION OF CONTROL PANEL AFTER INSTALLATION IS COMPLETE.

DRAWN BY: MM	DATE: 1/8/15	<b>SEEWATER</b> <i>Inc.</i>			
APPROVED BY:	DATE:				
THIS DRAWING CONTAINS PROPRIETARY INFORMATION AND SHALL NOT BE USED OR DISCLOSED WITHOUT PRIOR WRITTEN AUTHORIZATION.		TITLE: IS-WD1P-4-102X CONTROL SCHEMATIC			
		SIZE B	DWG NO. 1533	PART NO. IS-WD1P-4-102X	REV A
		SCALE NONE		SHEET 1 OF 3	

FNAME: IS-WD1P-4-102X

REVDATE: 0115

REVISIONS				
ZONE	REV	DESCRIPTION	DATE	APPROVED
	A	ADDITION OF OPTIONAL SEAL FAIL RELAY	1/17/15	



----- DASHED LINE INDICATES FIELD WIRING.

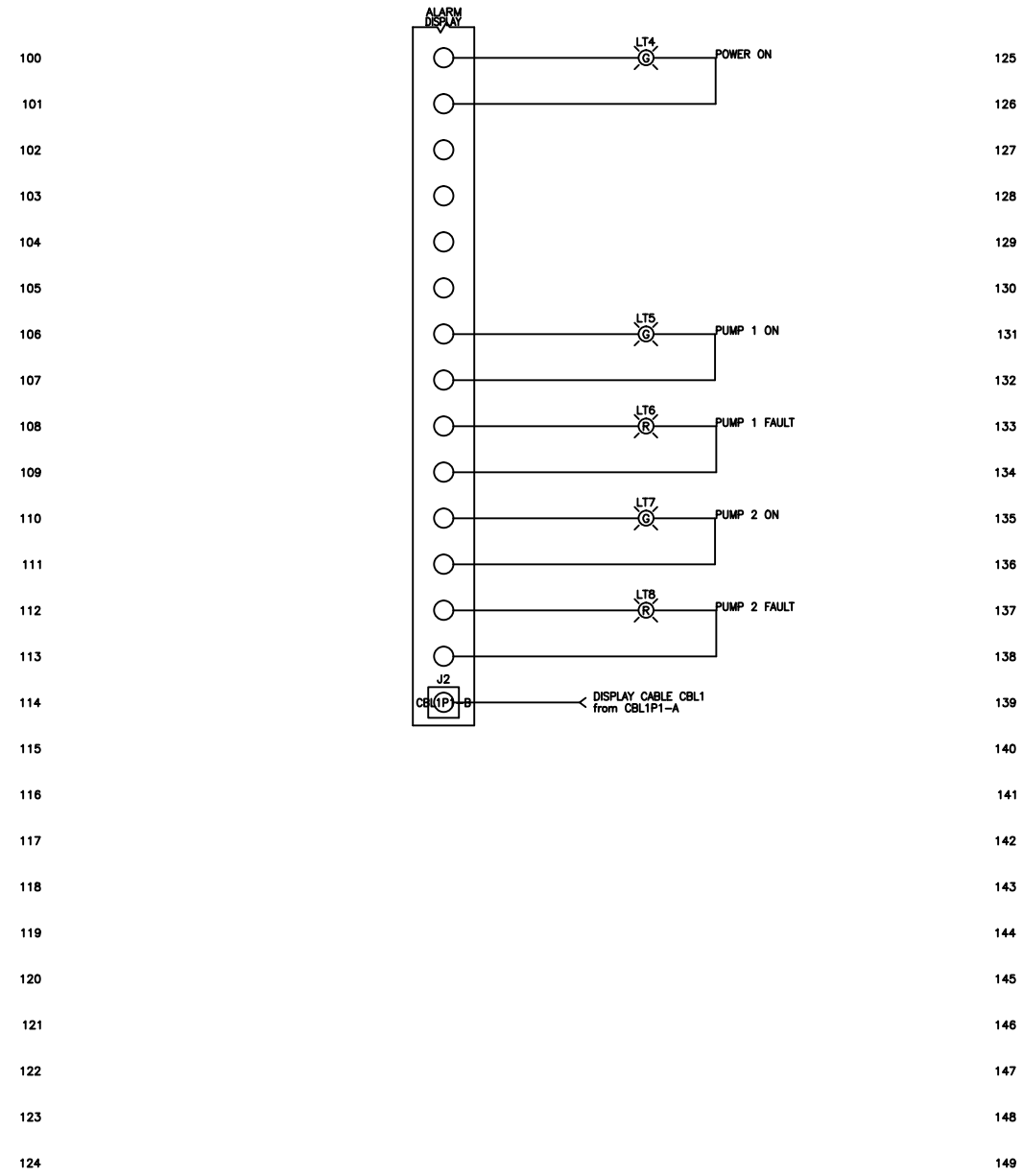
USE COPPER CONDUCTORS ONLY.  
 TEMPERATURE RATING OF CONDUCTORS IS TO BE 60°C (167°F).  
 BRANCH CIRCUIT PROTECTION SHALL BE PROVIDED BY THE INSTALLER; MUST BE SIZED ACCORDING TO PUMP/MOTOR MANUFACTURING SPECIFICATIONS.  
 VERIFY CORRECT OPERATION OF CONTROL PANEL AFTER INSTALLATION IS COMPLETE.

DRAWN BY: MM	DATE: 1/8/15	<b>SEEWATER</b> <i>Inc.</i>			
APPROVED BY:	DATE:				
THIS DRAWING CONTAINS PROPRIETARY INFORMATION AND SHALL NOT BE USED OR DISCLOSED WITHOUT PRIOR WRITTEN AUTHORIZATION.		TITLE: IS-WD1P-4-102X CONTROL SCHEMATIC			
		SIZE B	DWG NO. 1533	PART NO. IS-WD1P-4-102X	REV A
		SCALE NONE		SHEET 2 OF 3	

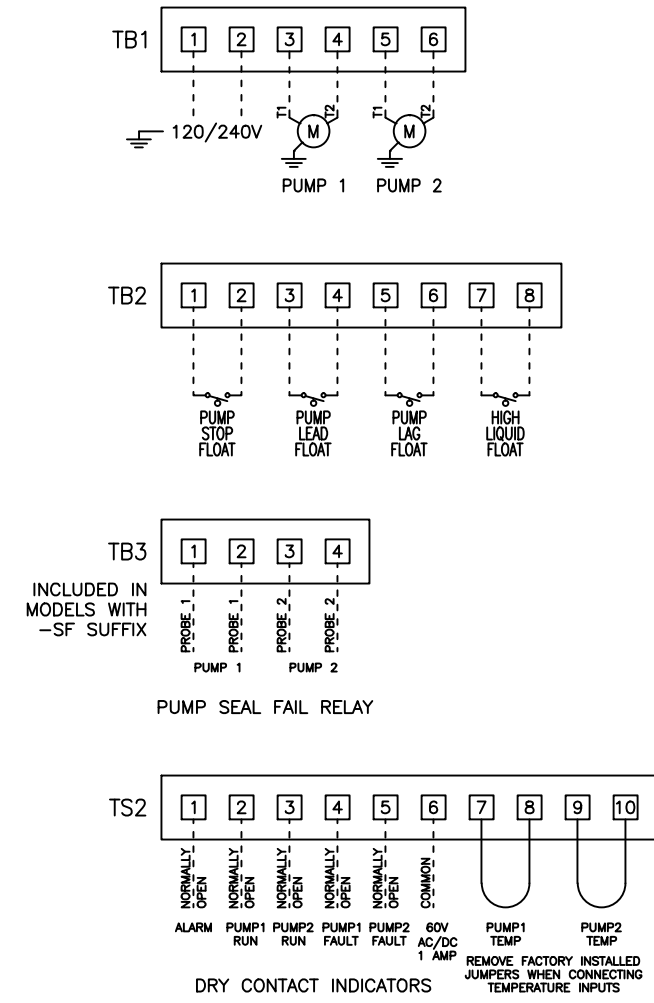
FNAME: IS-WD1P-4-102X

REVDATE: 0115

REVISIONS				
ZONE	REV	DESCRIPTION	DATE	APPROVED
	A	ADDITION OF OPTIONAL SEAL FAIL RELAY	1/17/15	



**FIELD WIRING CONNECTIONS**



----- DASHED LINE INDICATES FIELD WIRING.

USE COPPER CONDUCTORS ONLY.  
 TEMPERATURE RATING OF CONDUCTORS IS TO BE 60°C (167°F).  
 BRANCH CIRCUIT PROTECTION SHALL BE PROVIDED BY THE INSTALLER; MUST BE SIZED ACCORDING TO PUMP/MOTOR MANUFACTURING SPECIFICATIONS.  
 VERIFY CORRECT OPERATION OF CONTROL PANEL AFTER INSTALLATION IS COMPLETE.

DRAWN BY: MM	DATE: 1/8/15				
APPROVED BY:	DATE:				
THIS DRAWING CONTAINS PROPRIETARY INFORMATION AND SHALL NOT BE USED OR DISCLOSED WITHOUT PRIOR WRITTEN AUTHORIZATION.		TITLE: IS-WD1P-4-102X CONTROL SCHEMATIC			
		SIZE B	DWG NO. 1533	PART NO. IS-WD1P-4-102X	REV A
		SCALE NONE		SHEET 3 OF 3	