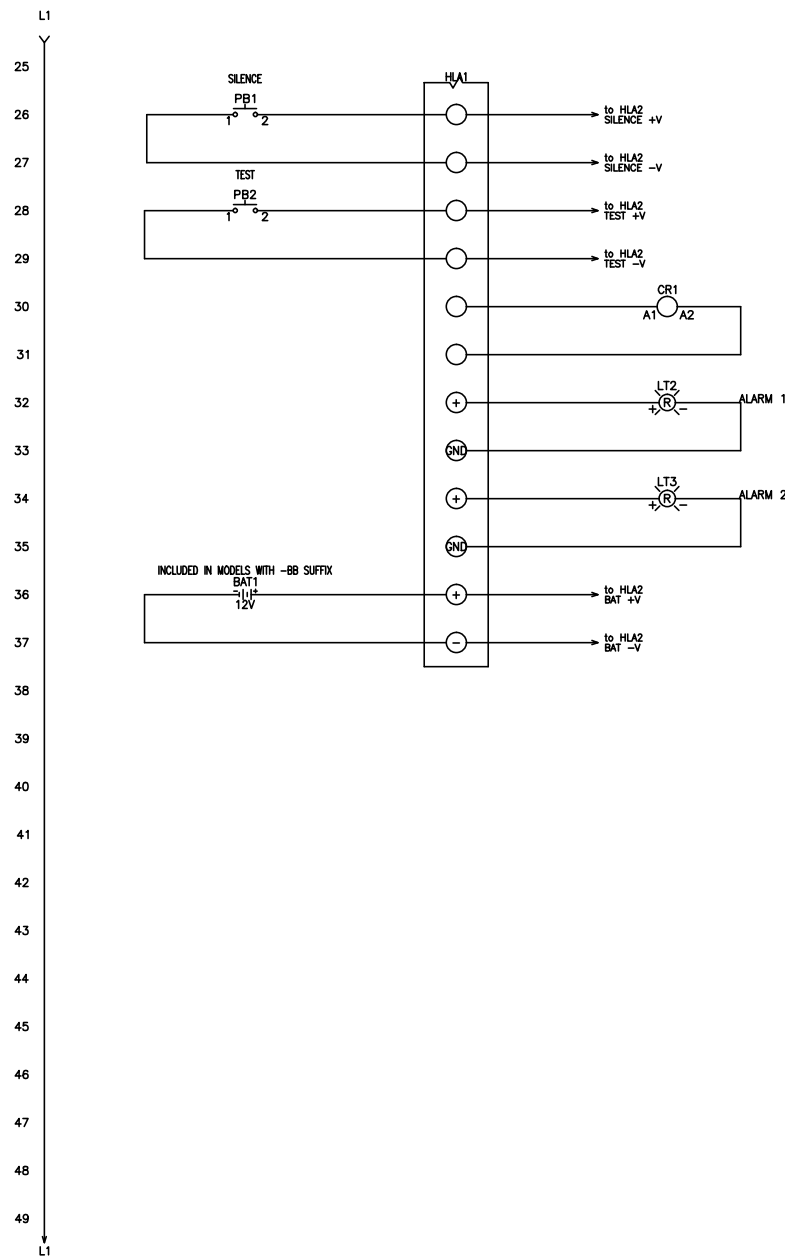
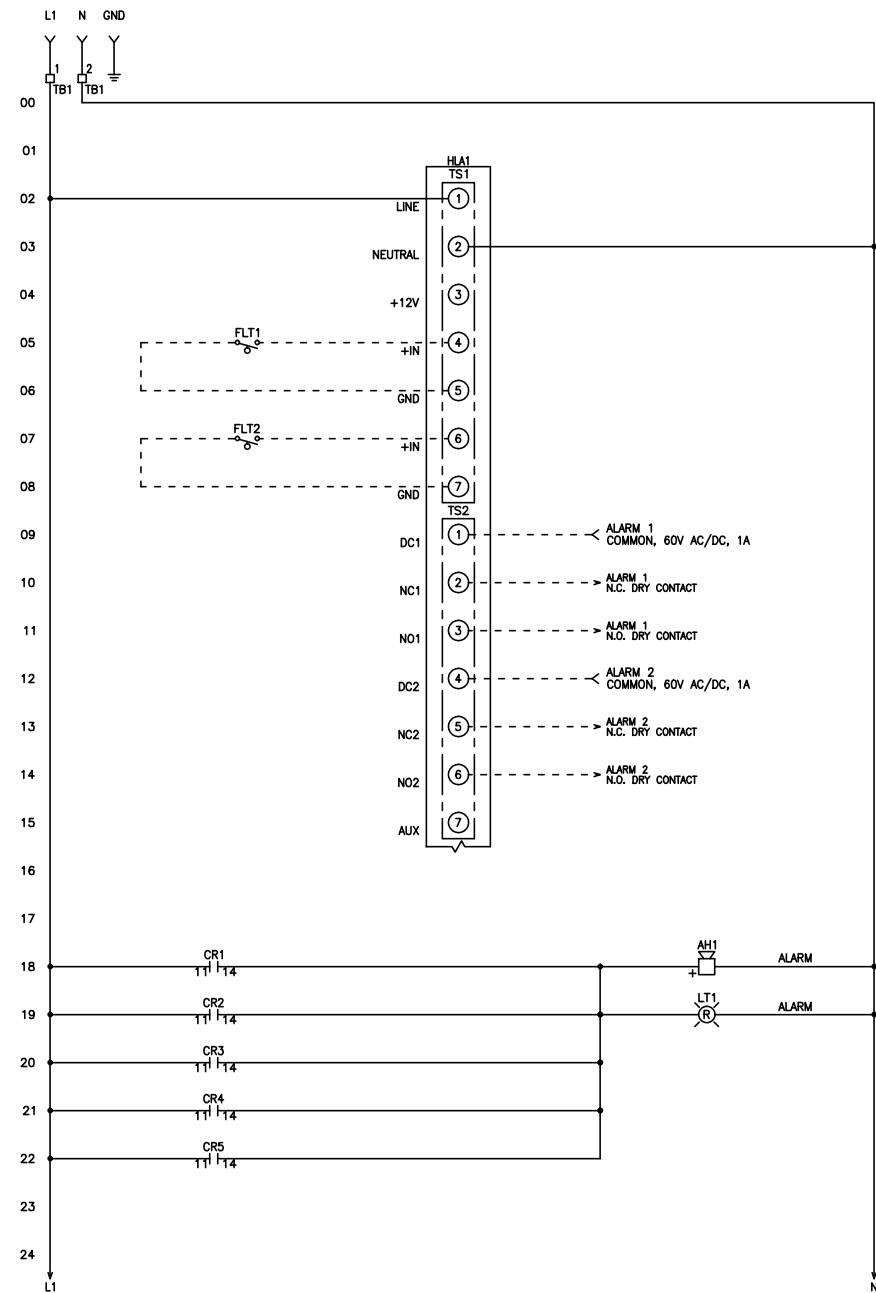


FRAME: HLA-4X-10

REVDATE: 0817

REVISIONS				
ZONE	REV	DESCRIPTION	DATE	APPROVED
	A	VARIOUS UPDATES	8/28/17	



NOTES:
 -S4 SUFFIX INDICATES ALL FLOATS ARE NORMALLY CLOSED FLOATS.
 -32 SUFFIX INDICATES CUSTOM LABELING THAT MAY DIFFER FROM THE STANDARD LABELING AND/OR NORMALLY OPEN AND NORMALLY CLOSED MAY DIFFER FROM DRAWING ABOVE.

----- DASHED LINE INDICATES FIELD WIRING.

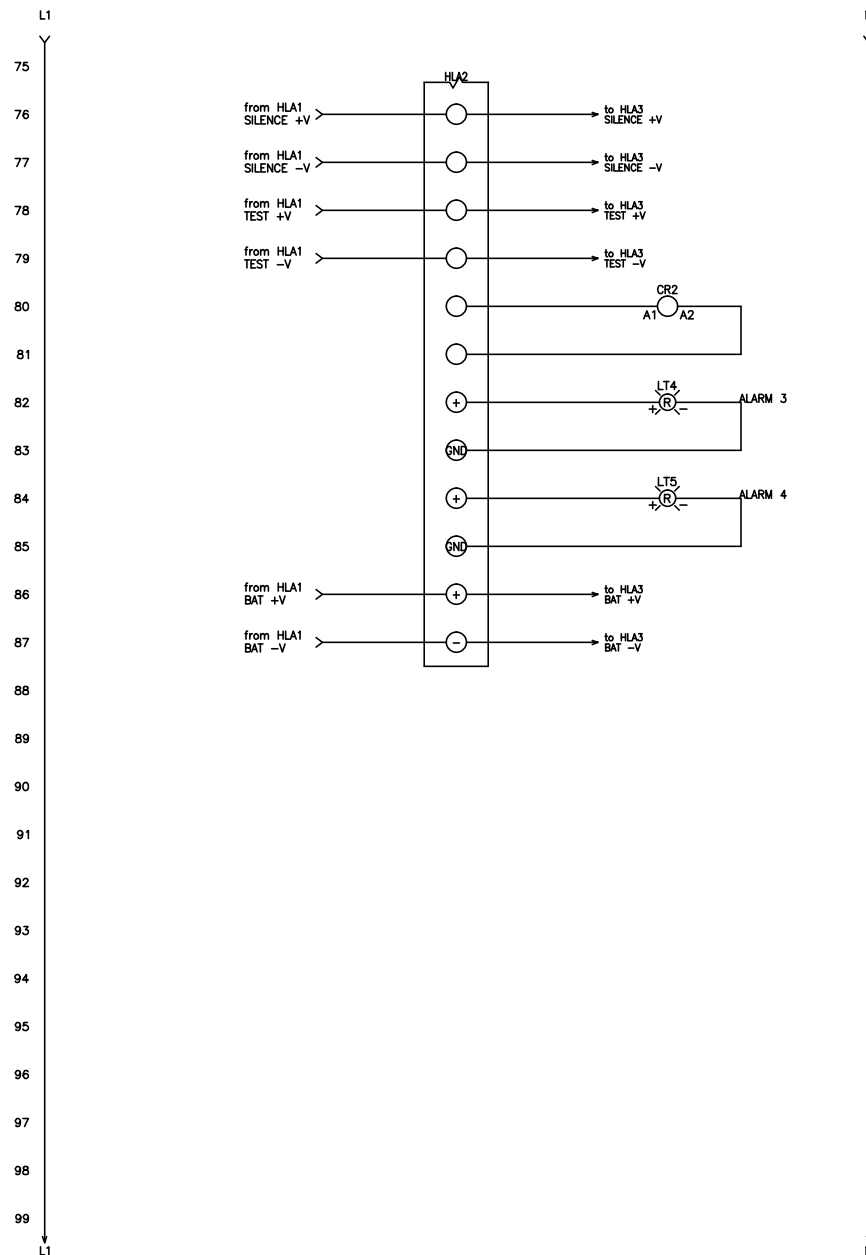
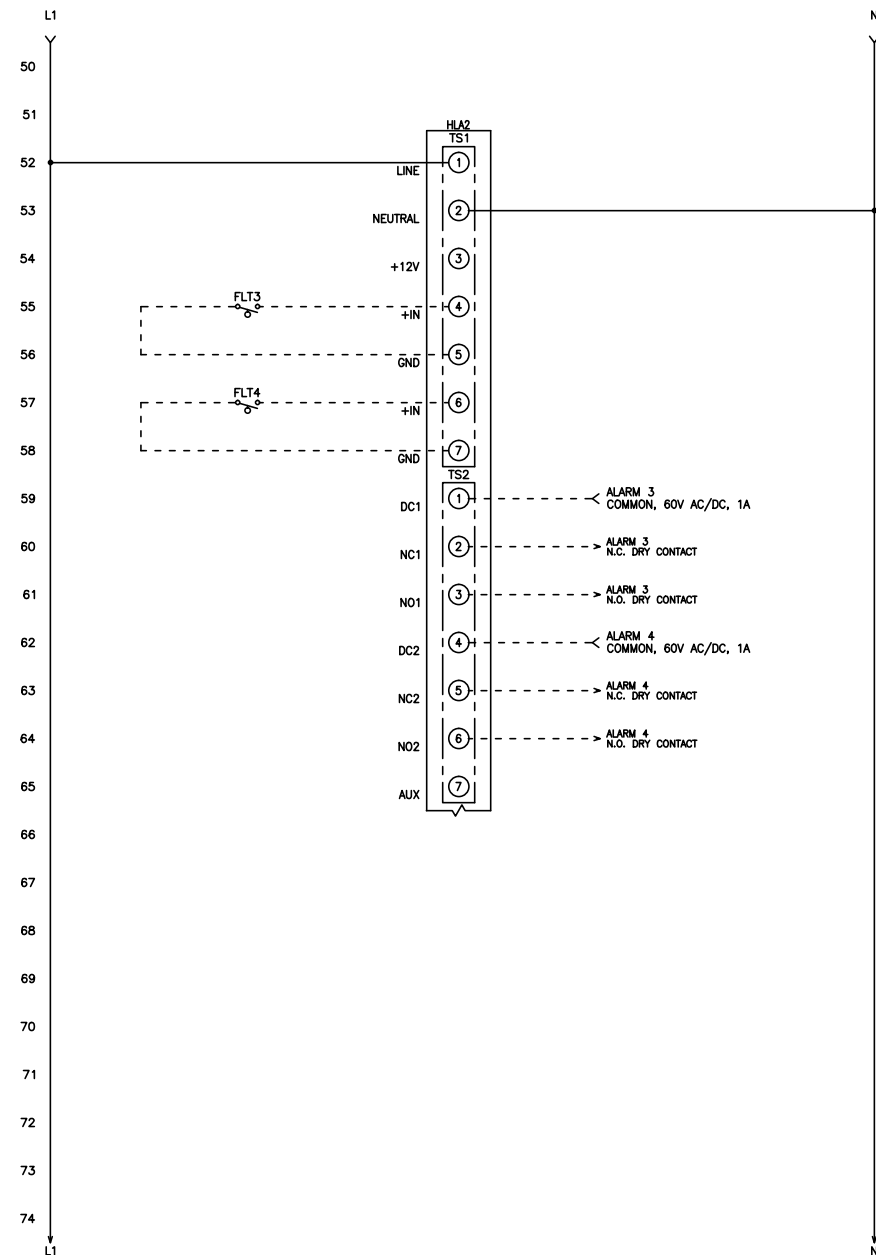
USE COPPER CONDUCTORS ONLY.
 TEMPERATURE RATING OF CONDUCTORS IS TO BE 60°C (167°F).
 BRANCH CIRCUIT PROTECTION SHALL BE PROVIDED BY THE INSTALLER; MUST BE SIZED ACCORDING TO PUMP/MOTOR MANUFACTURING SPECIFICATIONS.
 VERIFY CORRECT OPERATION OF CONTROL PANEL AFTER INSTALLATION IS COMPLETE.

DRAWN BY: MM	DATE: 7/23/16				
APPROVED BY:	DATE:				
THIS DRAWING CONTAINS PROPRIETARY INFORMATION AND SHALL NOT BE USED OR DISCLOSED WITHOUT PRIOR WRITTEN AUTHORIZATION.		TITLE: HLA-4X-10 CONTROL SCHEMATIC			
		SIZE B	DWG NO. 1596	PART NO. HLA-4X-10	REV A
		SCALE NONE		SHEET 1 OF 6	

FRAME: HLA-4X-10

REVDATE: 0817

REVISIONS				
ZONE	REV	DESCRIPTION	DATE	APPROVED
	A	VARIOUS UPDATES	8/28/17	



NOTES:
 -S4 SUFFIX INDICATES ALL FLOATS ARE NORMALLY CLOSED FLOATS.
 -32 SUFFIX INDICATES CUSTOM LABELING THAT MAY DIFFER FROM THE STANDARD LABELING AND/OR NORMALLY OPEN AND NORMALLY CLOSED MAY DIFFER FROM DRAWING ABOVE.

----- DASHED LINE INDICATES FIELD WIRING.

USE COPPER CONDUCTORS ONLY.
 TEMPERATURE RATING OF CONDUCTORS IS TO BE 60°C (167°F).
 BRANCH CIRCUIT PROTECTION SHALL BE PROVIDED BY THE INSTALLER; MUST BE SIZED ACCORDING TO PUMP/MOTOR MANUFACTURING SPECIFICATIONS.
 VERIFY CORRECT OPERATION OF CONTROL PANEL AFTER INSTALLATION IS COMPLETE.

DRAWN BY: MM DATE: 7/23/16
 APPROVED BY: DATE:



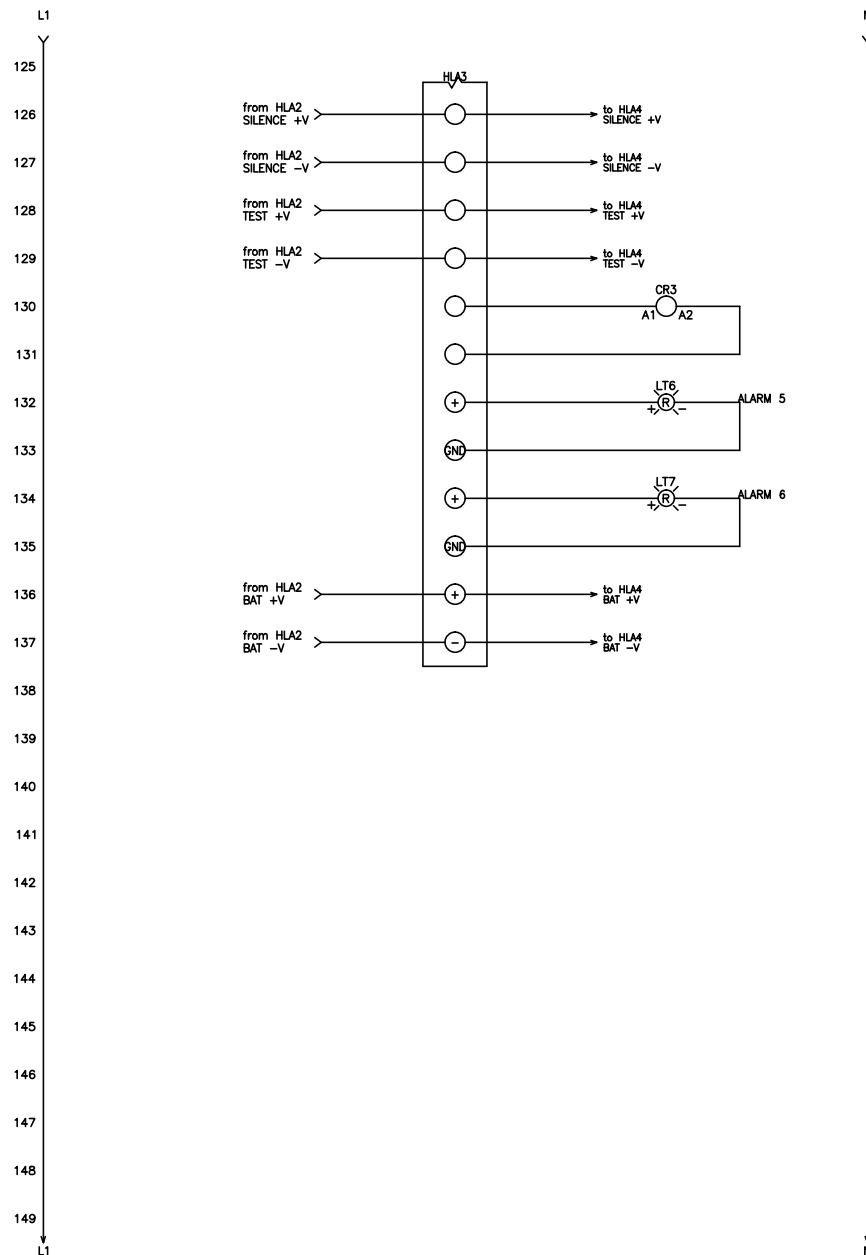
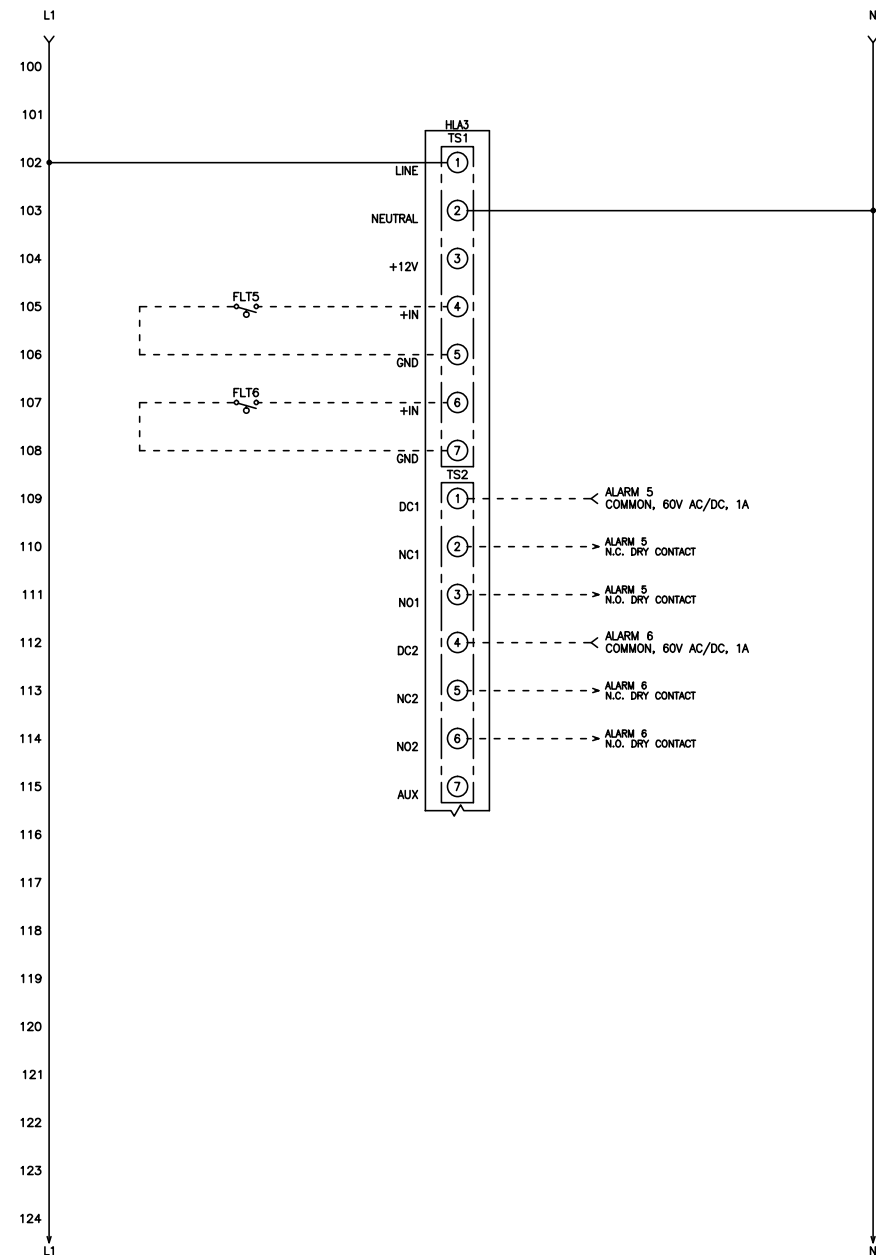
THIS DRAWING CONTAINS PROPRIETARY INFORMATION AND SHALL NOT BE USED OR DISCLOSED WITHOUT PRIOR WRITTEN AUTHORIZATION.

TITLE: HLA-4X-10 CONTROL SCHEMATIC				
SIZE B	DWG NO. 1596	PART NO. HLA-4X-10	REV A	
SCALE NONE		SHEET 2 OF 6		

FRAME: HLA-4X-10

REVDATE: 0817

REVISIONS				
ZONE	REV	DESCRIPTION	DATE	APPROVED
	A	VARIOUS UPDATES	8/28/17	



NOTES:
 -S4 SUFFIX INDICATES ALL FLOATS ARE NORMALLY CLOSED FLOATS.
 -32 SUFFIX INDICATES CUSTOM LABELING THAT MAY DIFFER FROM THE STANDARD LABELING AND/OR NORMALLY OPEN AND NORMALLY CLOSED MAY DIFFER FROM DRAWING ABOVE.

----- DASHED LINE INDICATES FIELD WIRING.

USE COPPER CONDUCTORS ONLY.
 TEMPERATURE RATING OF CONDUCTORS IS TO BE 60°C (167°F).
 BRANCH CIRCUIT PROTECTION SHALL BE PROVIDED BY THE INSTALLER; MUST BE SIZED ACCORDING TO PUMP/MOTOR MANUFACTURING SPECIFICATIONS.
 VERIFY CORRECT OPERATION OF CONTROL PANEL AFTER INSTALLATION IS COMPLETE.

DRAWN BY: MM
 DATE: 7/23/16
 APPROVED BY: DATE:



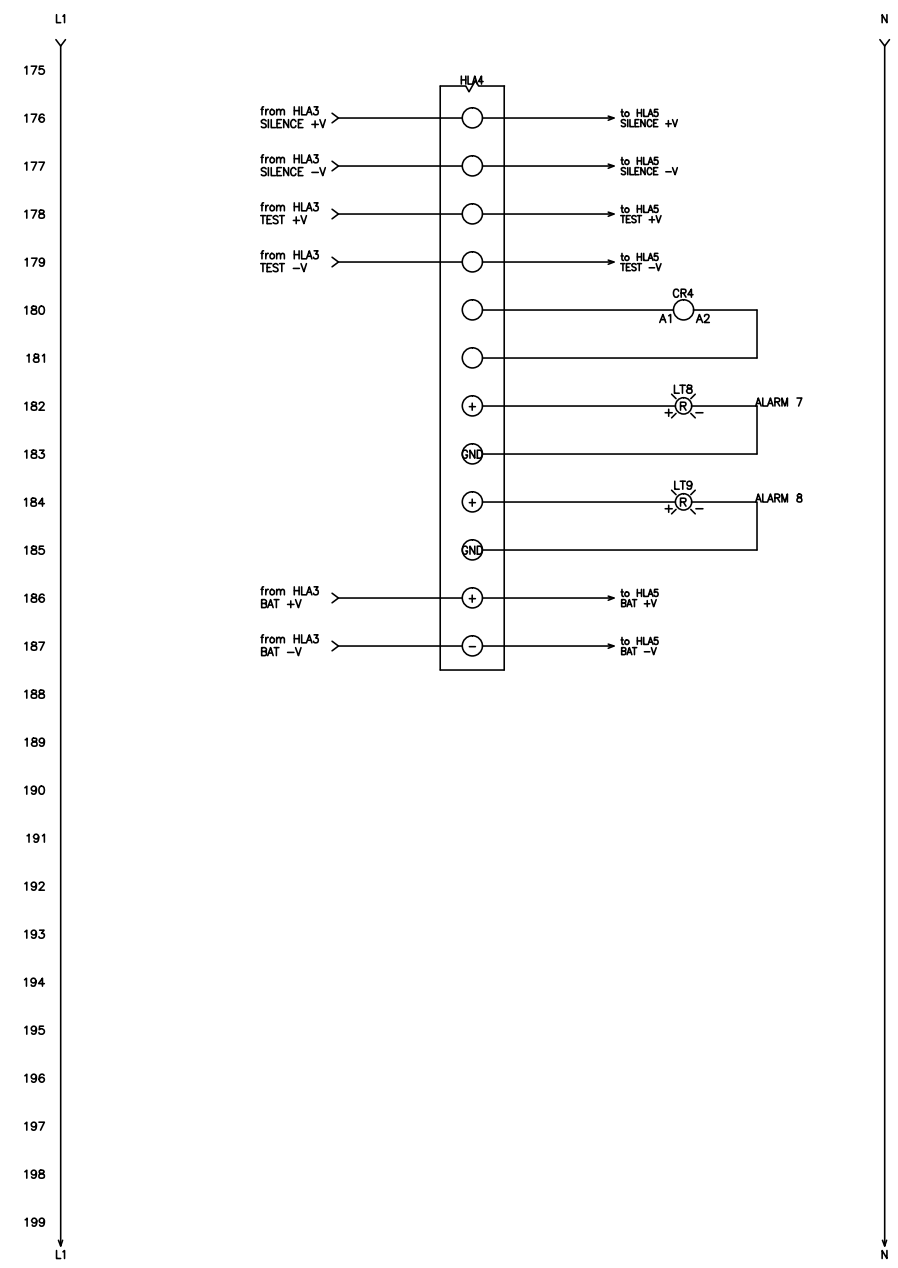
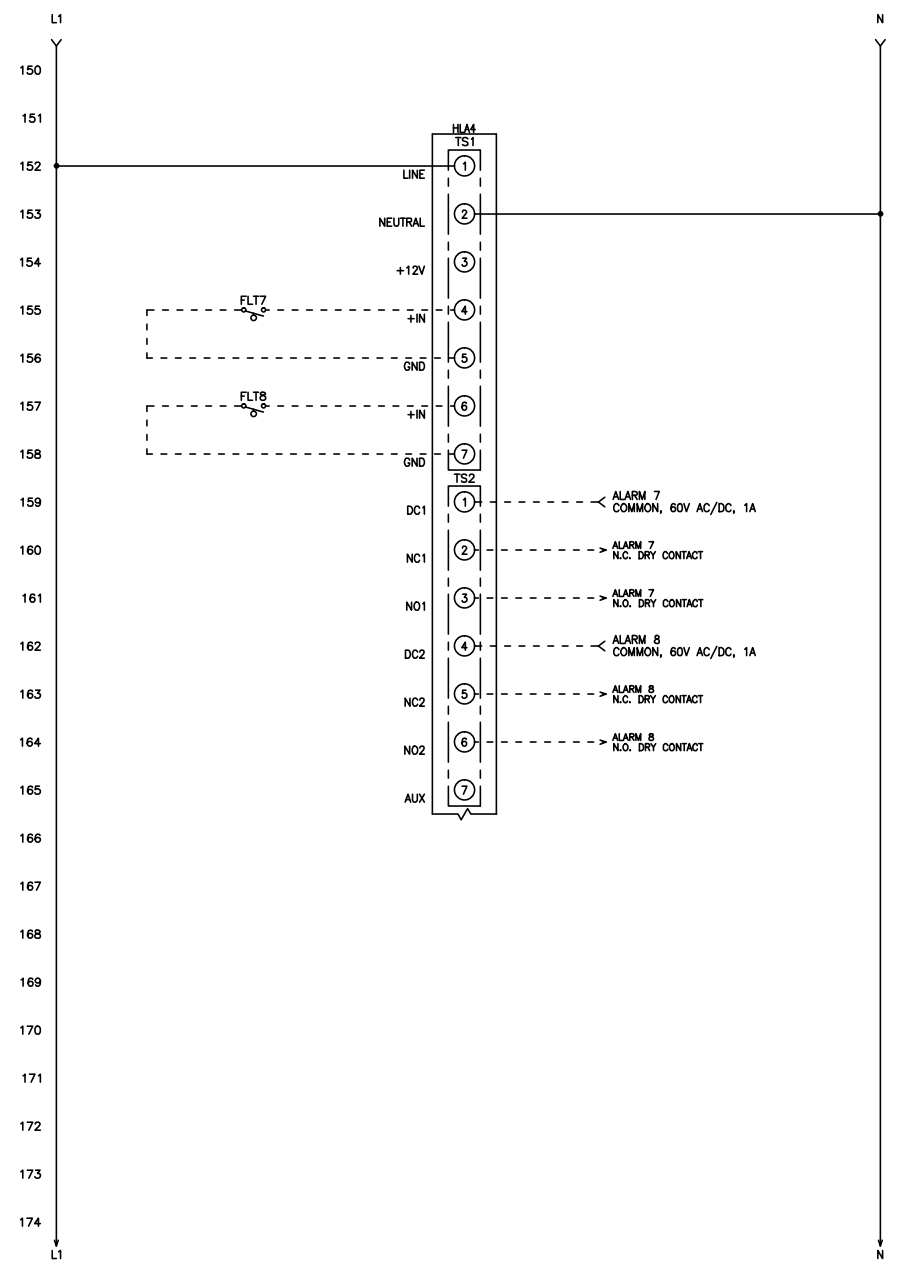
TITLE: HLA-4X-10 CONTROL SCHEMATIC			
SIZE B	DWG NO. 1596	PART NO. HLA-4X-10	REV A
SCALE NONE	SHEET 3 OF 6		

THIS DRAWING CONTAINS PROPRIETARY INFORMATION AND SHALL NOT BE USED OR DISCLOSED WITHOUT PRIOR WRITTEN AUTHORIZATION.

FRAME: HLA-4X-10

REVDATE: 0817

REVISIONS				
ZONE	REV	DESCRIPTION	DATE	APPROVED
	A	VARIOUS UPDATES	8/28/17	



NOTES:
 -S4 SUFFIX INDICATES ALL FLOATS ARE NORMALLY CLOSED FLOATS.
 -32 SUFFIX INDICATES CUSTOM LABELING THAT MAY DIFFER FROM THE STANDARD LABELING AND/OR NORMALLY OPEN AND NORMALLY CLOSED MAY DIFFER FROM DRAWING ABOVE.

----- DASHED LINE INDICATES FIELD WIRING.

USE COPPER CONDUCTORS ONLY.
 TEMPERATURE RATING OF CONDUCTORS IS TO BE 60°C (167°F).
 BRANCH CIRCUIT PROTECTION SHALL BE PROVIDED BY THE INSTALLER; MUST BE SIZED ACCORDING TO PUMP/MOTOR MANUFACTURING SPECIFICATIONS.
 VERIFY CORRECT OPERATION OF CONTROL PANEL AFTER INSTALLATION IS COMPLETE.

DRAWN BY: MM	DATE: 7/23/16
APPROVED BY:	DATE:



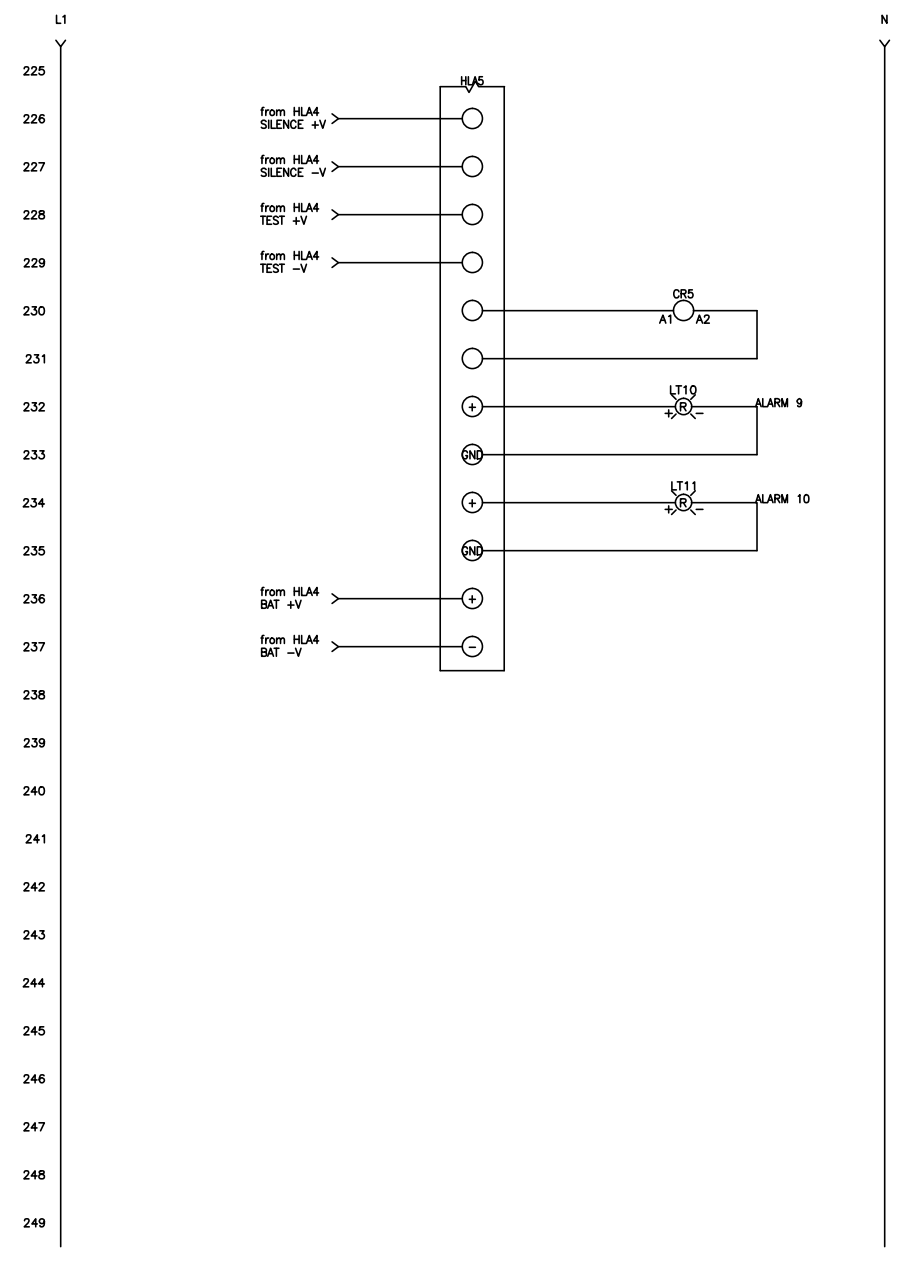
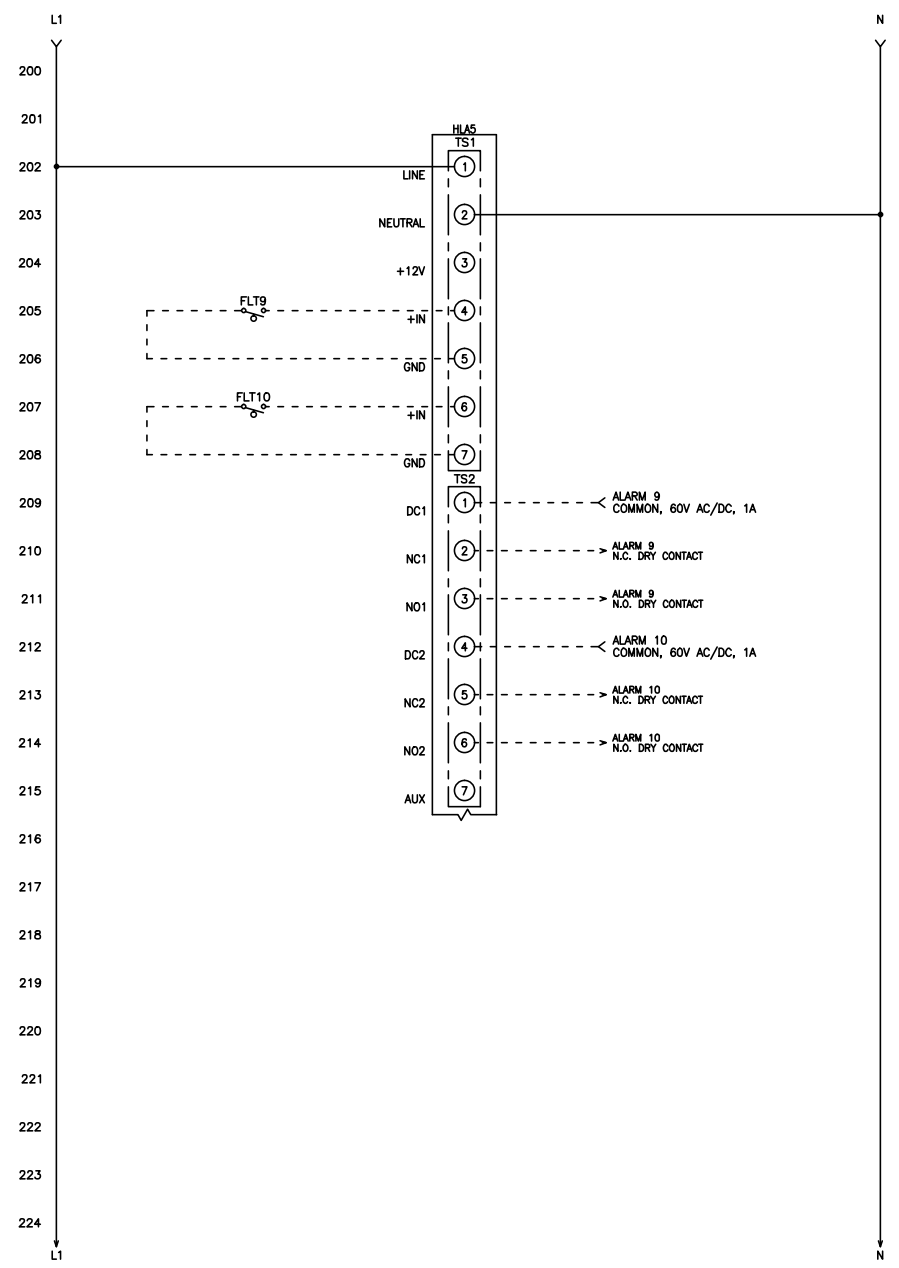
THIS DRAWING CONTAINS PROPRIETARY INFORMATION AND SHALL NOT BE USED OR DISCLOSED WITHOUT PRIOR WRITTEN AUTHORIZATION.

TITLE: HLA-4X-10 CONTROL SCHEMATIC			
SIZE B	DWG NO. 1596	PART NO. HLA-4X-10	REV A
SCALE NONE	SHEET 4 OF 6		

FRAME: HLA-4X-10

REVDATE: 0817

REVISIONS				
ZONE	REV	DESCRIPTION	DATE	APPROVED
	A	VARIOUS UPDATES	8/28/17	



NOTES:
 -S4 SUFFIX INDICATES ALL FLOATS ARE NORMALLY CLOSED FLOATS.
 -32 SUFFIX INDICATES CUSTOM LABELING THAT MAY DIFFER FROM THE STANDARD LABELING AND/OR NORMALLY OPEN AND NORMALLY CLOSED MAY DIFFER FROM DRAWING ABOVE.

----- DASHED LINE INDICATES FIELD WIRING.

USE COPPER CONDUCTORS ONLY.
 TEMPERATURE RATING OF CONDUCTORS IS TO BE 60°C (167°F).
 BRANCH CIRCUIT PROTECTION SHALL BE PROVIDED BY THE INSTALLER; MUST BE SIZED ACCORDING TO PUMP/MOTOR MANUFACTURING SPECIFICATIONS.
 VERIFY CORRECT OPERATION OF CONTROL PANEL AFTER INSTALLATION IS COMPLETE.

DRAWN BY: MM DATE: 7/23/16
 APPROVED BY: DATE:



THIS DRAWING CONTAINS PROPRIETARY INFORMATION AND SHALL NOT BE USED OR DISCLOSED WITHOUT PRIOR WRITTEN AUTHORIZATION.

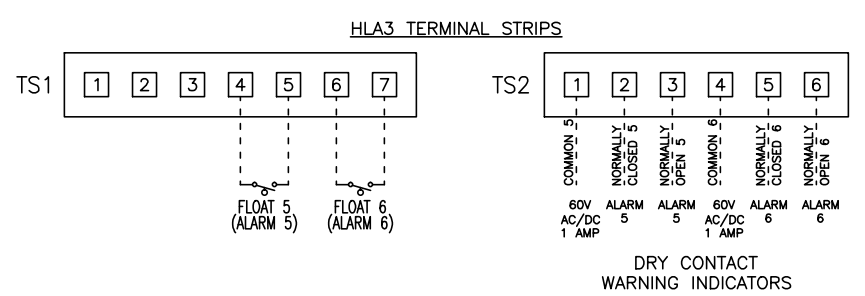
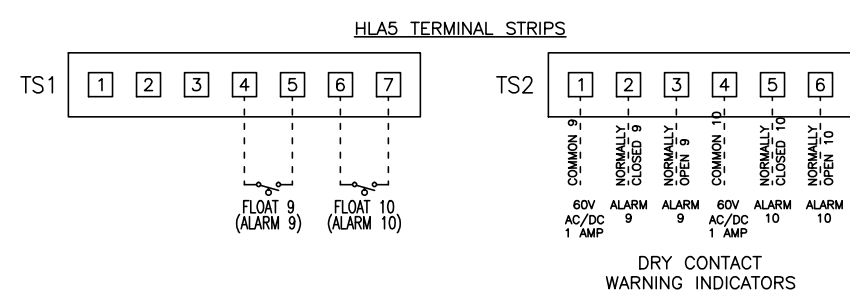
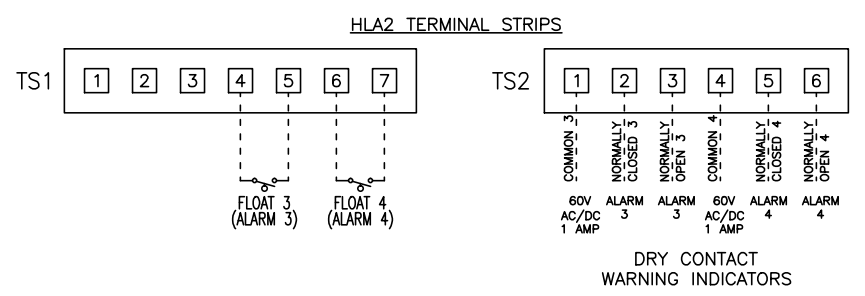
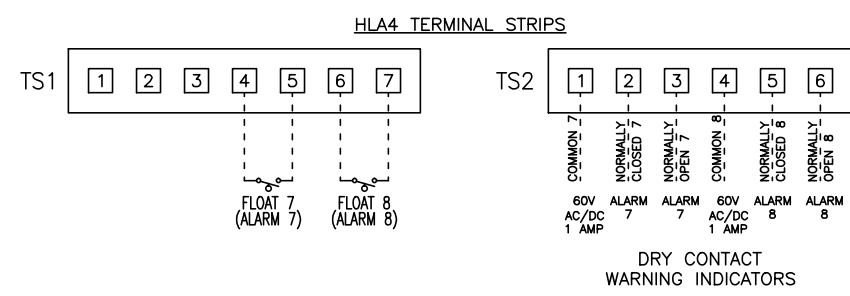
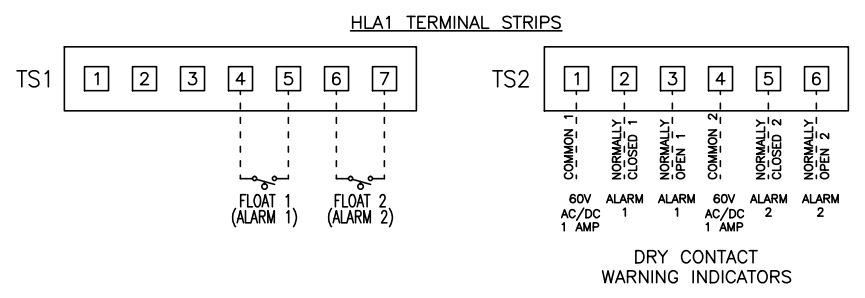
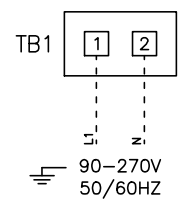
TITLE: HLA-4X-10 CONTROL SCHEMATIC			
SIZE B	DWG NO. 1596	PART NO. HLA-4X-10	REV A
SCALE NONE	SHEET 5 OF 6		

FRAME: HLA-4X-10

REVDATE: 0817

REVISIONS				
ZONE	REV	DESCRIPTION	DATE	APPROVED
	A	VARIOUS UPDATES	8/28/17	

FIELD WIRING CONNECTIONS



NOTES:

-S4 SUFFIX INDICATES ALL FLOATS ARE NORMALLY CLOSED FLOATS.

-32 SUFFIX INDICATES CUSTOM LABELING THAT MAY DIFFER FROM THE STANDARD LABELING AND/OR NORMALLY OPEN AND NORMALLY CLOSED MAY DIFFER FROM DRAWING ABOVE.

----- DASHED LINE INDICATES FIELD WIRING.

USE COPPER CONDUCTORS ONLY.

TEMPERATURE RATING OF CONDUCTORS IS TO BE 60°C (167°F).

BRANCH CIRCUIT PROTECTION SHALL BE PROVIDED BY THE INSTALLER; MUST BE SIZED ACCORDING TO PUMP/MOTOR MANUFACTURING SPECIFICATIONS.

VERIFY CORRECT OPERATION OF CONTROL PANEL AFTER INSTALLATION IS COMPLETE.

DRAWN BY:	DATE:
MM	7/23/16
APPROVED BY:	DATE:



THIS DRAWING CONTAINS PROPRIETARY INFORMATION AND SHALL NOT BE USED OR DISCLOSED WITHOUT PRIOR WRITTEN AUTHORIZATION.

TITLE:			
HLA-4X-10 CONTROL SCHEMATIC			
SIZE	DWG NO.	PART NO.	REV
B	1596	HLA-4X-10	A
SCALE	NONE	SHEET	6 OF 6