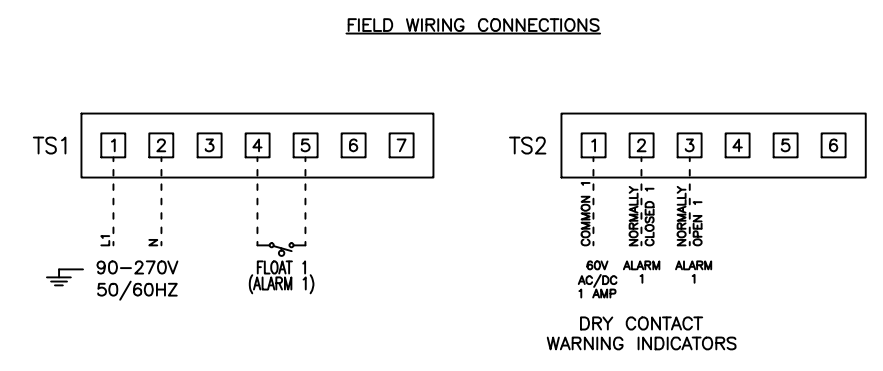
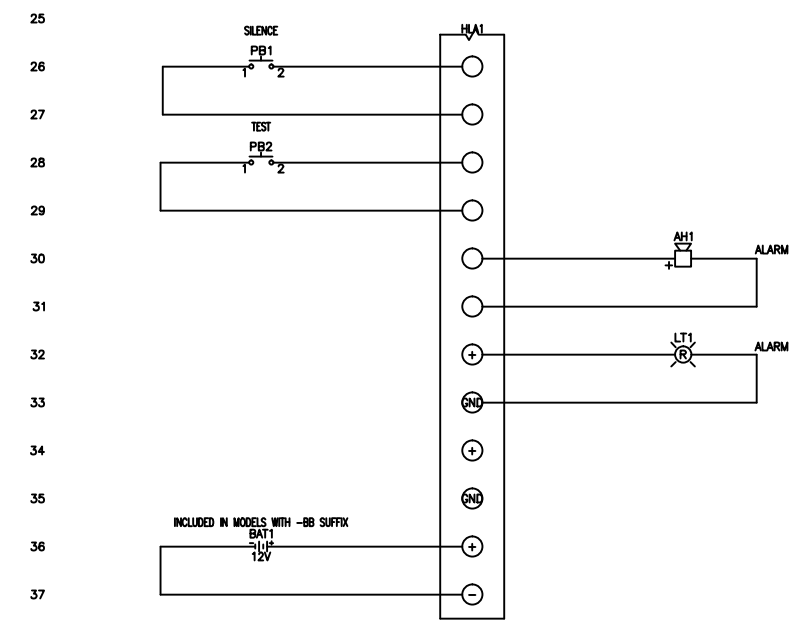
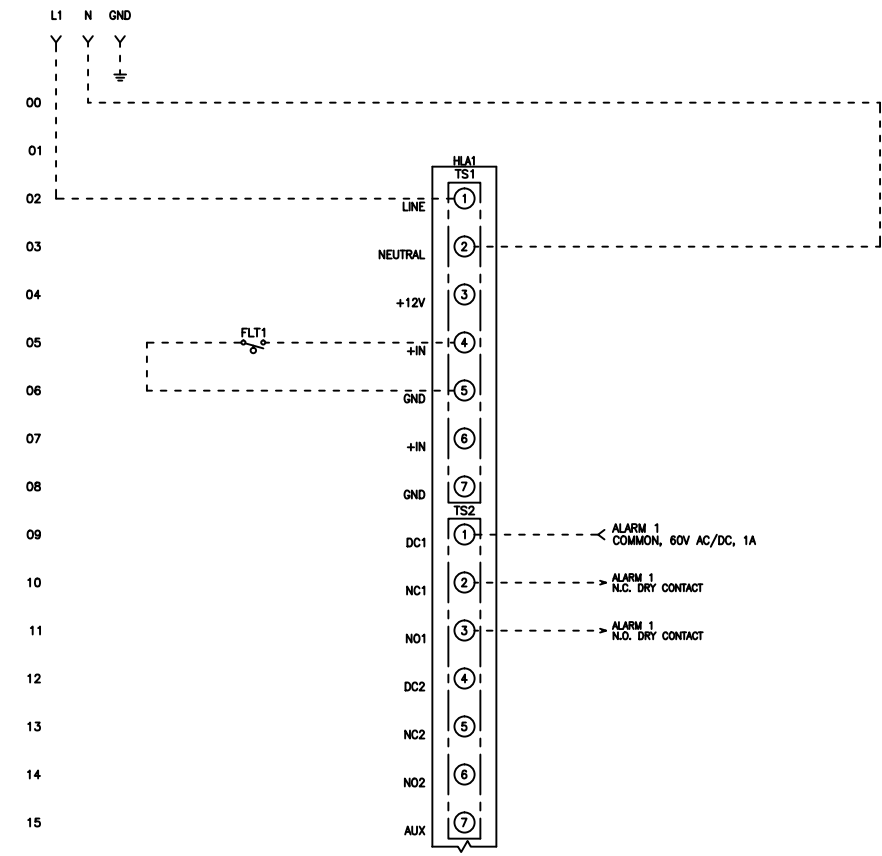


FRAME: HLA-4X

REDATE: 0917

REVISIONS				
ZONE	REV	DESCRIPTION	DATE	APPROVED
	A	ALARM RELAY REMOVAL	9/1/17	



NOTES:  
 -S4 SUFFIX INDICATES ALL FLOATS ARE NORMALLY CLOSED FLOATS.  
 -32 SUFFIX INDICATES CUSTOM LABELING THAT MAY DIFFER FROM THE STANDARD LABELING AND/OR NORMALLY OPEN AND NORMALLY CLOSED MAY DIFFER FROM DRAWING ABOVE.

----- DASHED LINE INDICATES FIELD WIRING.

USE COPPER CONDUCTORS ONLY.  
 TEMPERATURE RATING OF CONDUCTORS IS TO BE 60°C (167°F).  
 BRANCH CIRCUIT PROTECTION SHALL BE PROVIDED BY THE INSTALLER; MUST BE SIZED ACCORDING TO PUMP/MOTOR MANUFACTURING SPECIFICATIONS.  
 VERIFY CORRECT OPERATION OF CONTROL PANEL AFTER INSTALLATION IS COMPLETE.

DRAWN BY: MM	DATE: 8/28/17	<b>SEEWATER</b> <i>Inc.</i>			
APPROVED BY:	DATE:				
THIS DRAWING CONTAINS PROPRIETARY INFORMATION AND SHALL NOT BE USED OR DISCLOSED WITHOUT PRIOR WRITTEN AUTHORIZATION.		TITLE: HLA-4X CONTROL SCHEMATIC			
		SIZE B	DWG NO. 220	PART NO. HLA-4X	REV A
		SCALE NONE	SHEET 1 OF 1		