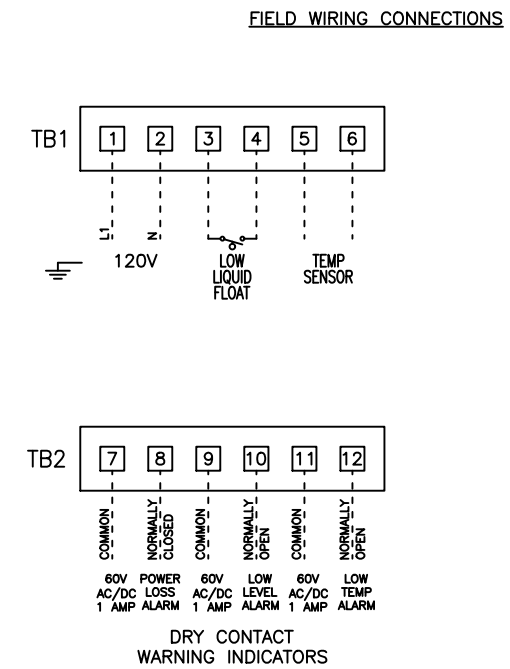
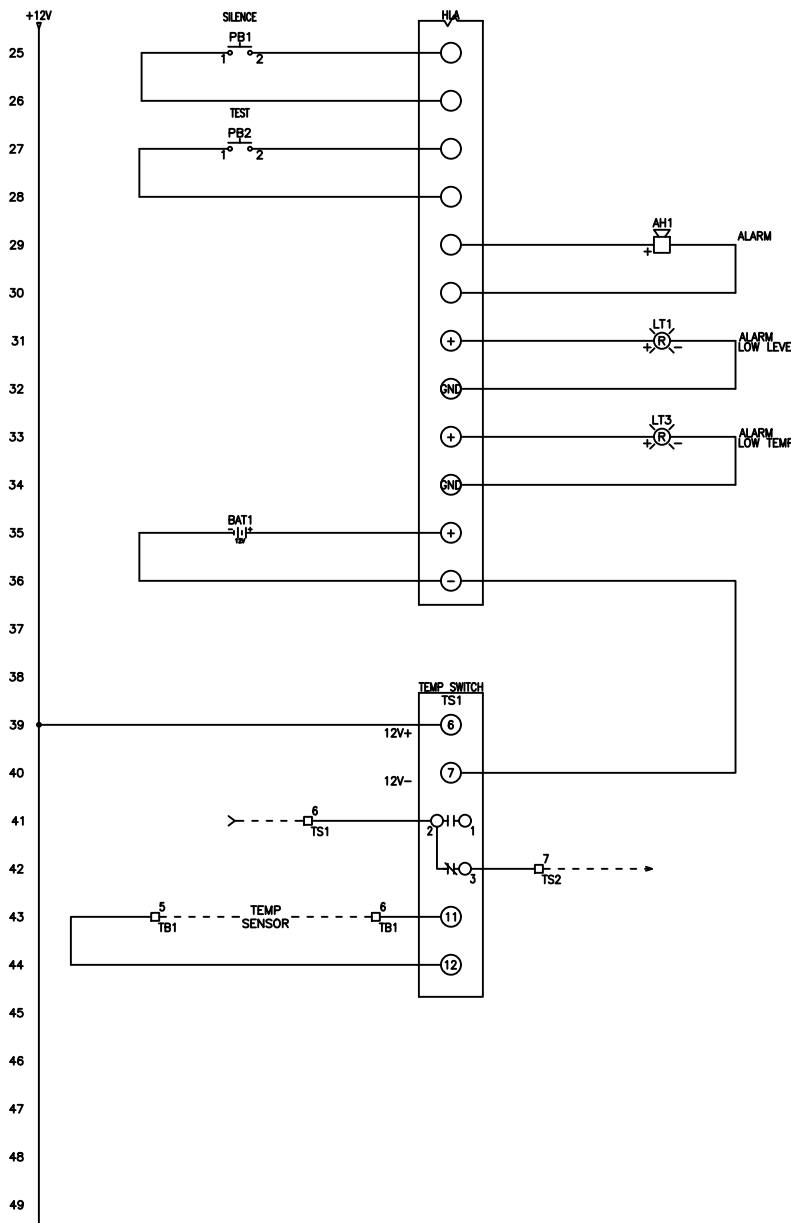
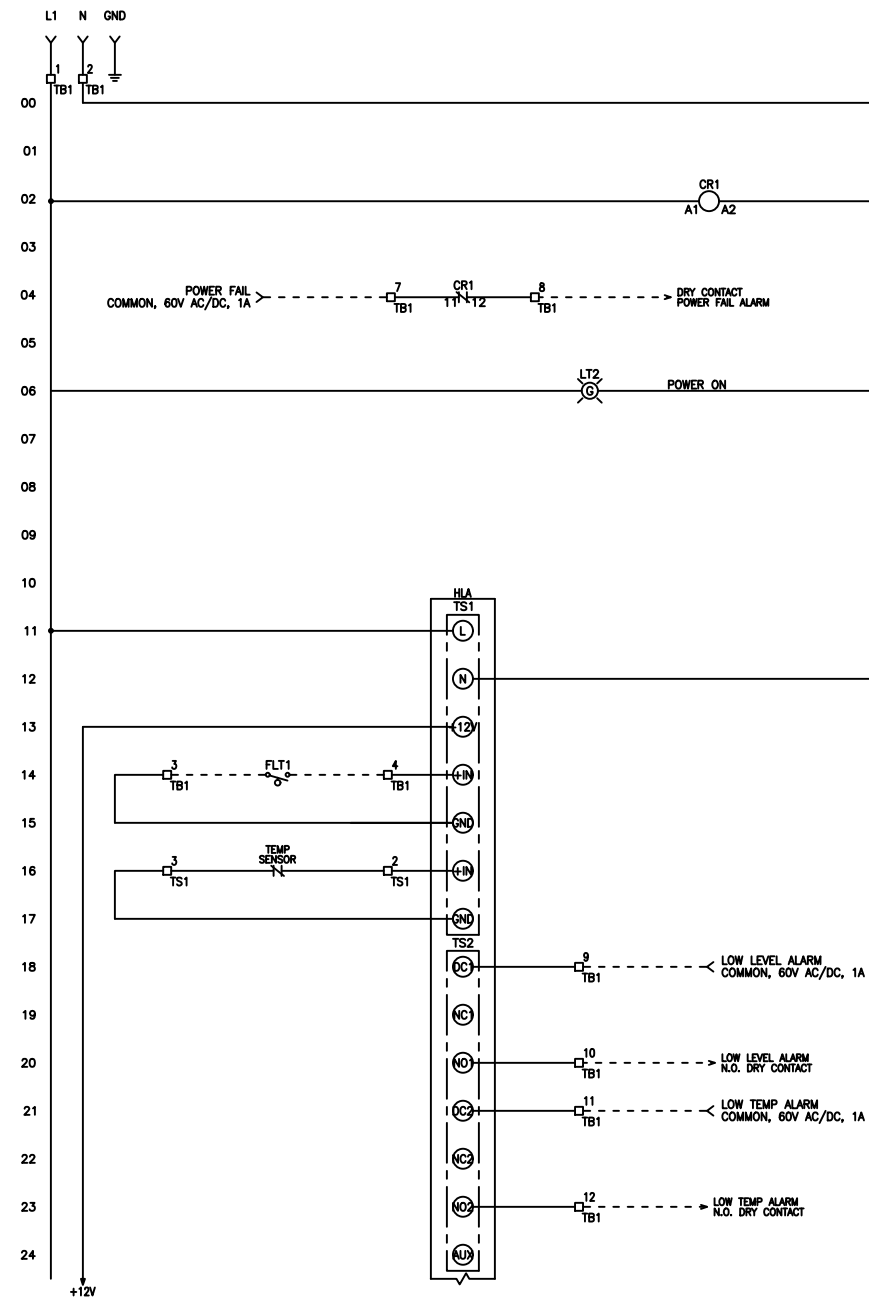


FRAME: FC-40


REVDATE: 0618

REVISIONS				
ZONE	REV	DESCRIPTION	DATE	APPROVED
	A	UPDATED CONTENT FOR NEW LAYOUT	6/11/18	



----- DASHED LINE INDICATES FIELD WIRING.

USE COPPER CONDUCTORS ONLY.
 TEMPERATURE RATING OF CONDUCTORS IS TO BE 60°C (167°F).
 BRANCH CIRCUIT PROTECTION SHALL BE PROVIDED BY THE INSTALLER. MUST BE SIZED ACCORDING TO PUMP/MOTOR MANUFACTURING SPECIFICATIONS.
 VERIFY CORRECT OPERATION OF CONTROL PANEL AFTER INSTALLATION IS COMPLETE.

DRAWN BY: MM		DATE: 4/5/15			
APPROVED BY:		DATE:			
TITLE: FC-40 CONTROL SCHEMATIC					
SIZE: B	DWG NO. 1547	PART NO. FC-40		REV A	
SCALE: NONE			SHEET 1 OF 1		

THIS DRAWING CONTAINS PROPRIETARY INFORMATION AND SHALL NOT BE USED OR DISCLOSED WITHOUT PRIOR WRITTEN AUTHORIZATION.