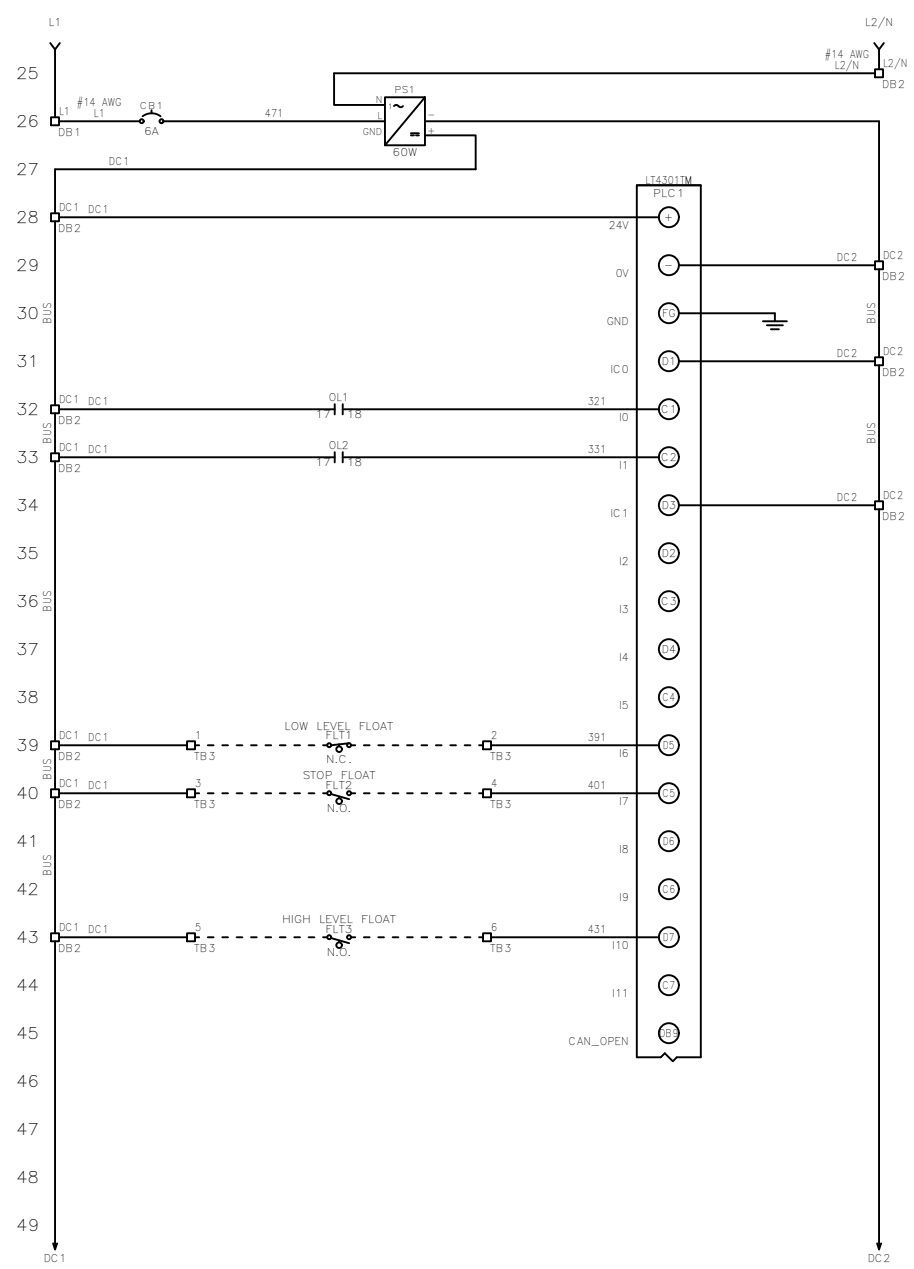
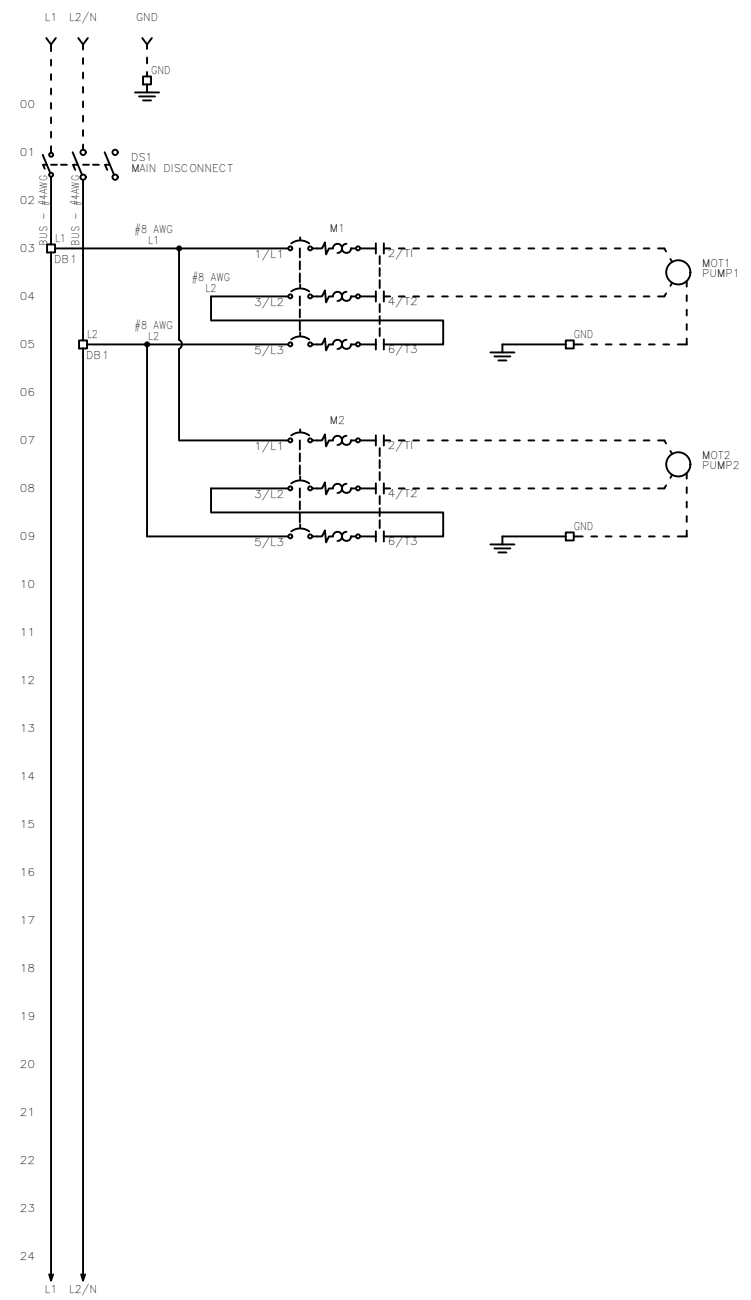


FNAME: HTRD-13-X

REVDATE: 0420

| REVISIONS | | | | |
|-----------|-----|-------------|------|----------|
| ZONE | REV | DESCRIPTION | DATE | APPROVED |
| | | | | |



----- DASHED LINE INDICATES FIELD WIRING.

USE COPPER CONDUCTORS ONLY.

TEMPERATURE RATING OF CONDUCTORS IS TO BE:
 60°C (140°F) FOR UNDER 100A.
 75°C (167°F) FOR OVER 100A.

BRANCH CIRCUIT PROTECTION SHALL BE PROVIDED BY THE INSTALLER: MUST BE SIZED ACCORDING TO PUMP/MOTOR MANUFACTURING SPECIFICATIONS.

VERIFY CORRECT OPERATION OF CONTROL PANEL AFTER INSTALLATION IS COMPLETE.

| FIELD WIRING TORQUE SPECS. | | UL #: | DRAWN BY: | DATE: |
|----------------------------|-----------|------------------------|-----------------|---------|
| TERMINAL BLOCK UT 2,5 | 5 IN-LB | E320866 | AO | 4/13/20 |
| TERMINAL BLOCK UT 4 | 7 IN-LB | | APPROVED BY: | DATE: |
| TERMINAL BLOCK UT 6 | 15 IN-LB | TOTAL FLA: | KM | 4/13/20 |
| TERMINAL BLOCK UT 10 | 15 IN-LB | 66 A | | |
| TERMINAL BLOCK UT 16 | 25 IN-LB | LARGEST MOT. FLA | | |
| TERMINAL BLOCK UT 35 | 30 IN-LB | 32.0 A | | |
| TS1, TS2, J2 & J3 PCB | 5 IN-LB | VOLTAGE: | PHASE: | |
| TRANSFORMER H1F, H2F & H3F | 15 IN-LB | 120/208/240 VAC | 1 PH | |
| TRANSFORMER H1, H2 & H3 | 10 IN-LB | FREQUENCY: | ENCLOSURE TYPE: | |
| DS1 VLS3P63-125 R1 | 45 IN-LB | 60 Hz | NEMA 3R | |
| DS1 LK4JU3CN 100A | 36 IN-LB | SHORT CIRCUIT CURRENT: | | |
| DS1 LK4MU3N 200A | 200 IN-LB | 5KA RMS SYMMETRICAL | | |
| M1/ M2 T1, T2 & T3 | 15 IN-LB | 600V MAXIMUM | | |

THIS DRAWING CONTAINS PROPRIETARY INFORMATION AND SHALL NOT BE USED OR DISCLOSED WITHOUT PRIOR WRITTEN AUTHORIZATION.

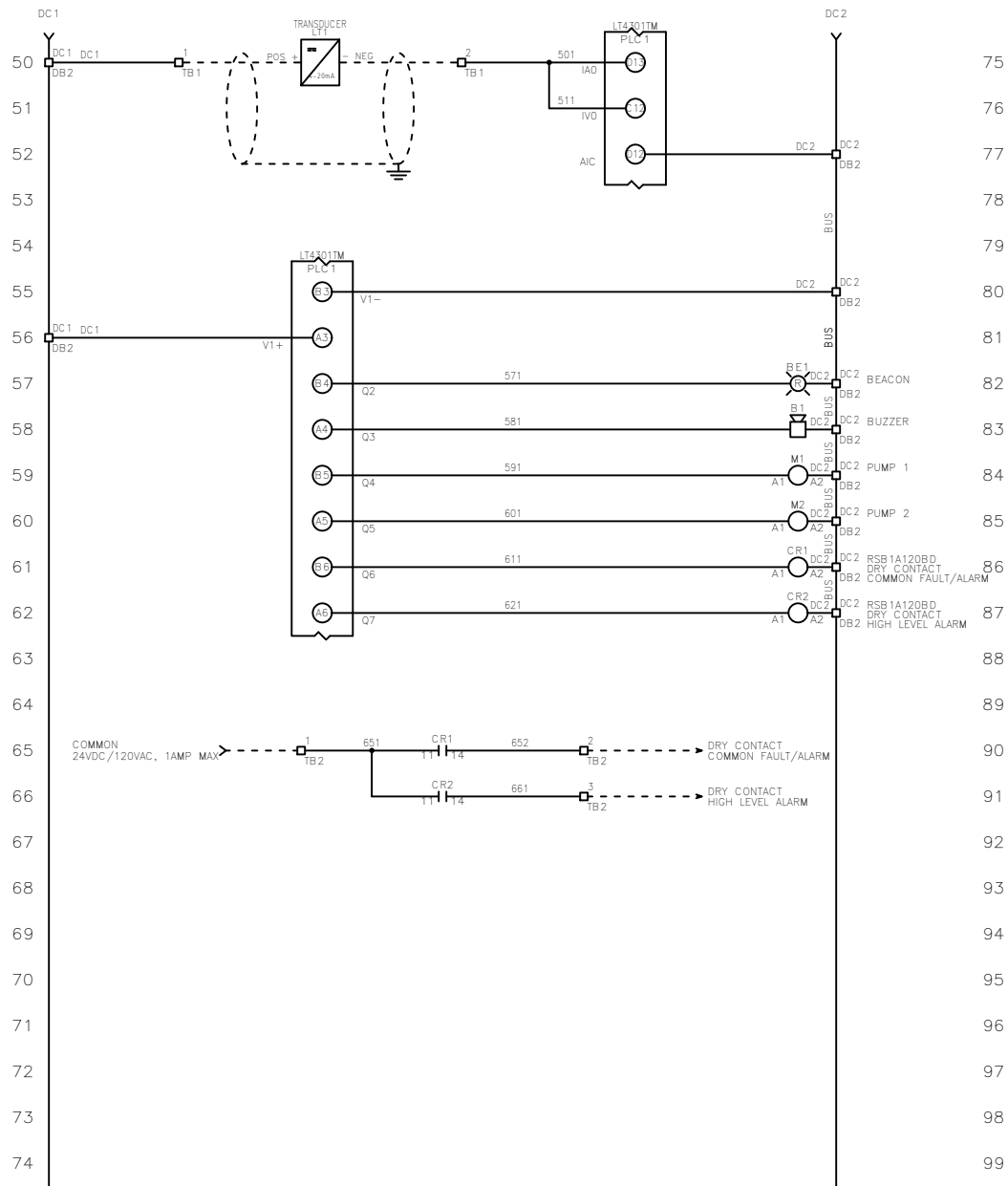


| | | | |
|--------------------------------|---------|-----------|--------|
| TITLE: | | | |
| HTRD-13-X CONTROL SCHEMATIC | | | |
| SIZE | DWG NO. | PART NO. | REV |
| B | 1572 | HTRD-13-X | |
| SCALE | NONE | SHEET | 1 OF 2 |

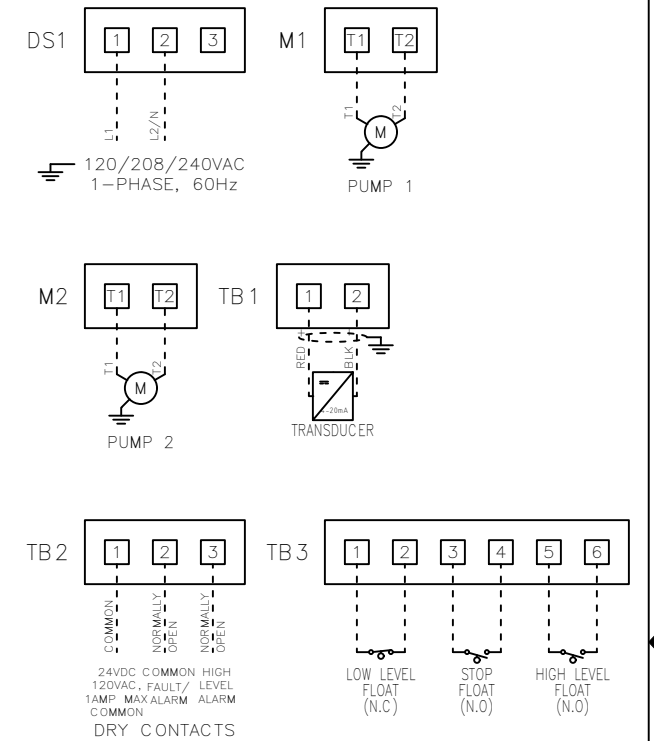
FNAME: HTRD-13-X

REVDATE: 0420

| REVISIONS | | | | |
|-----------|-----|-------------|------|----------|
| ZONE | REV | DESCRIPTION | DATE | APPROVED |
| | | | | |



FIELD WIRING CONNECTIONS



----- DASHED LINE INDICATES FIELD WIRING.

USE COPPER CONDUCTORS ONLY.

TEMPERATURE RATING OF CONDUCTORS IS TO BE:
60°C (140°F) FOR UNDER 100A.
75°C (167°F) FOR OVER 100A.

BRANCH CIRCUIT PROTECTION SHALL BE PROVIDED BY THE INSTALLER: MUST BE SIZED ACCORDING TO PUMP/MOTOR MANUFACTURING SPECIFICATIONS.

VERIFY CORRECT OPERATION OF CONTROL PANEL AFTER INSTALLATION IS COMPLETE.

| FIELD WIRING TORQUE SPECS. | |
|----------------------------|-----------|
| TERMINAL BLOCK UT 2,5 | 5 IN-LB |
| TERMINAL BLOCK UT 4 | 7 IN-LB |
| TERMINAL BLOCK UT 6 | 15 IN-LB |
| TERMINAL BLOCK UT 10 | 15 IN-LB |
| TERMINAL BLOCK UT 16 | 25 IN-LB |
| TERMINAL BLOCK UT 35 | 30 IN-LB |
| TS1, TS2, J2 & J3 PCB | 5 IN-LB |
| TRANSFORMER H1F, H2F & H3F | 15 IN-LB |
| TRANSFORMER H1, H2 & H3 | 10 IN-LB |
| DS1 VLS3P63-125 R1 | 45 IN-LB |
| DS1 LK4JU3CN 100A | 36 IN-LB |
| DS1 LK4MU3N 200A | 200 IN-LB |
| M1/ M2 T1, T2 & T3 | 15 IN-LB |

| | |
|------------------------|-------------------------------------|
| UL #: | E320866 |
| TOTAL FLA: | 66 A |
| LARGEST MOT. FLA: | 32.0 A |
| VOLTAGE: | 120/208/240 VAC |
| PHASE: | 1 PH |
| FREQUENCY: | 60 Hz |
| ENCLOSURE TYPE: | NEMA 3R |
| SHORT CIRCUIT CURRENT: | 5KA RMS SYMMETRICAL 600V MAXIMUM |

| | | | |
|---|----|-------|---------|
| DRAWN BY: | AO | DATE: | 4/13/20 |
| APPROVED BY: | KM | DATE: | 4/13/20 |
| THIS DRAWING CONTAINS PROPRIETARY INFORMATION AND SHALL NOT BE USED OR DISCLOSED WITHOUT PRIOR WRITTEN AUTHORIZATION. | | | |



| | | | |
|--------------------------------|---------|-----------|--------|
| TITLE: | | | |
| HTRD-13-X CONTROL SCHEMATIC | | | |
| SIZE | DWG NO. | PART NO. | REV |
| B | 1572 | HTRD-13-X | |
| SCALE | NONE | SHEET | 2 OF 2 |