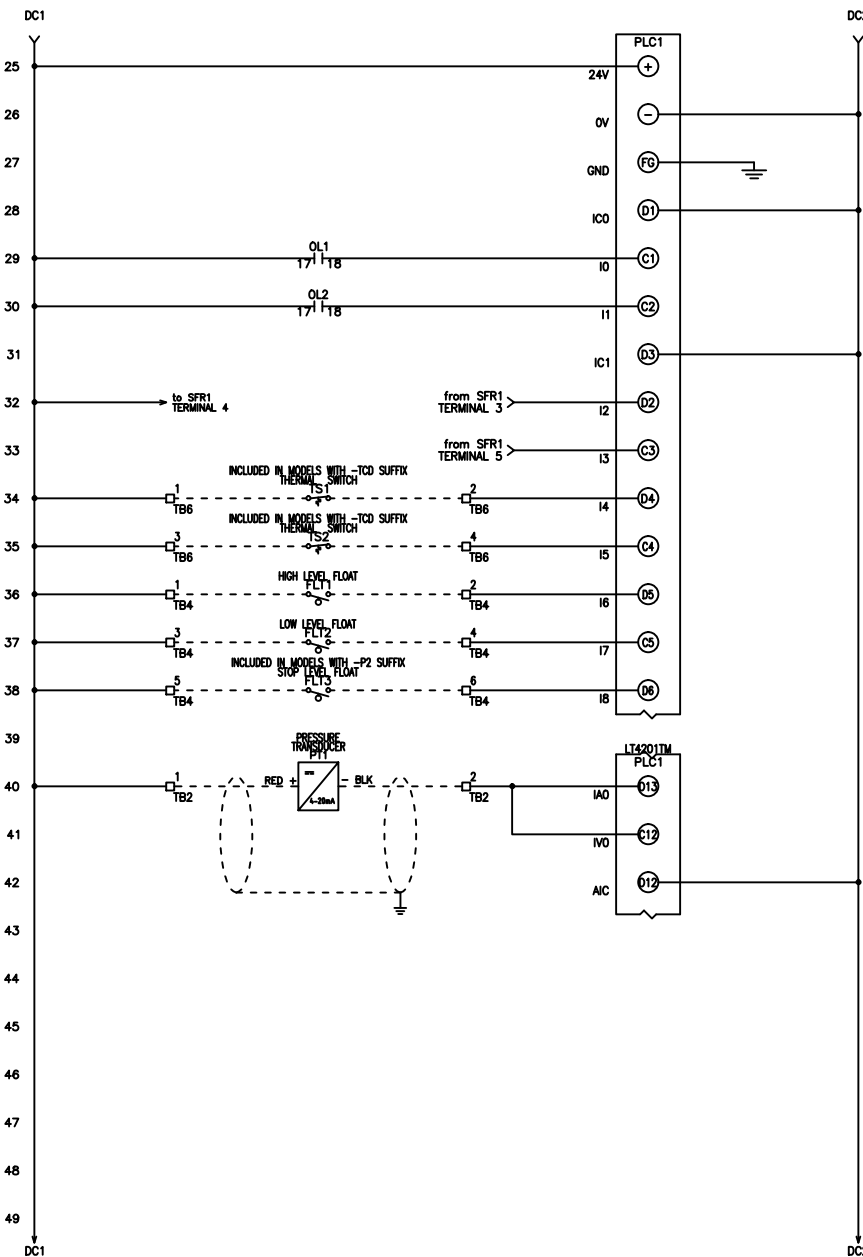
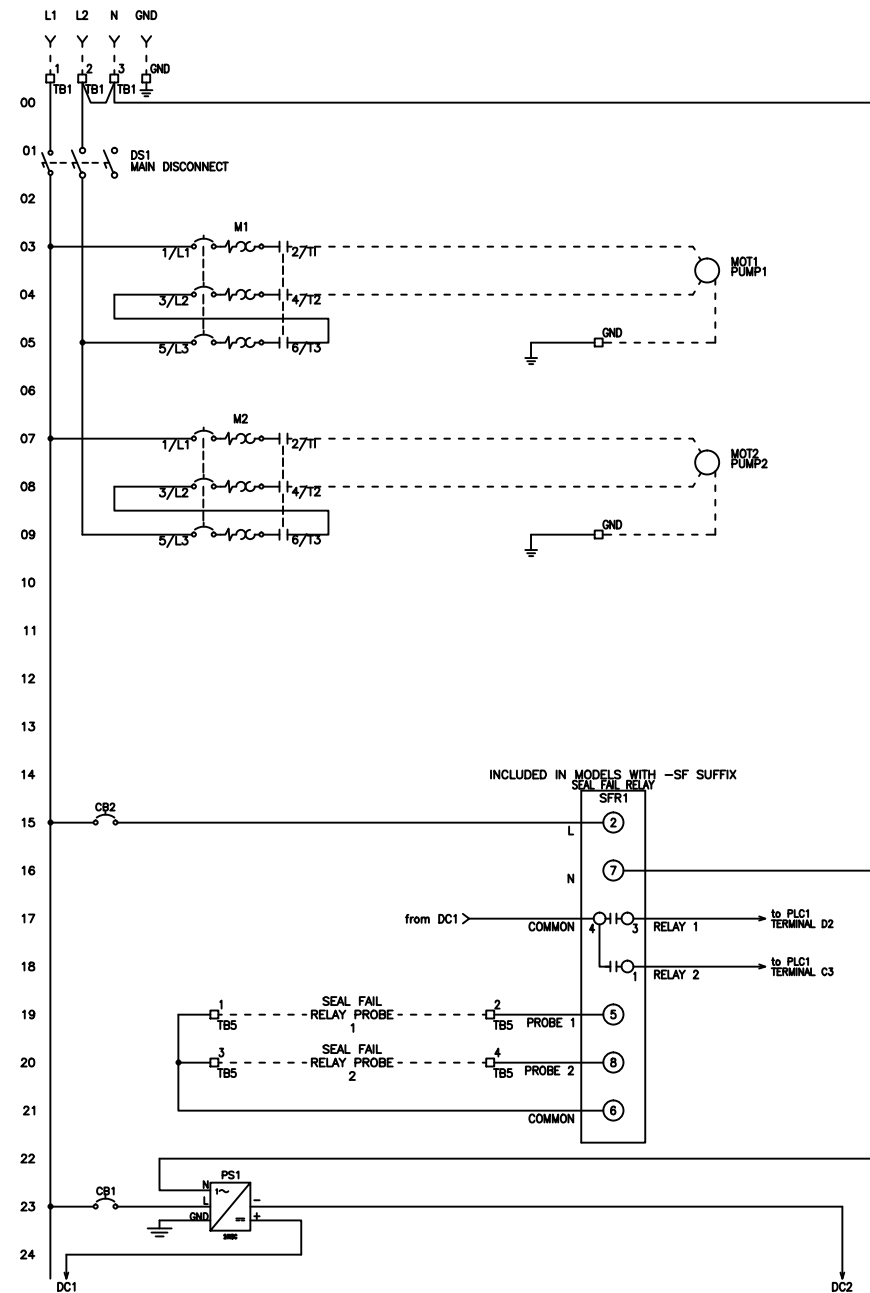


FRAME: HTRD-1X

REVDATE: 0817

REVISIONS				
ZONE	REV	DESCRIPTION	DATE	APPROVED
	A	ADDITION OF STOP LEVEL FLOAT OPTION	8/3/17	



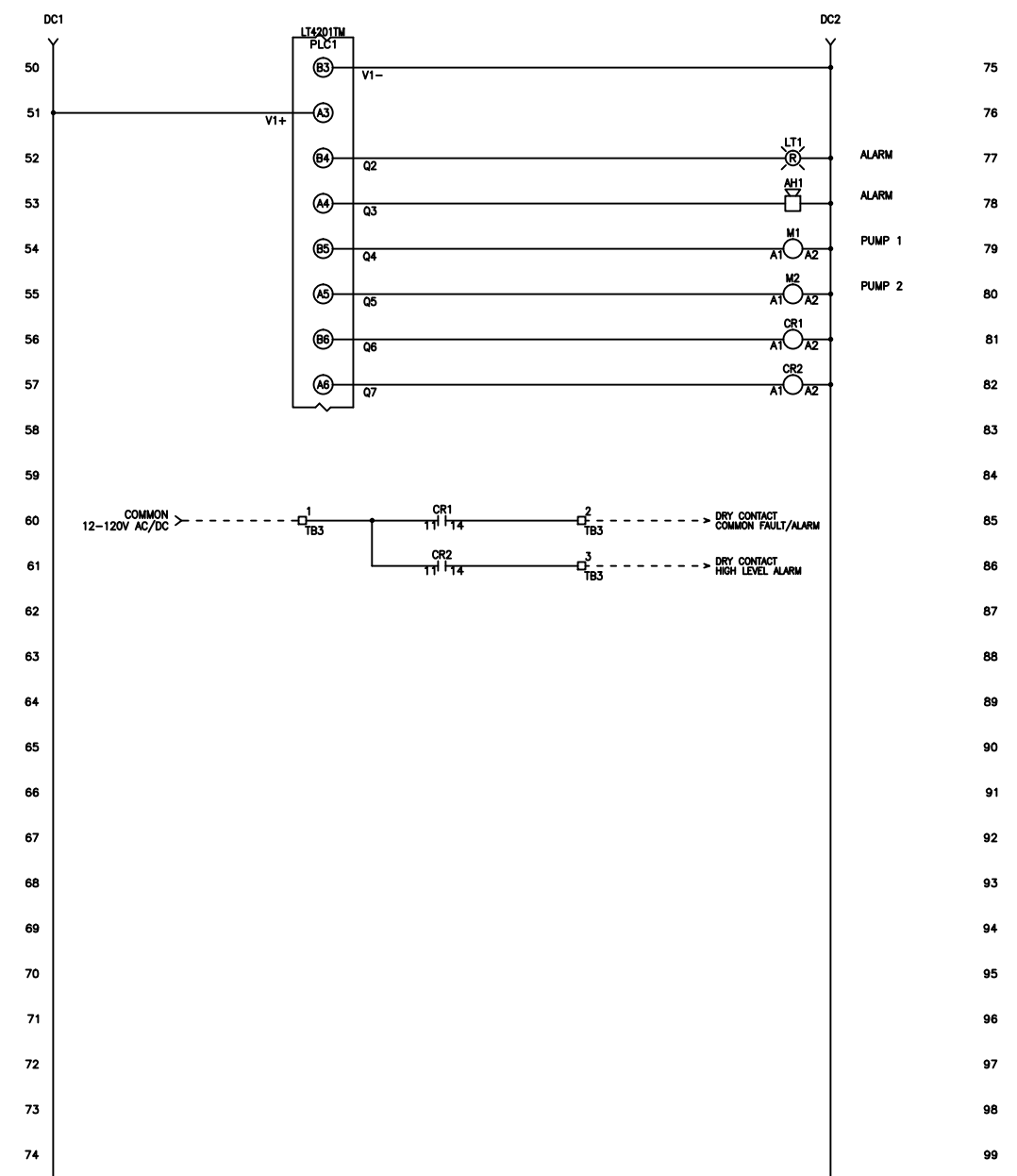
----- DASHED LINE INDICATES FIELD WIRING.

USE COPPER CONDUCTORS ONLY.  
 TEMPERATURE RATING OF CONDUCTORS IS TO BE 60°C (167°F).  
 BRANCH CIRCUIT PROTECTION SHALL BE PROVIDED BY THE INSTALLER; MUST BE SIZED ACCORDING TO PUMP/MOTOR MANUFACTURING SPECIFICATIONS.  
 VERIFY CORRECT OPERATION OF CONTROL PANEL AFTER INSTALLATION IS COMPLETE.

DRAWN BY: MM	DATE: 11/16/16	<b>SEEWATER</b> <i>inc.</i>			
APPROVED BY:	DATE:				
THIS DRAWING CONTAINS PROPRIETARY INFORMATION AND SHALL NOT BE USED OR DISCLOSED WITHOUT PRIOR WRITTEN AUTHORIZATION.		TITLE: HTRD-1X CONTROL SCHEMATIC			
		SIZE B	DWG NO. 1606	PART NO. HTRD-1X	REV A
		SCALE NONE	SHEET 1 OF 2		

REVDATE: 0817 FNAME: HTRD-1X

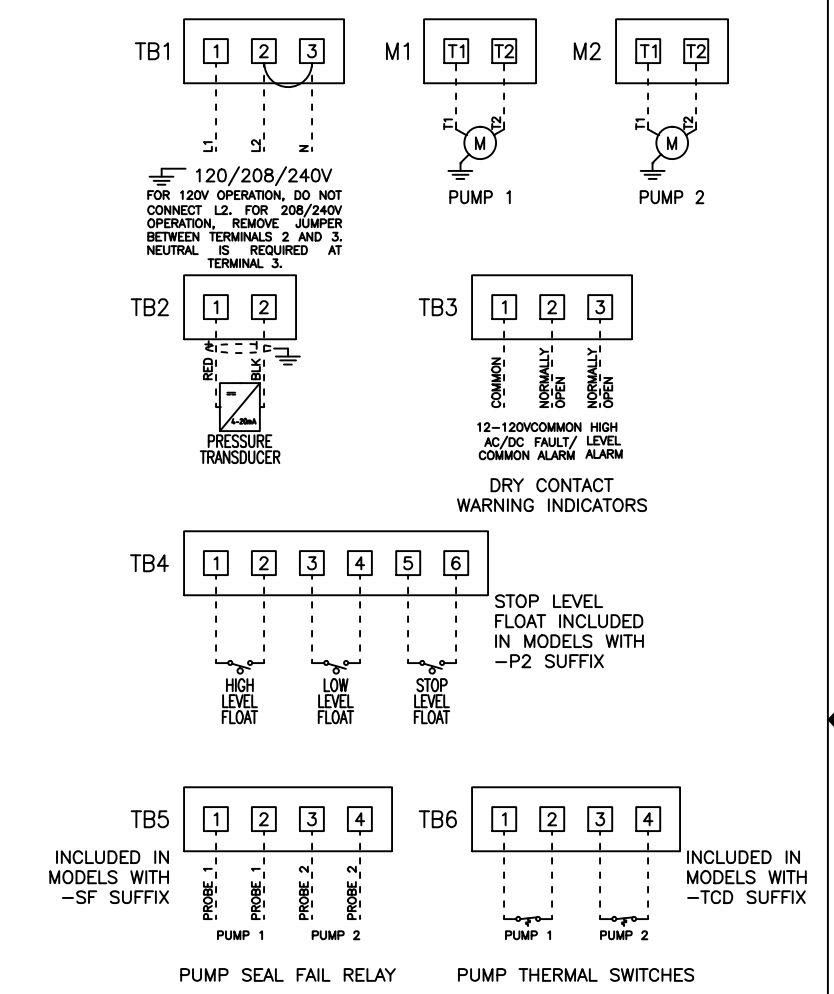
REVISIONS				
ZONE	REV	DESCRIPTION	DATE	APPROVED
	A	ADDITION OF STOP LEVEL FLOAT OPTION	8/3/17	



50  
51  
52  
53  
54  
55  
56  
57  
58  
59  
60  
61  
62  
63  
64  
65  
66  
67  
68  
69  
70  
71  
72  
73  
74

75  
76  
77  
78  
79  
80  
81  
82  
83  
84  
85  
86  
87  
88  
89  
90  
91  
92  
93  
94  
95  
96  
97  
98  
99

FIELD WIRING CONNECTIONS



----- DASHED LINE INDICATES FIELD WIRING.

USE COPPER CONDUCTORS ONLY.  
TEMPERATURE RATING OF CONDUCTORS IS TO BE 60°C (167°F).  
BRANCH CIRCUIT PROTECTION SHALL BE PROVIDED BY THE INSTALLER; MUST BE SIZED ACCORDING TO PUMP/MOTOR MANUFACTURING SPECIFICATIONS.  
VERIFY CORRECT OPERATION OF CONTROL PANEL AFTER INSTALLATION IS COMPLETE.

DRAWN BY: MM		DATE: 11/16/16			
APPROVED BY:		DATE:			
TITLE: HTRD-1X CONTROL SCHEMATIC					
SIZE B	DWG NO. 1606	PART NO. HTRD-1X		REV A	
SCALE NONE		SHEET 2 OF 2			

THIS DRAWING CONTAINS PROPRIETARY INFORMATION AND SHALL NOT BE USED OR DISCLOSED WITHOUT PRIOR WRITTEN AUTHORIZATION.